

XPEX LED Series

Explosion proof edge lit
LED exit light

RIG-A-LITE™
An Avail Infrastructure Solutions Company



Classifications

- Class I, Division 1, Groups C & D
- Class II, Division 1, Groups E, F & G
- Class III
- Class I, Zone 1, Groups IIA, IIB,
- UL 844, 8750 & UL924
- UL 1598A Marine Outside Type
- Temperature Class (T-Rating)-T6
- CSA C22.2 No. 250.0-08
- CSA C22.2 No. 141-10
- Patent No. 7,287,347
- IP65
- Buy American Act (BAA) Compliant



availinfra.com/rig-a-lite

8500 Hansen Road,
Houston, TX 77075
(713) 943-0340

XPEX LED Series

Explosion proof edge lit LED exit light

Key Features

- 1 Emergency battery back-up integral to sign (no additional enclosure required)
- 2 3-hour emergency operation
- 3 Optional battery back-up self-diagnostic feature
- 4 Field replaceable LED circuit boards and drivers with quick disconnects
- 5 Edge-lit sign



Additional Features

- Wall, pendant and end mounting options
- Alternate exit legend and languages available
- Single- or double-sided option
- Sealed NiCad batteries
- Provided with three (3) 1/2 " NPT hubs
- Red or green LED options

Standard Materials

Body:

A356T6 aluminum (less than .4% copper content)
with baked-on gray epoxy finish

Gasket:

One-Piece Silicone

Sign:

Acrylic

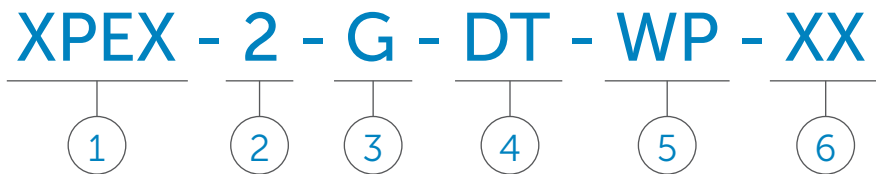
Hardware:

Stainless Steel

XPEX LED Series

Explosion proof edge lit LED exit light

Catalog Number Logic



1
BASIC SERIES
XPEX Explosion Proof LED Exit Light

2
NUMBER OF FACES
1 = Single Face
2 = Double Face

3
LEGEND COLOR
R = Red
G = Green

4
VOLTAGE / FREQUENCY
DT = 120/277V 60HZ
24 = 220-240V 50/60HZ
Other voltages available - consult factory

5
MOUNTING
WP = Wall/Pendant Mounting
EB = End Bracket

6
OPTIONS¹
EM = Emergency Battery Backup
EU = Green Running Man Exit Legend
SD = Self Diagnostics
X = Exit Legend in Other Languages
Language Must Be Specified

¹ Consult factory for pricing.

Catalog logic is for explaining catalog number structure only. Not all combinations are possible; consult factory for catalog numbers not listed in charts.

Maximum Input Power

Red no battery - 1.5 Watts
Red with battery - 2.5 Watts
Green no battery - 2.3 Watts
Green with battery - 3.0 Watts

Operating Temperature Range

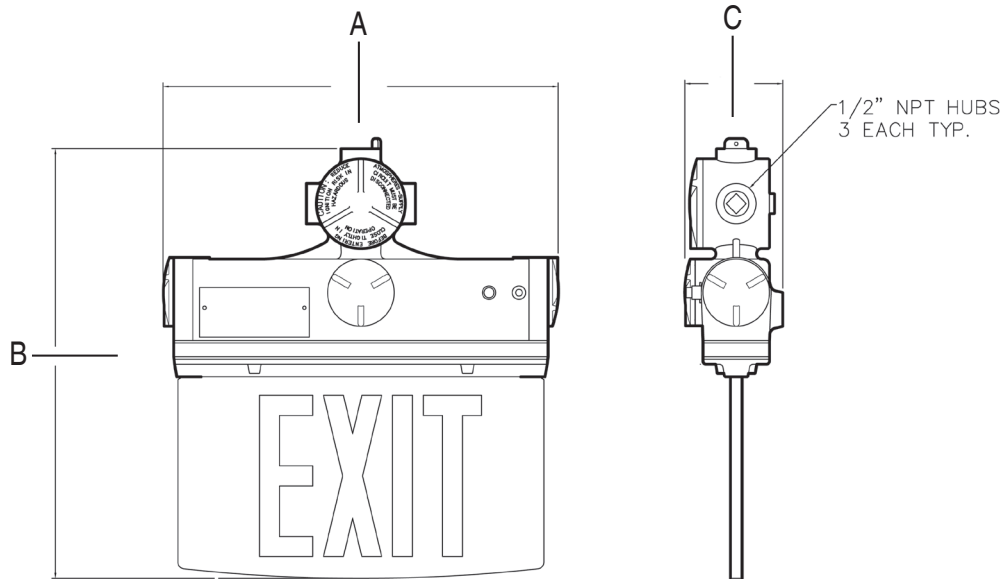
Temperature Rating- T6
Red Legend
+10°C Minimum to +55°C Maximum
Green Legend
+10°C Minimum to +40°C Maximum

XPEX LED Series

Explosion proof edge lit LED exit light

XPEX Series Fixture Dimensions (inches)

XPEX SERIES	Dimensions (inches)			Boxed Weight	Shipping Volume (Boxed Fixtures)
	A	B	C		
XPEX LED Exit Sign/Light	14.88	16.00	3.69	14 lbs	1.24 cu. ft.



An Avail Infrastructure Solutions Company

availinfra.com/rig-a-lite

8500 Hansen Road,
Houston, TX 77075
(713) 943-0340