

LHFLJ Floodlight/High-Bay

LED floodlight/high-bay
for hazardous locations

RIG-A-LITE™
An Avail Infrastructure Solutions Company



Classifications

- Class I, Division 2, Groups A, B, C & D
- Class II, Divisions 1 & 2, Groups E, F & G
- Class III
- Class I, Zone 2, Groups IIA, IIB & IIC
- Zone 22
- UL 1598A Marine Outside Type
- UL 1598 Wet Locations
- UL 8750 LED Safety
- UL 844 Hazardous Locations
- Emergency Battery Backup
- -40°C to 65°C Ambient Temperature


- CAN/CSA C22.2 No. 250.0-08
- CAN/CSA C22.2 No. 137-M1981
- NEMA 4X
- ABS Type Approved
- IP66
- DLC Listed
- Tested to LM79, LM80
- Factory Sealed
- Buy American Act (BAA) Compliant

IECEx

- Ex ec IIC T3 Gc
- -40°C ≤ Ta ≤ 65°C, IP66
- Ex ec nA nC IIC T3 Gc
- -40°C ≤ Ta ≤ 65°C, IP66

- Ex tc IIIC T100°C Dc
- -40°C ≤ Ta ≤ 55°C, IP66
- Certificate: IECEx ETL 20.0058X

ATEX

- CE  II 3 G D
- II 3 G Ex ec IIC T3 Gc
- -40°C ≤ Ta ≤ 65°C, IP66
- II 3 G Ex ec nA nC IIC T3 Gc
- -40°C ≤ Ta ≤ 65°C, IP66
- II 3 D Ex tc IIIC T100°C Dc
- -40°C ≤ Tamb ≤ 55°C, IP66
- Certificate: ITS-I21ATEX28908X



availinfra.com/rig-a-lite

8500 Hansen Road
Houston, TX 77075
(713) 943-0340

LHFLJ Floodlight/High-Bay

LED floodlight/high-bay for hazardous locations

Key Features

- 1 Compact, space-saving design
- 2 High-performance precision optics system
- 3 Driver access plate features stainless steel safety retention chain and captive hardware
- 4 Field replaceable LED circuit boards and drivers with quick disconnects
- 5 Approved for high-ambient applications, up to 65° C
- 6 Two (2) permanent safety cable retention points
- 7 Flexible universal mounting system allows for trunnion or pendant installation



Additional Features

- Versatile trunnion-mount, with 180° range of motion
- Dual hub entries, feed-through capable
- Optional polycarbonate lens
- Terminal block
- Optional emergency battery back-up
- Standard 10kV surge protection
- 5-year warranty

Standard Materials

Body:

A360 aluminum (less than .4% copper content) with baked-on gray epoxy finish

Gaskets:

Silicone

Lens:

Tempered Glass

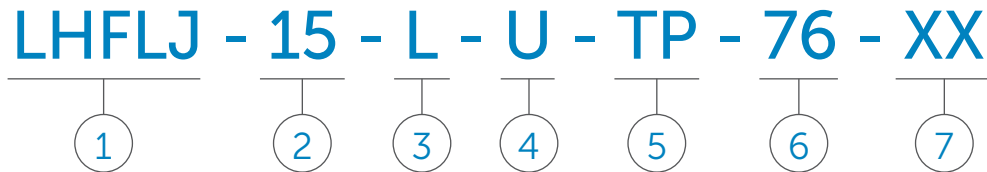
Hardware:

Stainless Steel

LHFLJ Floodlight/High-Bay

LED floodlight/high-bay for hazardous locations

Catalog Number Logic



1

BASIC LUMINAIRE

LHFLJ = N. American Standards
EXLHFLJ = IEC, ATEX Standards

2

LUMENS/WATTS

07 = 8,580 Lumens / 60 Watts
09 = 11,280 Lumens / 80 Watts
12 = 13,050 Lumens / 90 Watts
13 = 14,500 Lumens / 100 Watts
15 = 16,560 Lumens / 115 Watts
17 = 18,892 Lumens / 133 Watts

3

LAMP TYPE

L = LED (5000K CCT)

4

VOLTAGE/FREQUENCY

U = 100 - 277V 50/60 HZ, 127-250 VDC
N = 277 - 480V 50/60 HZ
12 = 120V 60 HZ¹
22 = 220V 50 HZ¹
24 = 240V 60 HZ¹
27 = 277V 60 HZ¹
34 = 347V 60 HZ¹
48 = 480V 60 HZ¹

5

MOUNTING

TP = Straight Trunnion Mount
TA = Angled Trunnion Mount

6

BEAM DISTRIBUTION

76 = 7H x 6V

7

OPTIONS

SC = Safety Cable (Eye Bolt Included)
EB = Eye Bolt
EM = Emergency Battery Backup²
FB1 = Single Fuse Block¹
FB2 = Double Fuse Block¹
PC = Polycarbonate Lens
(Not for EXLHFL Models)
40 = 4000K CCT

¹ When selected, one fuse block is provided for 120V or 277V, two fuse blocks/fuses are provided for 208V – 240V or 480V. Fuse options not available with 347V, fixtures listed for use in Canada, marine listed fixtures or EX Models.

² EM option not available with 347/480V, 127-250V DC or EX Models.

Catalog logic is for explaining catalog number structure only. Not all combinations are possible; consult factory for catalog numbers not listed in charts.

LHFLJ Floodlight/High-Bay

LED floodlight/high-bay for hazardous locations

Certification Guide

LHFLJ

Model	Mount	Watts	Operating Voltage	Total Lumens	Lumens per Watt	CRI	CCT	Ambient Temperature*	Class 1, Div. 2 Group A, B, C, D	Class II Div. 1 Group E, F, G Class III*	Simul Presence	Supply Wire Suitable Temps., °C	Shipping Weight (lbs.)
LHFLJ07LUTP76	Trunnion	60W	100 - 277V 50/60Hz	8,580	143	70	5000	-40°C < Tamb < 65°C	T3	T5	T3	90°C	37
LHFLJ07LNTP76	Trunnion	60W	277 - 480V 50/60Hz	8,580	143	70	5000	-40°C < Tamb < 65°C	T3	T5	T3	90°C	37
LHFLJ09LUTP76	Trunnion	80W	100 - 277V 50/60Hz	11,280	141	70	5000	-40°C < Tamb < 65°C	T3	T5	T3	90°C	37
LHFLJ09LNTP76	Trunnion	80W	277 - 480V 50/60Hz	11,280	141	70	5000	-40°C < Tamb < 65°C	T3	T5	T3	90°C	37
LHFLJ12LUTP76	Trunnion	90W	100 - 277V 50/60Hz	13,050	145	70	5000	-40°C < Tamb < 65°C	T3	T5	T3	90°C	39
LHFLJ12LNTP76	Trunnion	90W	277 - 480V 50/60Hz	12,050	145	70	5000	-40°C < Tamb < 65°C	T3	T5	T3	90°C	39
LHFLJ13LUTP76	Trunnion	100W	100 - 277V 50/60Hz	14,500	145	70	5000	-40°C < Tamb < 65°C	T3	T5	T3	90°C	39
LHFLJ13LNTP76	Trunnion	100W	277 - 480V 50/60Hz	14,500	145	70	5000	-40°C < Tamb < 65°C	T3	T5	T3	90°C	39
LHFLJ15LUTP76	Trunnion	115W	100 - 277V 50/60Hz	16,560	144	70	5000	-40°C < Tamb < 65°C	T3	T5	T3	90°C	39
LHFLJ15LNTP76	Trunnion	115W	277 - 480V 50/60Hz	16,560	144	70	5000	-40°C < Tamb < 65°C	T3	T5	T3	90°C	39
LHFLJ17LUTP76	Trunnion	133W	100 - 277V 50/60Hz	18,892	142	70	5000	-40°C < Tamb < 65°C	T3	T5	T3	90°C	39
LHFLJ17LNTP76	Trunnion	133W	277 - 480V 50/60Hz	18,892	142	70	5000	-40°C < Tamb < 65°C	T3	T5	T3	90°C	39

* Ambient temperature range is -40°C < Tamb < 55°C in Class II, Div. 1 and Class III.

EXLHFLJ

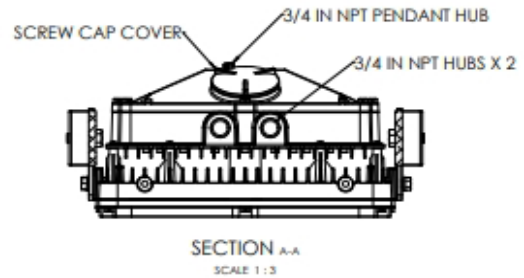
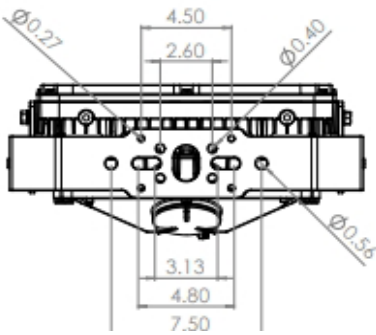
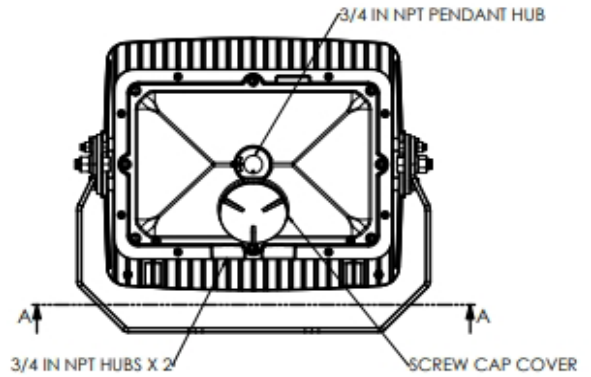
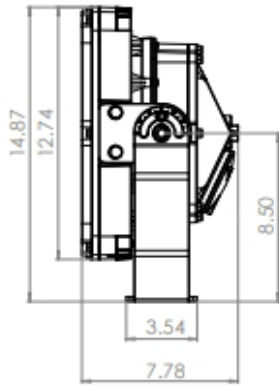
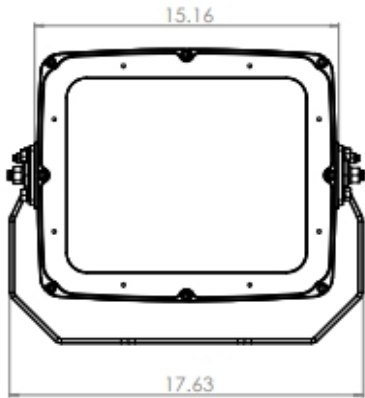
Model	Mount	Watts	Operating Voltage	Total Lumens	Lumens per Watt	CRI	CCT	Ambient Temperature*	IECEX ATEX Ex ec nA nC	IECEX ATEX Ex tc *	Supply Wire Suitable Temp., °C	Shipping Weight (lbs.)
EXLHFLJ07LUTP76	Trunnion	60W	100 - 277V 50/60Hz	8,580	143	70	5000	-40°C < Tamb < 65°C	T3	100°C	90°C	38
EXLHFLJ09LUTP76	Trunnion	80W	100 - 277V 50/60Hz	11,280	141	70	5000	-40°C < Tamb < 65°C	T3	100°C	90°C	39
EXLHFLJ12LUTP76	Trunnion	90W	100 - 277V 50/60Hz	13,050	145	70	5000	-40°C < Tamb < 65°C	T3	100°C	90°C	39
EXLHFLJ13LUTP76	Trunnion	100W	100 - 277V 50/60Hz	14,500	145	70	5000	-40°C < Tamb < 65°C	T3	100°C	90°C	39
EXLHFLJ15LUTP76	Trunnion	120W	100 - 277V 50/60Hz	16,560	144	70	5000	-40°C < Tamb < 65°C	T3	100°C	90°C	39
EXLHFLJ17LUTP76	Trunnion	133W	100 - 277V 50/60Hz	18,892	142	70	5000	-40°C < Tamb < 65°C	T3	100°C	90°C	39

* Ambient temperature range is -40°C < Tamb < 55°C for IECEX/ATEX Ex tc.

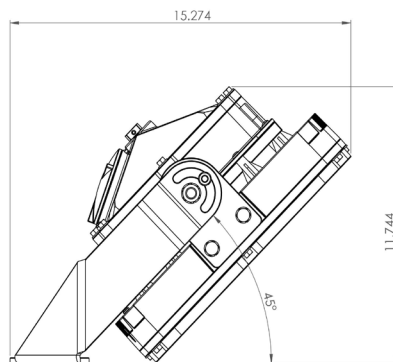
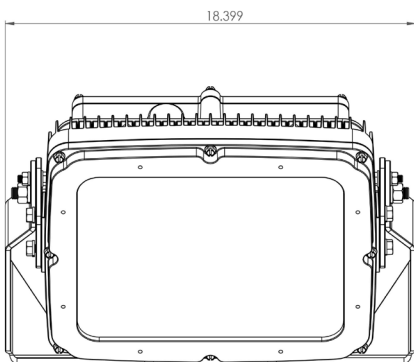
LHFLJ Floodlight/High-Bay

LED floodlight/high-bay for hazardous locations

Fixture Dimensions (Straight Mount)



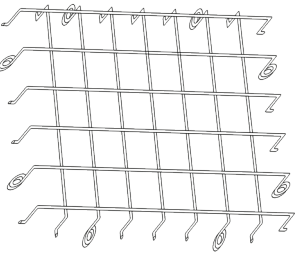
Fixture Dimensions (Angled Mount)

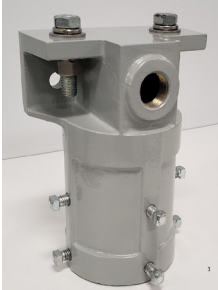


LHFLJ Floodlight/High-Bay

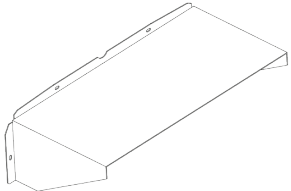
LED floodlight/high-bay for hazardous locations


Accessories

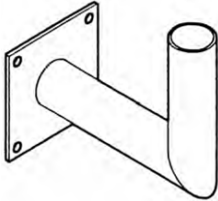
Guard	Catalog Number
	86109

Pole Top Mounting Kit*	Catalog Number	Shipping Weight (lbs.)
	RSF5	5.0

* Fits 2" - 2 1/2" pole top tenon, pipe size 2 3/8" - 2 7/8" O.D.
Adapts to horizontal or vertical mounting yokes. Stainless Steel mounting hardware included.

Visor	Catalog Number
	86037P

Safety Cable	Catalog Number	Shipping Weight (lbs.)
	10128R	1.0

Wall Mount Bracket	Catalog Number	Shipping Weight (lbs.)
	26379A	3.5



An Avail Infrastructure Solutions Company

availinfra.com/rig-a-lite

8500 Hansen Road
Houston, TX 77075
(713) 943-0340