

LHFL Duplex Floodlight/High-Bay

LED floodlight/high-bay
for hazardous locations

RIG-A-LITE™
An Avail Infrastructure Solutions Company



Classifications

- Class I, Division 2, Groups A, B, C & D
- Class II, Divisions 1 & 2, Groups E, F & G
- Class III
- Class I, Zone 2, Groups IIA, IIB & IIC
- Zone 22
- UL 1598A Marine Outside Type
- UL 1598 Wet Locations
- UL 8750 LED Safety
- UL 844 Hazardous Locations
- -40°C to 65°C Ambient Temperature


- CAN/CSA C22.2 No. 250.0-08
- CAN/CSA C22.2 No. 137-M1981
- NEMA 4X
- ABS Type Approved
- IP66
- DLC Listed
- Tested to LM79, LM80
- Factory Sealed
- Buy American Act (BAA) Compliant

IECEX

- Ex ec IIC T3 Gc
- -40°C ≤ Ta ≤ 65°C, IP66
- Ex ec nA nC IIC T3 Gc
- -40°C ≤ Ta ≤ 65°C, IP66

- Ex tc IIIC T100°C Dc
- -40°C ≤ Ta ≤ 55°C, IP66
- Certificate: IECEx ETL 20.0058X

ATEX

- CE  II 3 G D
- II 3 G Ex ec IIC T3 Gc
- -40°C ≤ Ta ≤ 65°C, IP66
- II 3 G Ex ec nA nC IIC T3 Gc
- -40°C ≤ Ta ≤ 65°C, IP66
- II 3 D Ex tc IIIC T100°C Dc
- -40°C ≤ Tamb ≤ 55°C, IP66
- Certificate: ITS-I21ATEX28908X



availinfra.com/rig-a-lite

8500 Hansen Road
Houston, TX 77075
(713) 943-0340

LHFL Duplex Floodlight/High-Bay

LED floodlight/high-bay for hazardous locations

Key Features

- 1 High-performance precision optics system
- 2 Driver access plate features stainless steel safety retention chain and captive hardware
- 3 Field replaceable LED circuit boards and drivers with quick disconnects
- 4 Approved for high-ambient applications, up to 65° C
- 5 Two (2) permanent safety cable retention points



Additional Features

- Versatile trunnion-mount, with 180° range of motion
- Dual hub entries, feed-through capable
- Optional polycarbonate lens
- Terminal block
- Standard 10kV surge protection
- 5-year warranty

Standard Materials

Body:

A360 aluminum (less than .4% copper content) with baked-on gray epoxy finish

Gaskets:

Silicone

Lens:

Tempered Glass

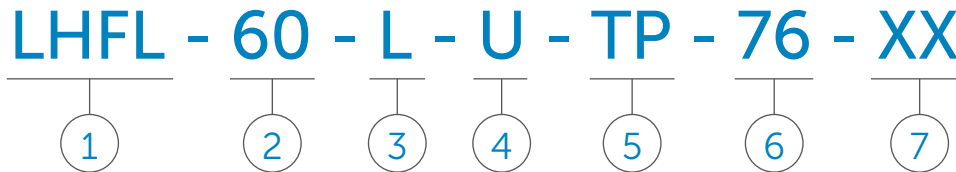
Hardware:

Stainless Steel

LHFL Duplex Floodlight/High-Bay

LED floodlight/high-bay for hazardous locations

Catalog Number Logic



1

BASIC LUMINAIRE

LHFL = N. American Standards
EXLHFL = IEC, ATEX Standards

2

LUMENS/WATTS

40 = 43,200 Lumens / 300 Watts
46 = 50,050 Lumens / 350 Watts
54 = 60,630 Lumens / 430 Watts
60 = 67,200 Lumens / 480 Watts

3

LAMP TYPE

L = LED (5000K CCT)

4

VOLTAGE/FREQUENCY

U = 100 - 277V 50/60 HZ, 127 - 250 VDC
N = 277 - 480V 50/60 HZ
12 = 120V 60 HZ¹
22 = 220V 50 HZ¹
24 = 240V 60 HZ¹
27 = 277V 60 HZ¹
34 = 347V 60 HZ¹
48 = 480V 60 HZ¹

5

MOUNTING

TP = Straight Trunnion Mount
TA = Angled Trunnion Mount

6

BEAM DISTRIBUTION

76 = 7H x 6V

7

OPTIONS

SC = Safety Cable (Eye Bolt Included)
EB = Eye Bolt
FB1 = Single Fuse Block¹
FB2 = Double Fuse Block¹
PC = Polycarbonate Lens
(Not for EXLHFL Models)
40 = 4000K CCT

¹ When selected, one fuse block is provided for 120V or 277V, two fuse blocks/fuses are provided for 208V - 240V or 480V. Fuse options not available with 347V, fixtures listed for use in Canada, marine listed fixtures or EX Models..

Catalog logic is for explaining catalog number structure only. Not all combinations are possible; consult factory for catalog numbers not listed in charts.

LHFL Duplex Floodlight/High-Bay

LED floodlight/high-bay for hazardous locations

Certification Guide

LHFL Duplex

Model	Mount	Watts	Operating Voltage	Total Lumens	Lumens per Watt	CRI	CCT	Ambient Temperature*	Class 1, Div. 2 Group A, B, C, D	Class II Div. 1 Group E, F, G Class III*	Simul Presence	Supply Wire Suitable Temp., °C	Shipping Weight (lbs.)
LHFL40LUTP76	Trunnion	300W	100-277V 50/60Hz	43,200	144	70	5000	-40°C < Tamb < 65°C	T3	T5	T3	90°C	100
LHFL40LNTP76	Trunnion	300W	277-480V 50/60Hz	43,200	144	70	5000	-40°C < Tamb < 65°C	T3	T5	T3	90°C	100
LHFL46LUTP76	Trunnion	350W	100-277V 50/60Hz	50,050	143	70	5000	-40°C < Tamb < 65°C	T3	T5	T3	90°C	100
LHFL46LNTP76	Trunnion	350W	277-480V 50/60Hz	50,050	143	70	5000	-40°C < Tamb < 65°C	T3	T5	T3	90°C	100
LHFL54LUTP76	Trunnion	430W	100-277V 50/60Hz	60,630	141	70	5000	-40°C < Tamb < 55°C	T3	T5	T3	90°C	100
LHFL54LNTP76	Trunnion	430W	277-480V 50/60Hz	60,630	141	70	5000	-40°C < Tamb < 55°C	T3	T5	T3	90°C	100
LHFL60LUTP76	Trunnion	480W	100-277V 50/60Hz	67,200	140	70	5000	-40°C < Tamb < 45°C	T3	T5	T3	90°C	100
LHFL60LNTP76	Trunnion	480W	277-480V 50/60Hz	67,200	140	70	5000	-40°C < Tamb < 45°C	T3	T5	T3	90°C	100

* Ambient temperature range is -40°C < Tamb < 55°C in Class II, Div. 1 and Class III.

EXLHFL Duplex

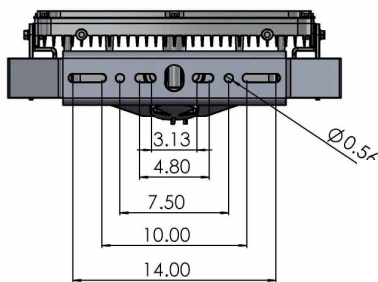
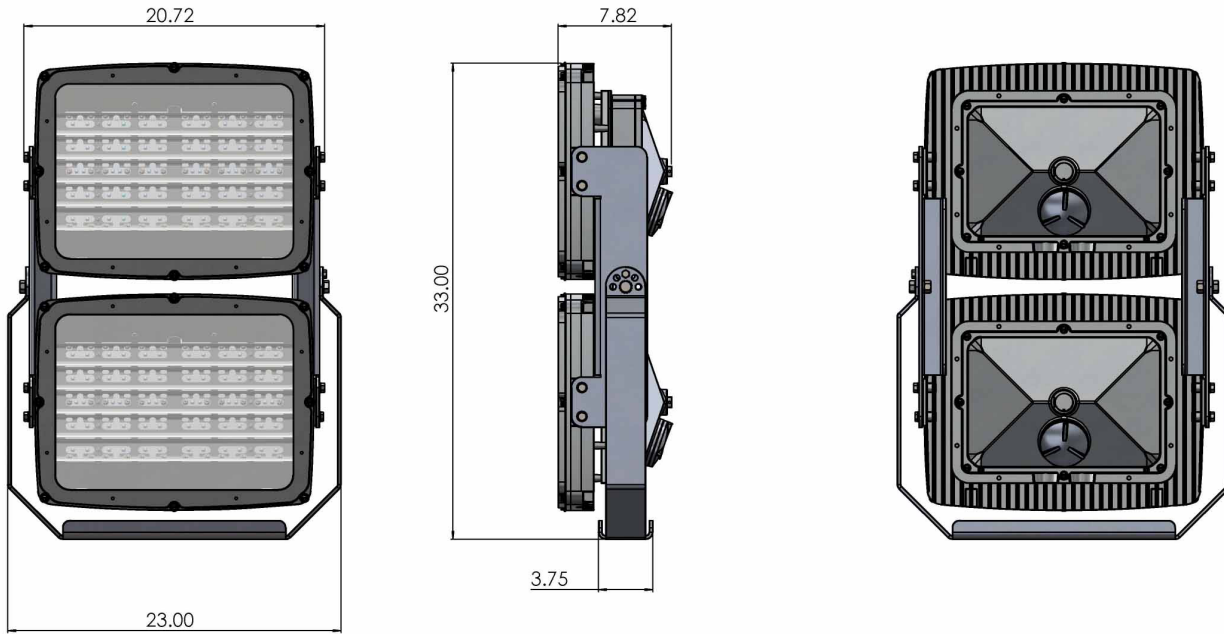
Model	Mount	Watts	Operating Voltage	Total Lumens	Lumens per Watt	CRI	CCT	Ambient Temperature*	IECEx ATEX Ex ec nA nC	IECEx ATEX Ex tc *	Supply Wire Suitable Temp., °C	Shipping Weight (lbs.)
EXLHFL40LUTP76	Trunnion	300W	100 - 277V 50/60Hz	43,200	144	70	5000	-40°C < Tamb < 65°C	T3	100°C	90°C	100
EXLHFL46LUTP76	Trunnion	350W	100 - 277V 50/60Hz	50,050	143	70	5000	-40°C < Tamb < 65°C	T3	100°C	90°C	100
EXLHFL54LUTP76	Trunnion	430W	100 - 277V 50/60Hz	60,630	141	70	5000	-40°C < Tamb < 55°C	T3	100°C	90°C	100
EXLHFL60LUTP76	Trunnion	480W	100 - 277V 50/60Hz	67,200	140	70	5000	-40°C < Tamb < 45°C	T3	100°C	90°C	100

* Ambient temperature range is -40°C < Tamb < 55°C for IECEx/ATEX Ex tc.

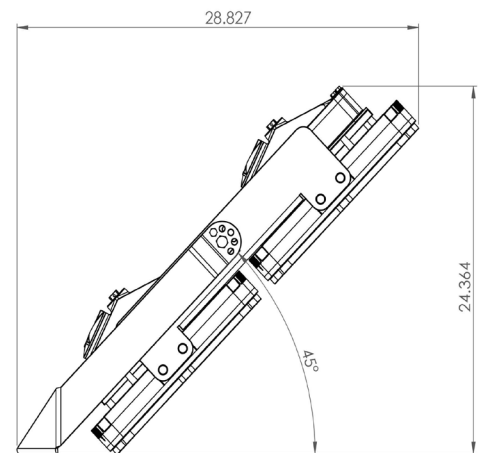
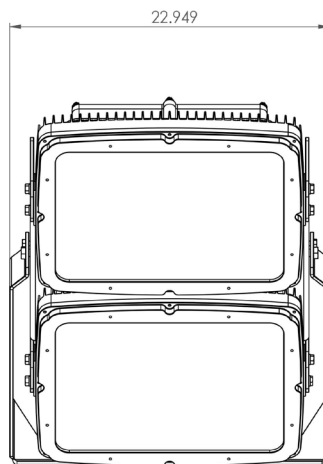
LHFL Duplex Floodlight/High-Bay

LED floodlight/high-bay for hazardous locations

Fixture Dimensions (Straight Mount)



Fixture Dimensions (Angled Mount)



An Avail Infrastructure Solutions Company

availinfra.com/rig-a-lite

8500 Hansen Road
Houston, TX 77075
(713) 943-0340