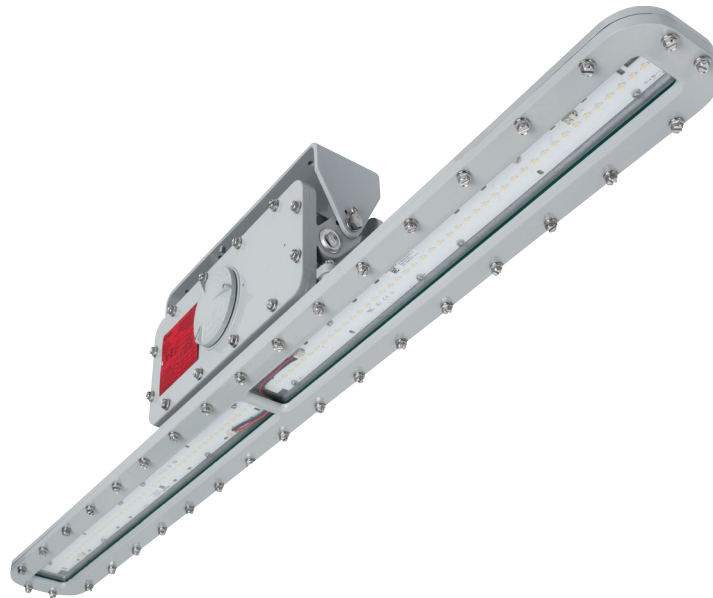


XML LED

Explosion proof linear
LED lighting

RIG-A-LITE™
An Avail Infrastructure Solutions Company



Classifications

- Class I, Division 1, Groups C & D
- Class I, Division 2, Groups C & D
- Class II, Division 1, Groups E, F & G
- Class III
- Simultaneous Presence
- UL 1598A Marine Outside Type
- UL 1598 Wet Locations
- UL 8750 LED Safety
- UL 844 Hazardous Locations
- UL 924 Emergency Lighting
- Emergency Battery Backup
- -40°C to 65°C Ambient Temperature
- CSA C.22.2 No. 250.0-08
- CSA C.22.2 No. 137-M1981
- NEMA 4X, 7CD
- ABS Type Approved
- IP66
- Paint Spray Booth
- DLC Listed
- Tested to LM79 & LM80
- **IECEX**
Ex d IIB T6 Gb
Ex tb IIIC T100°C Db
-40°C ≤ Tamb ≤ 65°C
Certificate: IECEX UL 17.0004X
- **ATEX**
⊕ II 2 G D
Ex d IIB T6 Gb
Ex tb IIIC T100°C Db
-40°C ≤ Tamb ≤ 65°C
Certificate: DEMKO 17 ATEX 1825X

availinfra.com/rig-a-lite

8500 Hansen Road,
Houston, TX 77075
(713) 943-0340

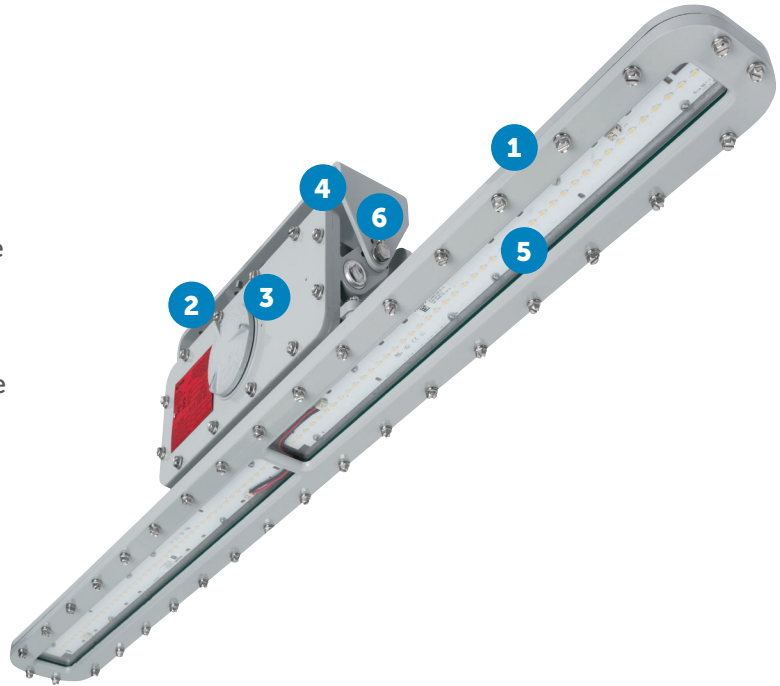
XML LED

Explosion proof linear LED lighting

Key Features

- 1 Low-profile, lightweight design
- 2 Convenient wiring access through screw-cap cover with toolless, cage clamp terminal block
- 3 Self-contained emergency battery backup, no additional junction box required
- 4 Heavy-duty, 7/16" thick die-cast safety cable attachment points
- 5 Replaceable LED circuit boards and drivers
- 6 Adjustable Mounting bracket with 90 degree range of motion and 13 locking positions*

*Not included, must be ordered separately.
Please see options section.



Additional Features

- Central safety cable attachment points for increased safety/ reduced range of motion
- Feed-through and pendant mount capable
- Diffused lens option
- Standard 10kV surge protection, non EM models
- 4kV surge protection, EM models
- 5-year warranty

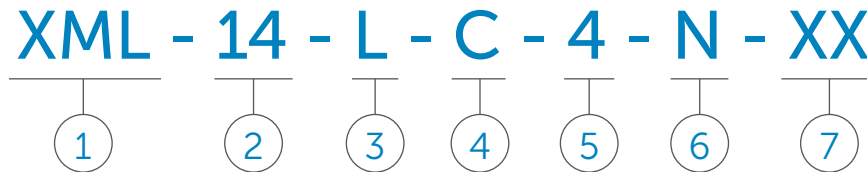
Standard Materials

- Body:**
A360 aluminum (less than .4% copper content)
with baked-on gray epoxy finish
- Gaskets:**
One-piece Neoprene
- Lens:**
Tempered Glass
- Hardware:**
Stainless Steel

XML LED

Explosion proof linear LED lighting

Catalog Number Logic



1

Series¹

XML LED = North American Standards
EXML LED = ATEX and IECEx Standards

2

LAMP WATTAGE

04 = 30 Watt
05 = 38 Watt
06 = 45 Watt
07 = 54 Watt
09 = 75 Watt
14 = 90 Watt

3

LAMP TYPE

L = LED (4000K CCT)

4

LENS

C = Clear
D = Diffused²

5

NOMINAL FIXTURE LENGTH

2 = 2 Foot
4 = 4 Foot

6

VOLTAGE/FREQUENCY

U = 120 - 277V 50/60 HZ
N = 347/480V 60 HZ
A = 120V 60 HZ
B = 220 - 240V 50/60 HZ
C = 277V 60 HZ

7

OPTIONS

RIG = Mounting Bracket &
(2) Safety Cables
MB = Mounting Bracket Ceiling or Wall
HA = High Ambient 65°C Rated
(75W model only)
EM = Emergency Battery Backup
(Not Available with 347/480V)^{3,5}
FB = Fuse Block⁴
PB = Push to Test Switch for
EM Option Only
30 = 3000K (CCT)
35 = 3500K (CCT)
50 = 5000K (CCT)

¹ Mounting hardware not included. See options for mounting selections.

² Not available with EXML models

³ 4kV surge protection. Supplemental 10kV surge protection not available on EM models.

⁴ Specify voltage when option FB is needed. When option FB is selected, one fuse is provided for 120 and 277V. Two fuses are provided for 220-240V. Fuse option not available for marine listed fixtures, EM versions, 347/480V or for fixtures listed for use in Canada.

⁵ 10.4 watts delivered for 90 minutes.

Part numbering logic is for explaining part number structure only. Not all combinations are possible; consult factory for catalog numbers not listed on chart.

XML LED

Explosion proof linear LED lighting

Certification Guide

Model	Length	Wattage	Operating Voltage	Total Lumens	Lumens per Watt	CRI	CCT	Ambient Temperature	Class I, Div. 1, Group C & D	Class I, Div. 2, Group C & D	Class II, Div. 1, Group E, F & G, Class III	Simultaneous Presence	Paint Spray Booth	Supply Wire Suitable Temperature, °C
XML04LC2U	2 ft	30W	120V - 277V 50/60 Hz	3806	129	82	4084	-40°C < Tamb < 55°C	T6	T4A	T6	T6	Yes	90°C
XML04LC2N	2 ft	30W	347/480V 60 Hz	3806	129	82	4084	-40°C < Tamb < 55°C	T6	T4A	T6	T6	Yes	90°C
XML05LC2U	2 ft	38W	120V - 277V 50/60 Hz	4794	128	82	4095	-40°C < Tamb < 55°C	T6	T4A	T6	T6	Yes	90°C
XML05LC2N	2 ft	38W	347/480V 60 Hz	4794	128	82	4095	-40°C < Tamb < 55°C	T6	T4A	T6	T6	Yes	90°C
XML06LC2U	2 ft	45W	120V - 277V 50/60 Hz	6139	135	82	4091	-40°C < Tamb < 55°C	T6	T4A	T6	T6	Yes	90°C
XML06LC2N	2 ft	45W	347/480V 60 Hz	6139	135	82	4091	-40°C < Tamb < 55°C	T6	T4A	T6	T6	Yes	90°C
XML07LC4U	4 ft	54W	120V - 277V 50/60 Hz	7291	134	82	4167	-40°C < Tamb < 60°C	T6	T4A	T6	T6	Yes	90°C
XML07LC4N	4 ft	54W	347/480V 60 Hz	7291	134	82	4167	-40°C < Tamb < 60°C	T6	T4A	T6	T6	Yes	90°C
XML09LC4U	4 ft	75W	120V - 277V 50/60 Hz	9290	130	82	4180	-40°C < Tamb < 60°C	T6	T4A	T6	T6	Yes	90°C
XML09LC4N	4 ft	75W	347/480V 60 Hz	9290	130	82	4180	-40°C < Tamb < 60°C	T6	T4A	T6	T6	Yes	90°C
XML09LC4UHA	4 ft	73W	120V - 277V 50/60 Hz	9060	130	82	4180	-40°C < Tamb < 65°C	T6	T4A	T6	T6	Yes	90°C
XML09LC4NHA	4 ft	73W	347/480V 60 Hz	9060	130	82	4180	-40°C < Tamb < 65°C	T6	T4A	T6	T6	Yes	90°C
XML14LC4U	4 ft	90W	120V - 277V 50/60 Hz	12253	140	82	4120	-40°C < Tamb < 60°C	T6	T4A	T6	T6	Yes	90°C
XML14LC4N	4 ft	90W	347/480V 60 Hz	12253	140	82	4120	-40°C < Tamb < 60°C	T6	T4A	T6	T6	Yes	90°C

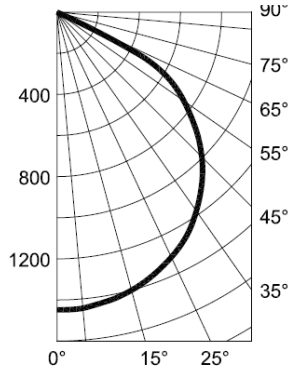
XML LED

Explosion proof linear LED lighting

Candlepower Distribution

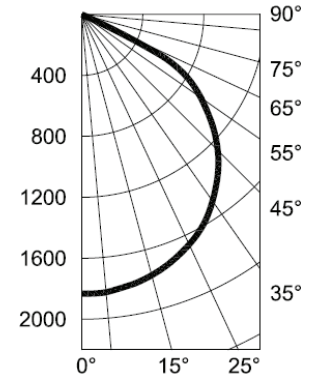
XML04LC2UXX

Deg.	0.	30	60	90
0	1447.5	1447.5	1447.5	1447.5
10	1418	1415.2	1419.9	1427.8
20	1346	1348.4	1351.6	1361.2
30	1231.6	1239.2	1244.2	1258.4
40	1061.3	1075.9	1089.5	1094.9
50	852.3	863.4	878.2	884.3
60	590.1	599.6	606.6	604.2
70	295.8	298	21.7	17.9
80	53.5	6.8	6.3	5.8
90	0	0	0	0



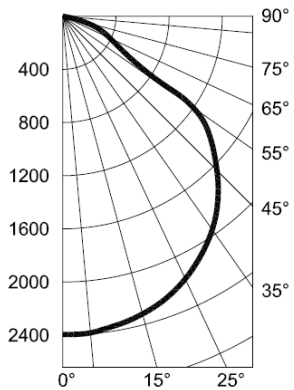
XML05LC2UXX

Deg.	0.	30	60	90
0	1832.3	1832.3	1832.3	1832.3
10	1794.9	1791.4	1797.3	1807.4
20	1703.8	1706.8	1710.9	1723
30	1559	1568.6	1574.9	1592.9
40	1343.4	1361.9	1379.1	1386
50	1078.9	1092.9	1111.6	1119.4
60	747	759	767.9	764.8
70	374.4	377.2	27.5	22.6
80	67.7	8.6	8	7.4
90	0	0	0	0



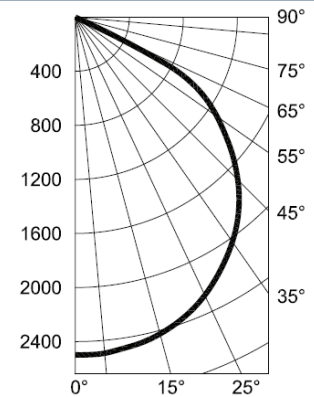
XML06LC2UXX

Deg.	0.	30	60	90
0	2395	2395	2395	2395
10	2345.5	2350.3	2356	2363.7
20	2230.7	2244.6	2245.1	2257.5
30	2042.9	2068.3	2064	2078.5
40	1761.4	1790.2	1806.2	1811.9
50	1411.8	1444.6	1454.5	1451.8
60	983.1	1001.7	959	520.8
70	491.5	490.7	246.8	42.9
80	91.7	18.1	16.6	16.3
90	0	0	0	0



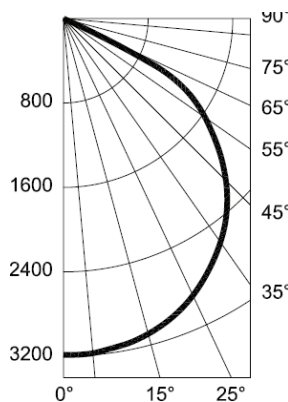
XML07LC2UXX

Deg.	0.	30	60	90
0	2498.4	2498.4	2498.4	2498.4
10	2498.3	2486.4	2468.2	2462
20	2493.4	2467.6	2367.9	2361.3
30	2486.3	2415.9	2221.2	2155.3
40	2326.1	2261.4	1963.7	1880.7
50	1949.3	1905.7	1608.8	1502.8
60	1391.5	1398.6	1137.9	1028.1
70	731.1	707.5	48.1	36.2
80	171.5	27	19.3	16.2
90	0.2	0.2	0.2	0.1



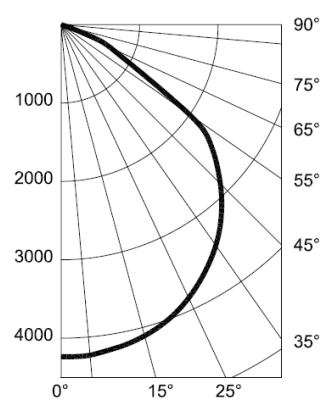
XML09LC2UXX

Deg.	0.	30	60	90
0	3186.7	3186.7	3186.7	3186.7
10	3186.6	3171.4	3148.2	3140.3
20	3180.4	3147.4	3020.3	3011.8
30	3171.3	3081.5	2833.1	2749.1
40	2967	2884.5	2504.7	2398.8
50	2486.3	2430.7	2052.1	1916.9
60	1774.9	1783.9	1451.4	1311.4
70	932.5	902.4	61.4	46.2
80	218.8	34.4	24.6	20.6
90	0.2	0.2	0.2	0.1



XML14LC2UXX

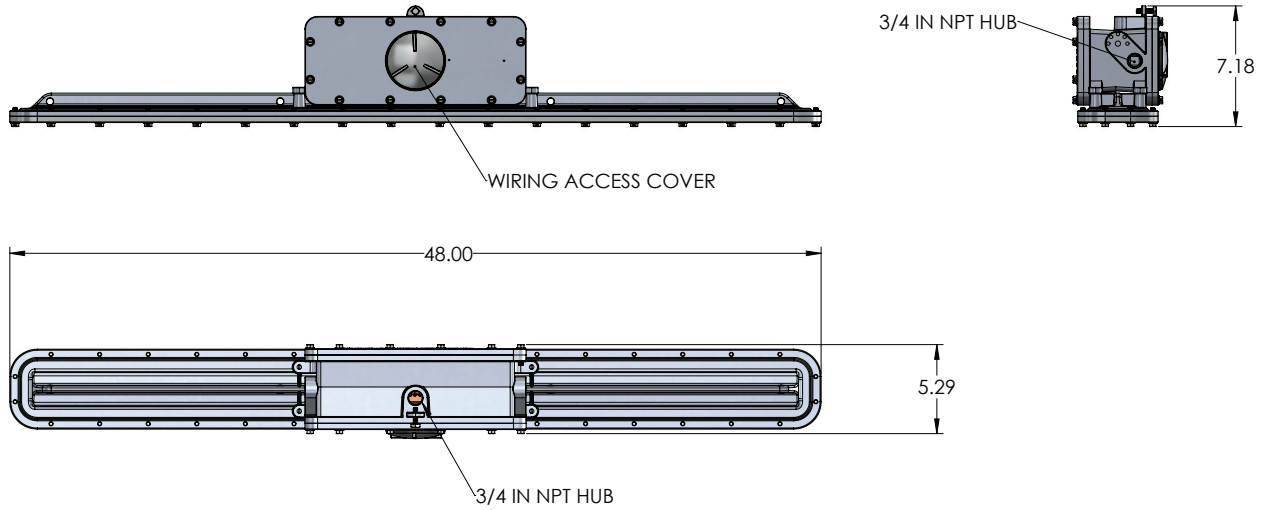
Deg.	0.	30	60	90
0	4234.9	4234.9	4234.9	4234.9
10	4232	4220.1	4194.4	4176.7
20	4219.1	4177.5	4023.5	4000
30	4209.5	4094.7	3763.6	3655.2
40	3927.3	3813.8	3338.5	3177.9
50	3273.4	3197	2724	2529.5
60	2360.5	2315.3	1592.4	1072.2
70	1218.3	1160.6	366.2	138
80	278.3	87.4	43.3	35.5
90	0.8	1	0.3	0.2



XML LED

Explosion proof linear LED lighting

Fixture Dimensions (inches)



XML SERIES	Dimensions (inches)	Boxed Weight	Shipping Volume
	A		
4 ft. models	48.00	36 lbs.	1.47 cu. ft.
2 ft. models	24.00	26.5 lbs.	.76 cu. ft.

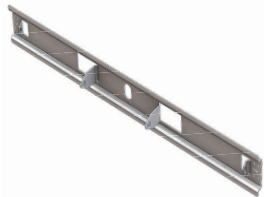
Accessories

Mounting Bracket



Ceiling or Wall
 Catalog Number: 53053
 Shipping Weight: 2 lbs.

Wide Mounting Bracket



Catalog Number: 26927
 Shipping Weight: 7 lbs.

Beam Clamp



Catalog Number: 38083
 Shipping Weight: 1.25 lbs.

Safety Cable



Catalog Number: 10128R
 Shipping Weight: 1 lb.



An Avail Infrastructure Solutions Company

availinfra.com/rig-a-lite

8500 Hansen Road,
 Houston, TX 77075
 (713) 943-0340