

# INSTALLATION DATA SHEET

## XHBF SERIES

### LED LUMINAIRE FOR USE IN HAZARDOUS LOCATIONS

Class I, Zone 1, AEx db IIB+H2 T5 Gb

Class I Division 1, Groups B, C and D, T5

-20°C ≤ Tamb ≤ +65°C, IP66

Class II, Zone 1, AEx tb T100°C Db

Class II, Division 1, Groups E, F and G, Class III, T5

-20°C ≤ Tamb ≤ +55°C, IP66

Suitable to be used in atmospheres containing explosive paint residues

#### WARNING!

- To reduce risk of fire or explosion, do not install where the marked operating temperature exceeds the ignition temperature of the hazardous atmosphere(s).
- These luminaires should be installed by qualified technicians using suitable hazardous location wiring methods in strict accordance with the National Electrical Code, NFPA 70 and any local requirements.
- To prevent risk of electrical shock, deactivate/ disconnect power supply before opening. Keep tightly closed when in operation.
- DO NOT OPEN WHEN ENERGIZED.
- DO NOT OPEN WHEN AN EXPLOSIVE GAS ATMOSPHERE IS PRESENT
- POTENTIAL ELECTROSTATIC CHARGING HAZARD – SEE MAINTENANCE DATA
- Install the luminaire in a location that minimizes the risk of impact

#### REPAIRS / OVERHAUL / MODIFICATION:

The relevant national regulations which apply to the maintenance / servicing of electrical apparatus in hazardous atmospheres shall be observed. Only joints that is to be opened by the user is the driver housing and mount. Contact Rig-A-Lite for information on the flameproof joints. Should the Luminaire enclosure be damaged, only a replacement will be permitted. The luminaire should be returned to Rig-A-Lite for inspection/repair. Modifications to the device or changes of it's design are prohibited.

The equipment must be operated according to the intended purpose in a perfect and undamaged condition.

#### CONFORMITY WITH STANDARDS

Explosive Atmospheres — Part 0: Equipment — General Requirements [CSA C22.2#60079-0:2019 Ed.4 ]

Explosive atmospheres - Part 1: Equipment protection by flameproof enclosures "d" [CSA C22.2 No. 60079-1:2016 Ed.3]

Explosive Atmospheres – Part 0: Equipment – General Requirements [UL 60079-0:2019 Ed.7 ]

Explosive Atmospheres - Part 1: Equipment Protection by Flameproof Enclosures "d" [UL 60079-1:2015 Ed.7]



8500 Hansen Rd.  
Houston, TX 77075 USA  
XHBFIDS

Tel: 713-943-0340

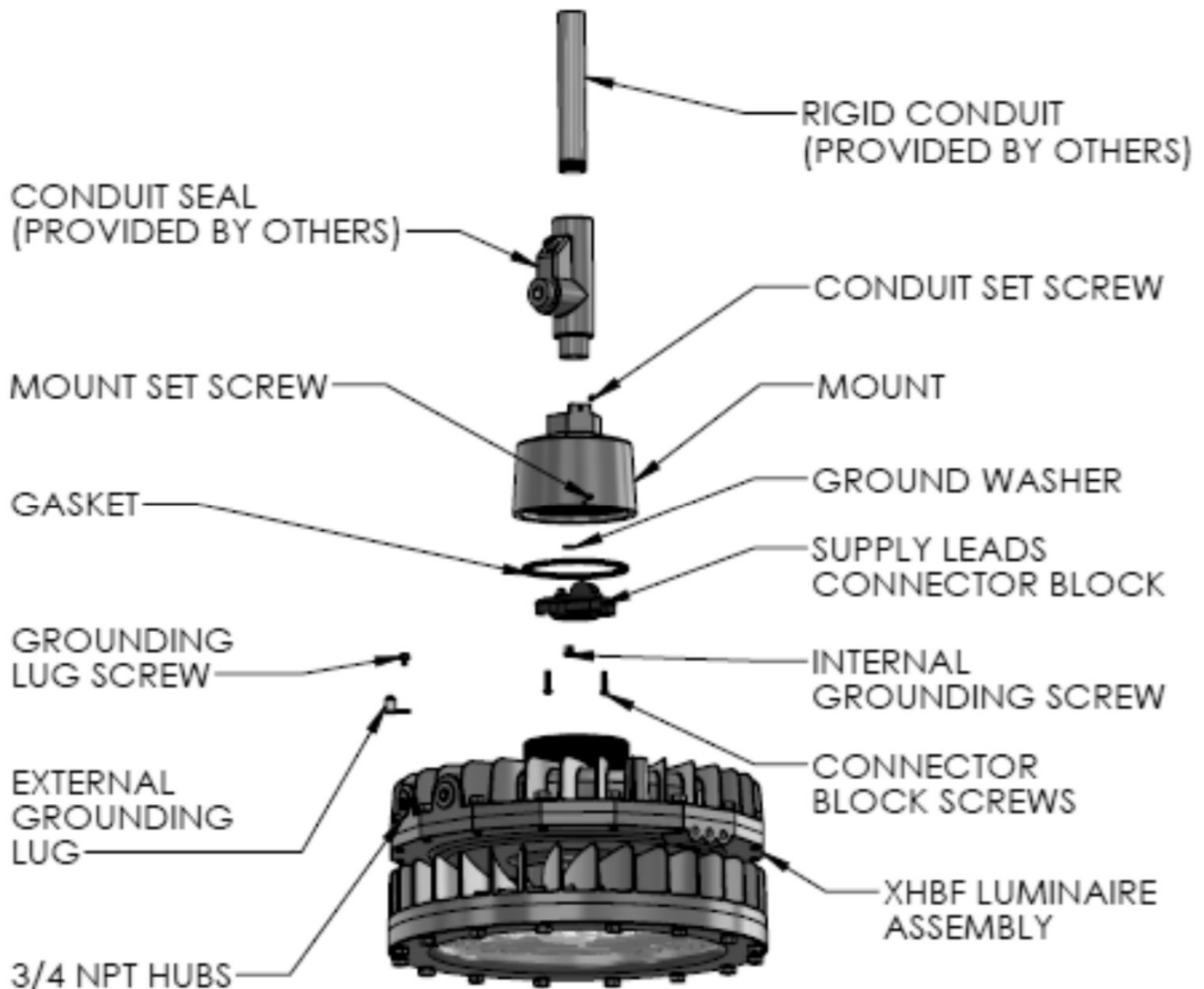
Oct 2022

[availinfra.com/rig-a-lite/](http://availinfra.com/rig-a-lite/)

Rev. 3

# INSTALLATION DATA SHEET

## Mount Installation



## Technical Data

Rated Input Voltage: 100-277VAC 50/60Hz and 347V/480V 60Hz  
Operating Temperature -40°C to +65°C  
Rated Input Power: 45W, 60W, 75W, 87W, 96W, 105W, 120W and 135W  
Housing Material: Copper Free Aluminum (less than 0.04% Aluminum).  
Housing Finish: Greyhound Grey Baked-on Epoxy Powder Coat  
Dimensions: See Dimensional Diagrams  
Protection Glass: Tempered Glass  
Conduit entries: 3/4 in NPT or 1in NPT  
Weight: up to 25 Kg (55 lbs)



8500 Hansen Rd.  
Houston, TX 77075 USA  
XHBFIDS

Tel: 713-943-0340

Oct 2022

[availinfra.com/rig-a-lite/](http://availinfra.com/rig-a-lite/)

Rev. 3

# INSTALLATION DATA SHEET

## INSTALLATION, WIRING AND ADJUSTMENTS:

1. This luminaire is equipped with 3/4 NPT or 1 NPT hubs for incoming power supply and sealing fitting (not provided). Luminaires are provided without conduit sealing devices, stopping plugs, and reducers. Proper selection of conduit sealing devices, stopping plugs and reducers must occur in the field. The conduit sealing device needs to be closest to the enclosure with a distance no more than the size of the conduit. When a reducer is installed to the enclosure, the sealing device and enclosure shall maintain the distance indicated above.
2. This unit is furnished completely assembled. Check the luminaire label to ensure correct voltage and frequency.
3. Before installing, make sure that the circuit is deactivated.
4. Loosen the set screw and unscrew the luminaire mount.
5. Loosen the two screws (28109) inside the mount and remove the contact assembly (26641).
6. Install the mount in place, tighten the set screw and pull the incoming wires from the conduit, through the mount's hub. For Wall mounts, secure to desired mounting surface using (4) 1/4in (M7) bolts or lag screws (not provided). For Trunnion mounts, secure to desired mounting surface using at least (2) 3/8in (M9) bolts or lag screws (not provided). Remove the 16 M8 screws from the driver's housing and make incoming power connection via driver housing's 3/4 NPT hubs. Close the driver housing and reinstall the 16 M8 screws. Tighten the screws to 15 ft-lb of torque in a crisscross pattern.
7. Attach the power leads to the contact assembly (26641) and attach the internal grounding lead (16 AWG or 1.5 mm<sup>2</sup> minimum) to the grounding screw.
8. Re-attach the contact assembly into the mount and tighten the (28109) screws.
9. Re-install the luminaire assembly and the mount, and tighten the set screw.
10. Attach the external grounding lead (12 AWG or 4 mm<sup>2</sup> minimum) to the lug provided on the back of the housing.
11. To make vertical adjustments on the trunnion, loosen the pivot bolts on the yoke and aim to desired angle.
12. Re-tighten the pivot bolts.

## MAINTENANCE DATA:

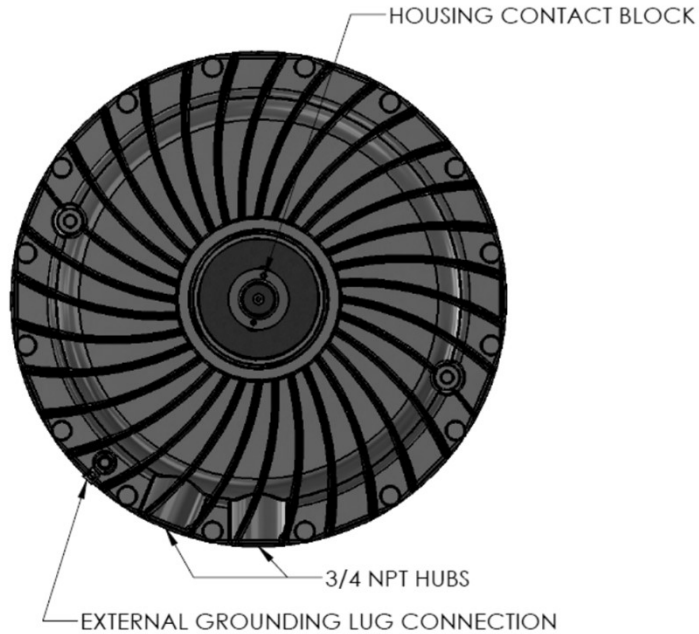
1. Although no routine maintenance is required to keep this luminaire functional, it should be checked periodically to ensure it is working properly, and to look for any external damage.
2. For optimum performance, keep the light transmission portion of the luminaire clean.
3. Visually check for undue heating evidenced by discoloration of wires and other components, damaged parts or leakage of water or corrosion in the interior.
4. Only joints that is to be opened by the user is the driver housing and mount. Contact Rig-A-Lite for information on the flameproof joints.
5. Replace all worn, damaged or malfunctioning components. Check that all mechanical components are properly assembled and secure. Make sure all electrical connections are safe and secure.
6. Clean and inspect all gaskets before putting the luminaire back in service.
7. If this product is used in a combustible dust area, clean the outside on a regular basis to prevent excessive accumulation of dust. To reduce the risk of ignition due to electrostatic discharge, avoid contact with the luminaire while an explosive atmosphere is present. Clean Only with a Damp Cloth.
8. An optional stainless steel wire guard can be installed on the luminaire to protect the luminaire. Refer to Rig-A-Lite's website or contact your nearest Rig-A-Lite distributor for information.



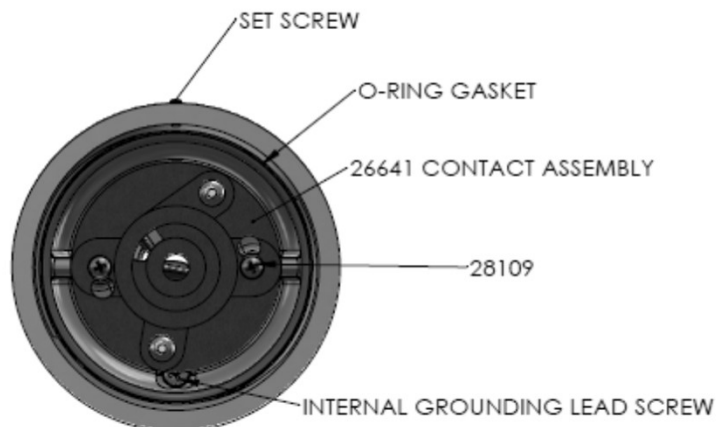
# INSTALLATION DATA SHEET

## MOUNT AND HOUSING CONTACT CONNECTION

### LUMINAIRE HOUSING



### MOUNT



8500 Hansen Rd.  
Houston, TX 77075 USA  
XHBFIDS

Tel: 713-943-0340

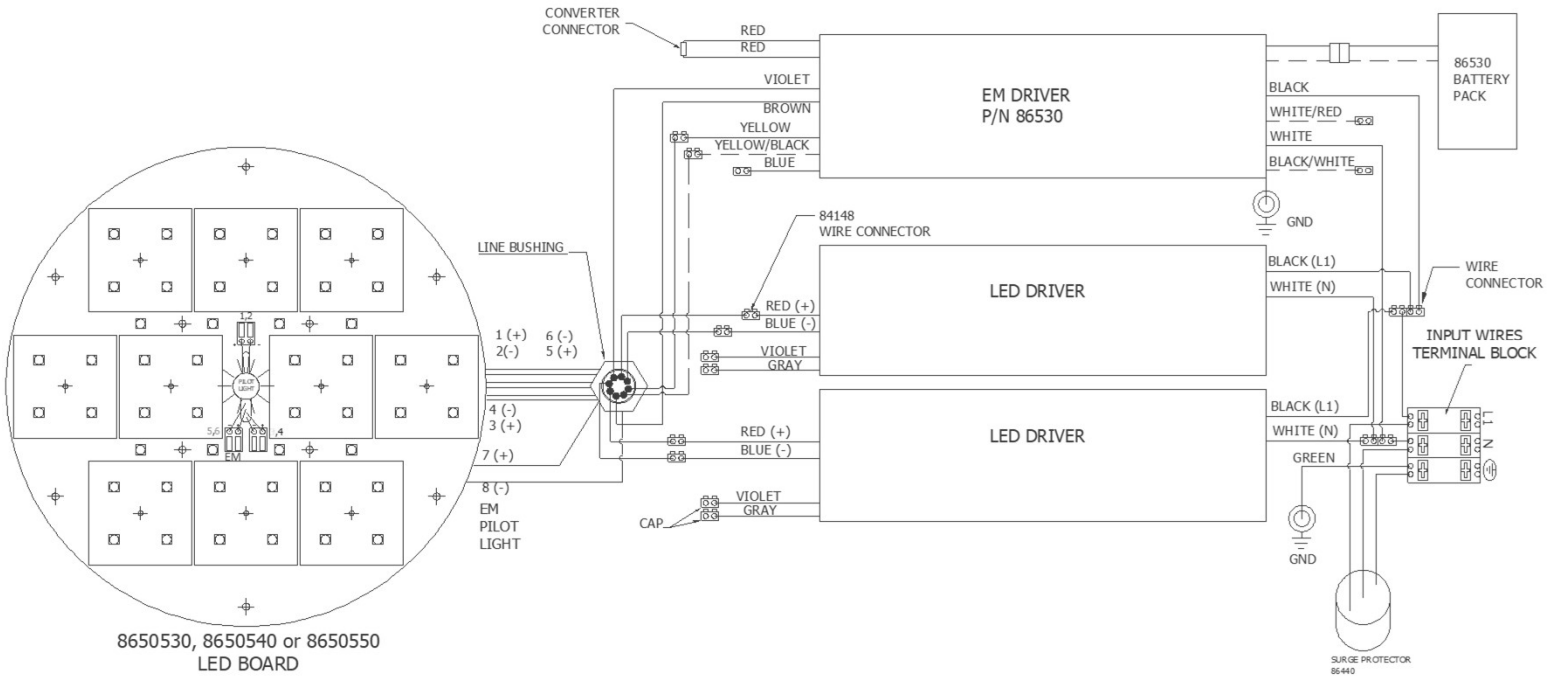
Oct 2022

[availinfra.com/rig-a-lite/](http://availinfra.com/rig-a-lite/)

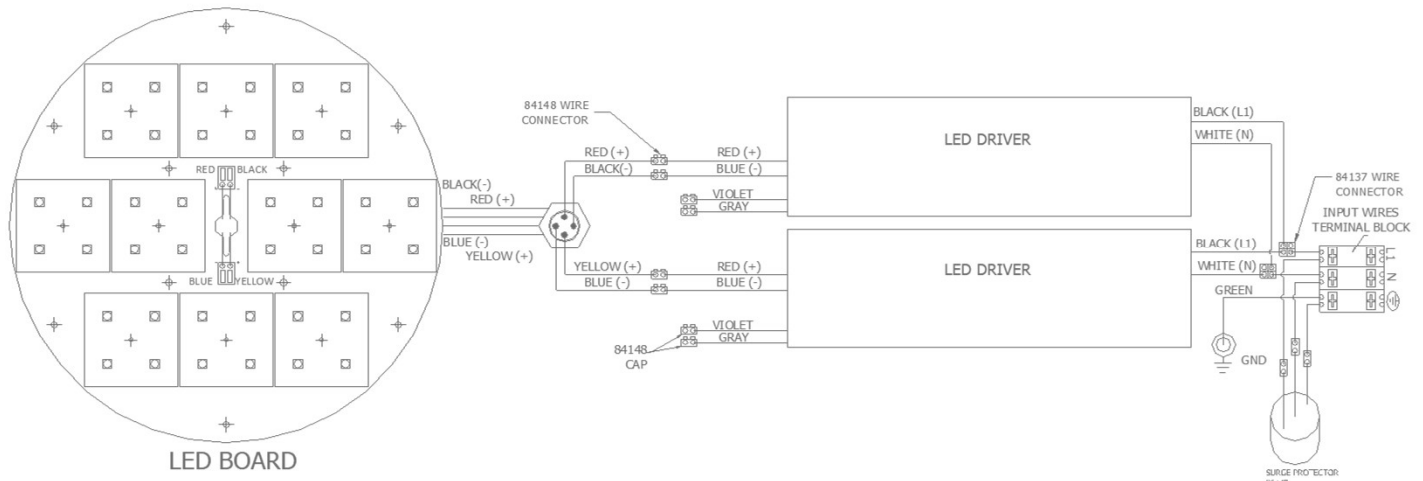
Rev. 3

# INSTALLATION DATA SHEET

## WIRING DIAGRAMS



### ALL EMERGENCY XHBF MODELS



### ALL XHBF MODELS



8500 Hansen Rd.  
Houston, TX 77075 USA  
XHBFIDS

Tel: 713-943-0340

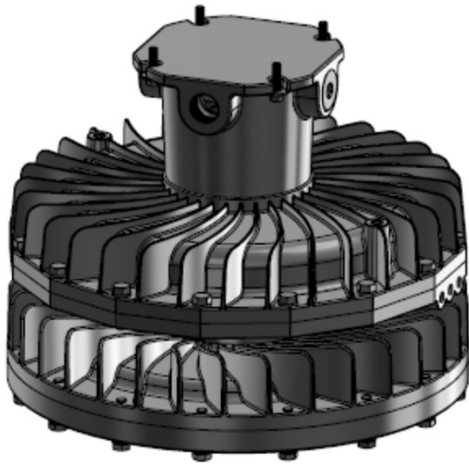
Oct 2022

[availinfra.com/rig-a-lite/](http://availinfra.com/rig-a-lite/)

Rev. 3

# INSTALLATION DATA SHEET

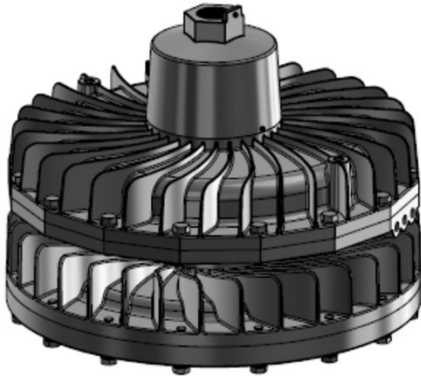
## MOUNTING OPTIONS



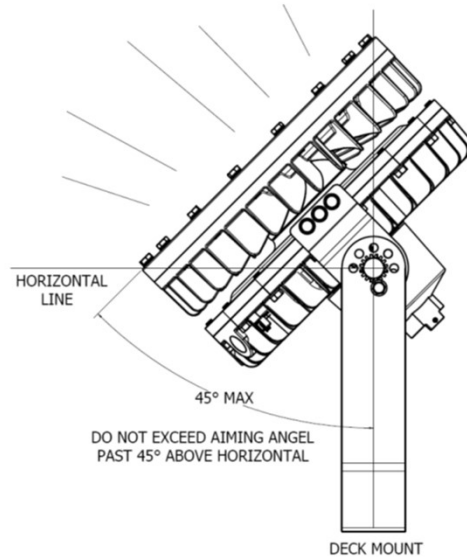
CEILING MOUNT



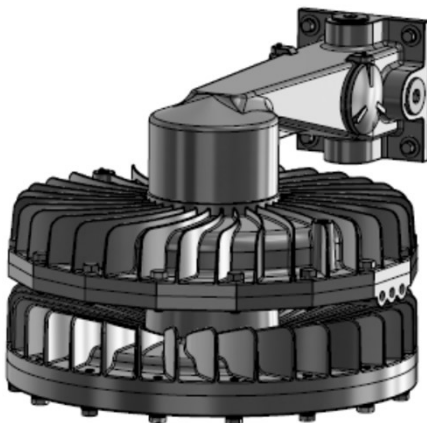
TRUNNION MOUNT



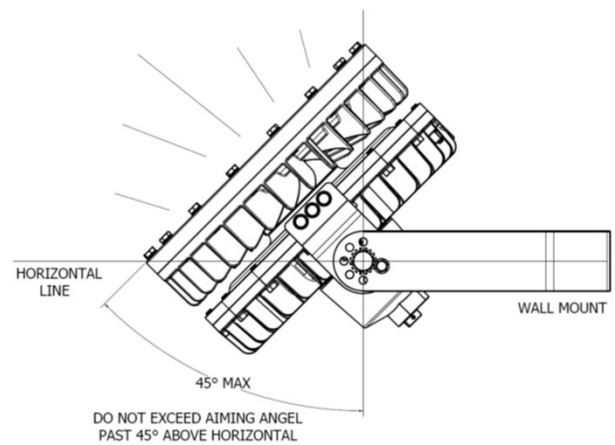
PENDANT MOUNT



DECK MOUNT



WALL MOUNT



WALL MOUNT



8500 Hansen Rd.  
Houston, TX 77075 USA  
XHBFIDS

Tel: 713-943-0340

Oct 2022

[availinfra.com/rig-a-lite/](http://availinfra.com/rig-a-lite/)

Rev. 3