

INSTALLATION DATA SHEET

RH SERIES

REMOTE LAMPHEADS FOR XPEH/XPEL SERIES

LED LUMINAIRE FOR USE IN HAZARDOUS LOCATIONS

Class I, Division 1&2, Groups C & D, Class II, Division 1, Groups E, F & G, Class III

WARNING!

READ AND FOLLOW ALL SAFETY INSTRUCTIONS BEFORE INSTALLING THIS LUMINAIRE

This luminaire should be installed in strict accordance with the National Electrical Code and any local requirements.

1. This luminaire is meant to be operated in conjunction with XPEH or XPEL Series Emergency Lighting Equipment as remote lampheads.
2. This luminaire should be mounted in locations and at heights where it will not be subjected to tampering by unauthorized personnel.
3. This luminaire must be mounted on a junction box that is listed for the hazardous area and environmental ratings (i.e. – Wet Locations, IP) intended, and having the same hazardous area and environmental ratings as marked on the lampheads.
4. All maintenance procedures are to be performed only when the atmosphere surrounding the luminaire is non-hazardous.
5. To prevent the ignition of hazardous atmospheres, disconnect the luminaire from the supply circuit before opening. Keep tightly closed when in operation.
6. Do not mount near gas or electrical heaters.
7. The use of accessory equipment not recommended by Rig-A-Lite may cause unsafe conditions.
8. Do not use this equipment for other than intended use.
9. Installation and servicing of this luminaire should be performed by qualified personnel.

SAVE THESE INSTRUCTIONS



INSTALLATION DATA SHEET

INSTALLATION:

Note: Before installing this luminaire, make sure that the necessary branch circuit wiring is available.

1. This unit is furnished completely assembled (Figure 1). Before installing, check the luminaire label to ensure correct voltage and frequency.
2. This luminaire is “Factory Sealed”.
3. The remote lamphead is meant to be mounted in the same position as the main luminaire lampheads (vertical with the wiring facing downwards).

Surface Mount

1. Install the junction box on the appropriate surface according to its manufacturer’s specifications and in compliance with Local and National Electrical Codes.
2. Remove the bottom part of the union (Figure 2) and thread it into the junction box, with at least five full threads of engagement (Figure 3).
3. Insert the wires through the union into the junction box and fasten the union (Figure 4).
4. Aim the lamphead into the desired direction and tighten the union.
5. Wire the luminaire and close the junction box cover.
6. All unused openings are to be closed with a conduit plug that is listed for the hazardous area and the environmental ratings intended, and having the same hazardous area and environmental ratings as marked on the lamphead. The conduit plug must engage at least five full threads with the conduit opening.

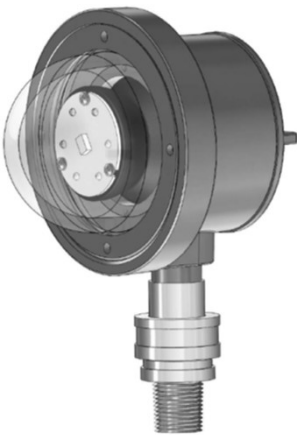


Figure 1



Figure 2

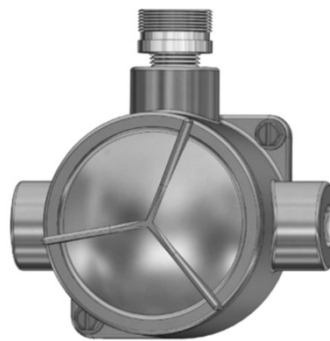


Figure 3

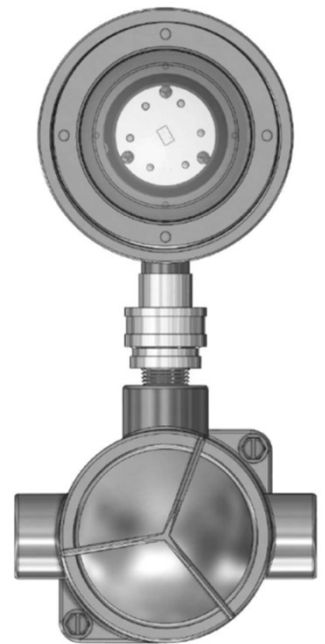


Figure 4



8500 Hansen Rd.
Houston, TX 77075 USA
RHIDS

Tel: 713-943-0340

Oct 2022

availinfra.com/rig-a-lite/

Rev. 1

INSTALLATION DATA SHEET

OPERATIONAL DATA:

1. Operate this luminaire at its rated voltage. See the luminaire label for data.

MAINTENANCE DATA:

All maintenance procedures are to be performed only when the atmosphere surrounding the luminaire is non-hazardous.

1. Although no routine maintenance is required to keep this luminaire functional, it should be checked periodically to ensure it is working properly, and to look for any external damage.
2. For optimum performance, keep the light transmission portions of the luminaire clean.

REPLACEMENT PARTS:

For replacement parts, contact Rig-A-Lite or your nearest Rig-A-Lite distributor for information.

LAMP HEAD LED BOARD

REPLACEMENT:

1. Turn off the power to the luminaire .
2. Remove the screw cap from the lamp head to be replaced.
3. Remove the (4) four screws holding the LED mount and carefully remove the assembly out of the head.
4. Remove the (3) three screws holding the LED board to its mount, lift and unplug the wire connector from the LED board.
5. Connect the new LED board and install in the mount using the three screws.
6. Install the mount into the lamp head enclosure and secure with (4) screws.
7. Replace the screw cap cover with at least five full threads of engagement.
8. Turn the power on.



8500 Hansen Rd.
Houston, TX 77075 USA
RHIDS

Tel: 713-943-0340

Oct 2022

availinfra.com/rig-a-lite/

Rev. 1