

INSTALLATION DATA SHEET

MHLS SERIES

LED LUMINAIRE FOR USE IN HAZARDOUS LOCATIONS

Class I, Division 2, Groups A, B, C & D, Class II, Division 2, Groups F & G, Class III
Suitable for Marine Outside Type (Saltwater) Rated IP66

Emergency Lighting Equipment Appareil d'éclairage de secours

IMPORTANT SAFEGUARDS: ALL INSTALLATION, MAINTENANCE, AND
OR SERVICING SHOULD BE DONE BY QUALIFIED PERSONNEL ONLY.

READ AND FOLLOW ALL SAFETY INSTRUCTIONS

1. Do not let power supply cords touch hot surfaces.
2. Do not mount near gas or electric heaters.
3. Caution: Sealed unit. Battery not replaceable. Replace entire emergency unit driver when necessary.
4. Equipment should be mounted in locations and at heights where it will not readily be subjected to tampering by unauthorized personnel.
5. The use of accessory equipment not recommended by the manufacturer may cause unsafe conditions.
6. Do not use this equipment for other than intended use.
7. Maximum mounting height is 24 ft.

SAVE THESE INSTRUCTIONS



8500 Hansen Rd.
Houston, TX 77075 USA
MHLSEMIDS

Tel: 713-943-0340

Oct 2022

availinfra.com/rig-a-lite/

Rev. 2

INSTALLATION DATA SHEET

MHLS SERIES

LED LUMINAIRE FOR USE IN HAZARDOUS LOCATIONS

Class I, Division 2, Groups A, B, C & D, Class II, Division 2, Groups F & G, Class III

Suitable for Marine Outside Type (Saltwater) Rated IP66

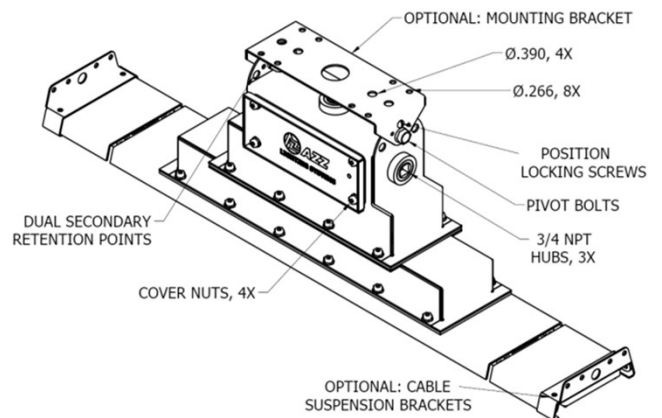
Emergency Lighting Equipment Appareil d'éclairage de secours

WARNING!

- To reduce risk of fire or explosion, do not install where the marked operating temperature exceeds the ignition temperature of the hazardous atmosphere(s).
- These luminaires should be installed by qualified technicians using suitable hazardous location wiring methods in strict accordance with the National Electrical Code, NFPA 70 and any local requirements.
- To prevent risk of electrical shock, deactivate/ disconnect power supply before opening. Keep tightly closed when in operation.

INSTALLATION: Mounting:

1. The luminaire should be installed per USCG-46CFR, subchapter J, parts 100-113 for all marine applications.
2. Some of the typical installations are shown on the back of the instruction sheet.
3. This luminaire is equipped with (3) 3/4 NPT hubs for incoming power cable and Cord-Grip (not provided). Plug unused openings with plugs provided.
4. Secure the luminaire yoke to desired mounting surface using (4) 1/4" or (2) 3/8" bolts or lag screws (not provided), or other mounting means shown further back in these instructions.
5. To make vertical adjustments, remove the 10-32 x 1/2" position locking screws from the yoke, loosen the pivot bolts on the yoke and aim to desired angle in 15° increments. Reinstall the positioning screws in aligning holes and re-tighten the pivot bolts.
6. The unit may be fitted with beam clamps, however a secondary retention device is recommended. (see additional info at the back of this instruction sheet)



8500 Hansen Rd.
Houston, TX 77075 USA
MHLSEMIDS

Tel: 713-943-0340

Oct 2022

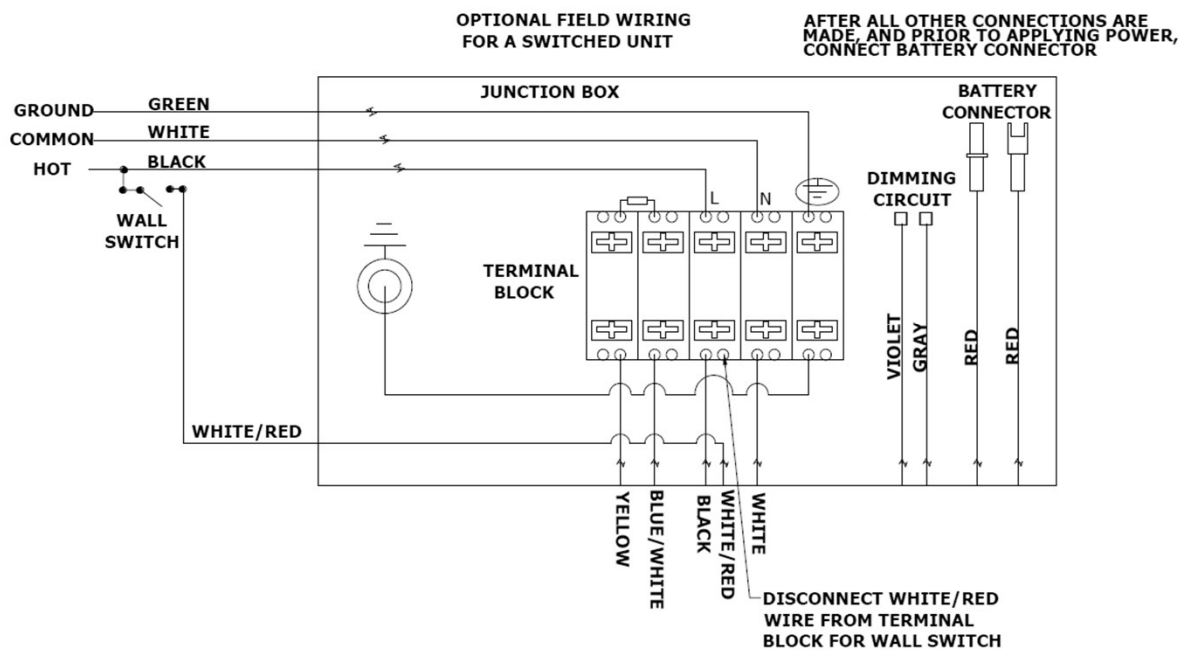
availinfra.com/rig-a-lite/

Rev. 2

INSTALLATION DATA SHEET

Wiring:

1. Before installing, make sure that the circuit is deactivated.
2. This unit is furnished completely assembled. Before installing, check the luminaire label to ensure correct voltage and frequency. Operate this luminaire at its rated voltage. See the luminaire label for data.
3. The LED driver in this luminaire is designed to operate on grounded neutral systems only.
4. Open the front cover by removing the four (4) 8-32 cover nuts.
5. Terminal Block for power leads are clearly marked. Connect the ground wire first. Then select the correct voltage leads as determined by the supply voltage to the luminaire and install the incoming black and white leads to the respective terminal block slot. The unit is factory wired for continuous incoming power. **If it is desired to switch the unit from a wall switch, remove the WHITE/RED wire from the terminal block and hook the incoming switched power lead to it.** The black wire must still have continuous incoming power.
6. After all connections are made, and prior to applying power, connect the battery connector together. This will allow the battery to discharge during a loss of supply power. The fixture will be in the emergency mode until power is applied.
7. Re-install the front cover, making sure the gasket is in position and tighten the cover nuts.
8. Close any un-used hubs with plugs provided.
9. Energize unit. A minimum 24 hour charge time is required to operate as emergency lighting equipment.



MAINTENANCE DATA:

1. Although no routine maintenance is required to keep this luminaire functional, it should be checked periodically to ensure it is working properly, and to look for any external damage.
2. To test the unit for emergency lighting function, turn the service power to the unit off. The unit will operate in the emergency lighting mode for a minimum of 90 minutes. This test should be conducted annually.
3. After testing, be sure to reapply power to the unit.
4. For optimum performance, keep the light transmission portion of the luminaire clean.



8500 Hansen Rd.
Houston, TX 77075 USA
MHLSEMIDS

Tel: 713-943-0340

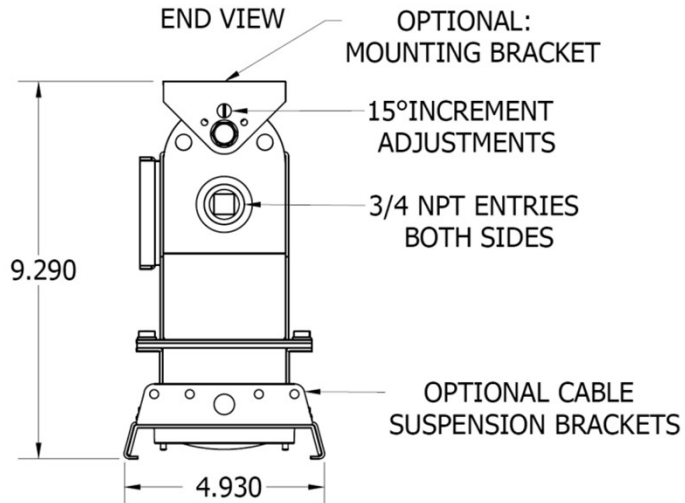
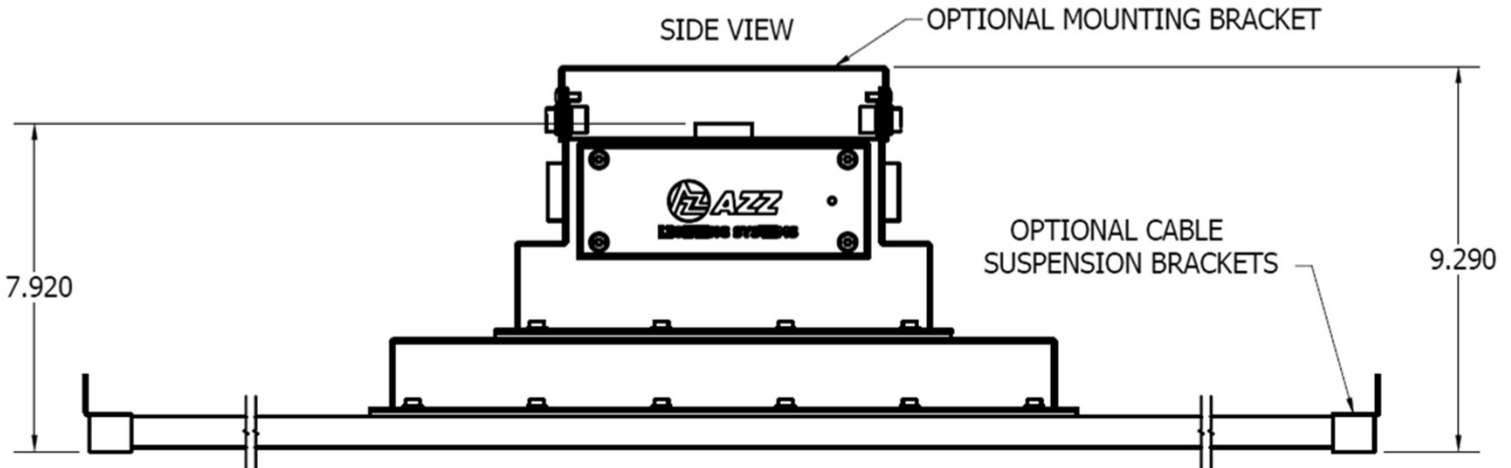
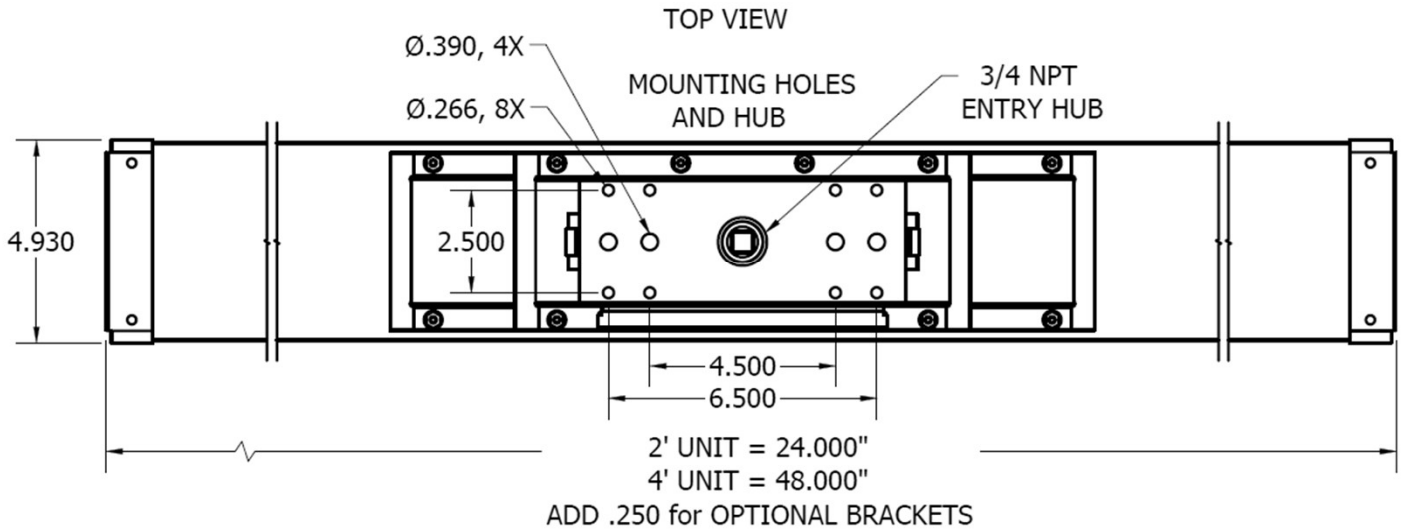
Oct 2022

availinfra.com/rig-a-lite/

Rev. 2

INSTALLATION DATA SHEET

DIMENSIONAL DATA



RIG-A-LITE™

8500 Hansen Rd.
Houston, TX 77075 USA
MHLSEMIDS

Tel: 713-943-0340

Oct 2022

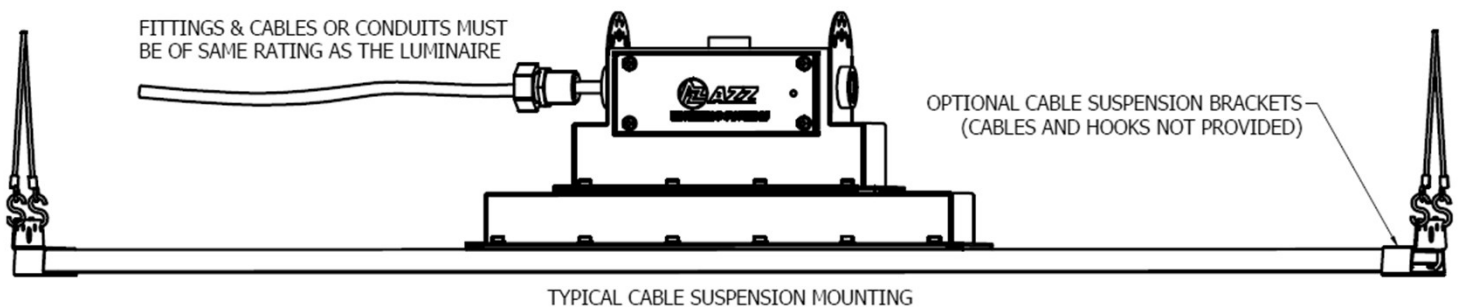
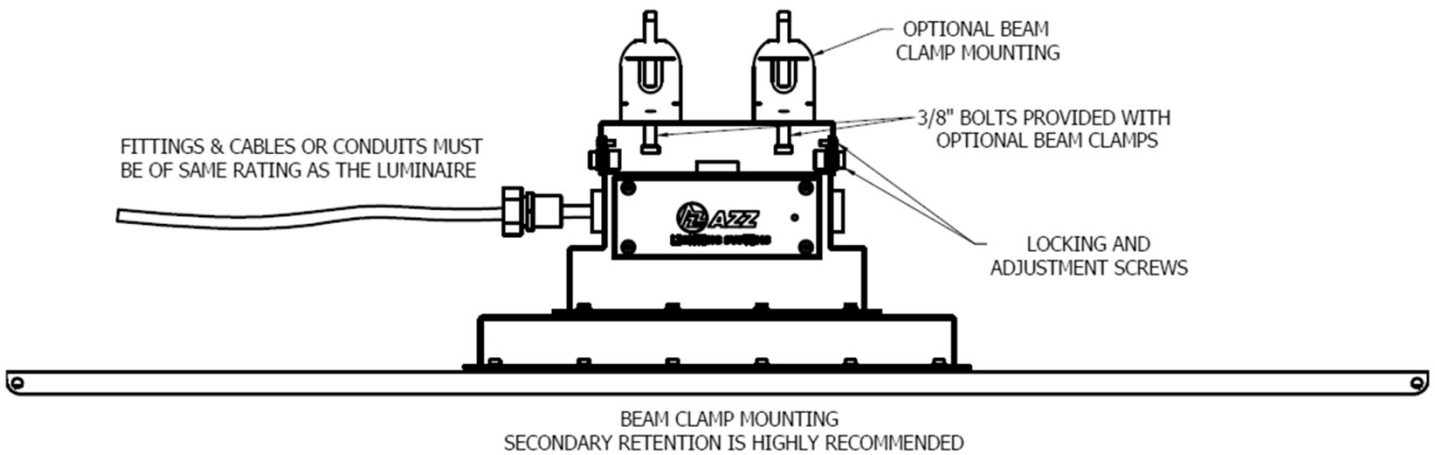
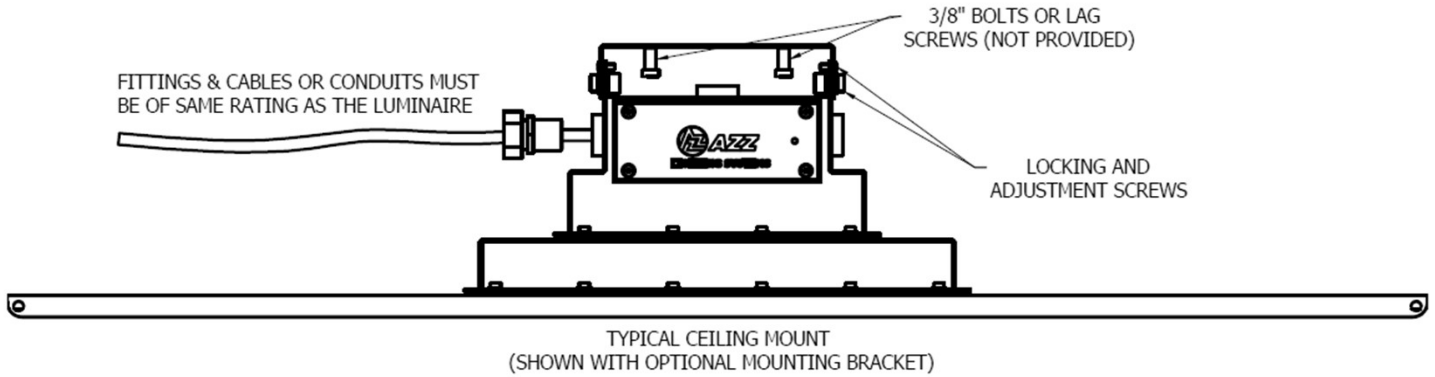
availinfra.com/rig-a-lite/

Rev. 2

INSTALLATION DATA SHEET

TYPICAL INSTALLATION AND MOUNTING INSTRUCTIONS

FOR REFERENCE ONLY, ALL WORK SHOULD BE PERFORMED BY QUALIFIED TECHNICIANS.
FITTINGS & CABLES OR CONDUITS MUST BE OF SAME RATING AS THE LUMINAIRE.
(NOT PROVIDED)



8500 Hansen Rd.
Houston, TX 77075 USA
MHLSEMIDS

Tel: 713-943-0340

Oct 2022

availinfra.com/rig-a-lite/

Rev. 2