

INSTALLATION DATA SHEET

EXSXPJ SERIES

LED LUMINAIRE FOR USE IN HAZARDOUS LOCATIONS



II 2 G Ex db IIB T6 Gb

II 2 D Ex tb IIIC T76°C Db
-20°C ≤ Tamb ≤ +55°C, IP66

ATEX: DEMKO 17 ATEX 1698X

IECEX: IECEX UL 17.0022X



WARNING!

- To reduce risk of fire or explosion, do not install where the marked operating temperature exceeds the ignition temperature of the hazardous atmosphere(s).
- These luminaires should be installed by qualified technicians using suitable hazardous location wiring methods in strict accordance with the National Electrical Code, NFPA 70 and any local requirements.
- To prevent risk of electrical shock, deactivate/ disconnect power supply before opening. Keep tightly closed when in operation.
- DO NOT OPEN WHEN ENERGIZED.
- DO NOT OPEN WHEN AN EXPLOSIVE GAS ATMOSPHERE IS PRESENT
- POTENTIAL ELECTROSTATIC CHARGING HAZARD – SEE MAINTENANCE DATA
- Install the luminaire in a location that minimizes the risk of impact

EQUIPMENT APPLICATION

This luminaire is intended for use in a hazardous atmosphere in Zone 1 and 21 to the requirements of ATEX Directive 94/9/EC. The product can be used inside or outside to illuminate areas with potentially hazardous atmosphere.

CONFORMITY WITH STANDARDS

This luminaire conforms to the standards specified in the Declaration of Conformity. It has been designed, manufactured and tested in accordance with BS EN 9001. 94/9 EC: Equipment and protective systems intended for use in potentially explosive atmospheres.

IEC 60079-0: 6th Edition (2011-06) + Corr. 1 (2012-01) + Corr. 2 (2013-12) – Explosive Atmospheres, General Requirements

IEC 60079-1: 7th Edition (2014-06) – Explosive Atmospheres - Equipment protection by flameproof enclosures “d”

IEC 60079-31: 2nd Edition - Explosive Atmospheres - Equipment protection by flameproof enclosures “t”

IEC 60529: 2.2 Edition with Corr. 1 (2013-10) + 2 (2015-01) - Degrees of Protection Provided by Enclosures (IP Code)

EN 60079-0:2012 + A11:2013 – Explosive Atmospheres, General Requirements

EN 60079-1:2014 – Explosive Atmospheres - Equipment protection by flameproof enclosures “d”

EN 60079-31:2014 - Explosive Atmospheres - Equipment protection by flameproof enclosures “t”

EN 60529:1991 + A12000 + A2:2013-Degrees of Protection Provided by Enclosures (IP Code)

REPAIRS / OVERHAUL / MODIFICATION:

The relevant national regulations which apply to the maintenance / servicing of electrical apparatus in hazardous atmospheres shall be observed. Only joint that is to be opened by the user is the driver housing and mount. Contact Rig-A-Lite for information on the flameproof joints. Should the Luminaire enclosure be damaged, only a replacement will be permitted. The luminaire should be returned to Rig-A-Lite for inspection/repair. Modifications to the device or changes of it's design are prohibited.

The equipment must be operated according to the intended purpose in a perfect and undamaged condition.



8500 Hansen Rd.
Houston, TX 77075 USA
86305EXSXPJ

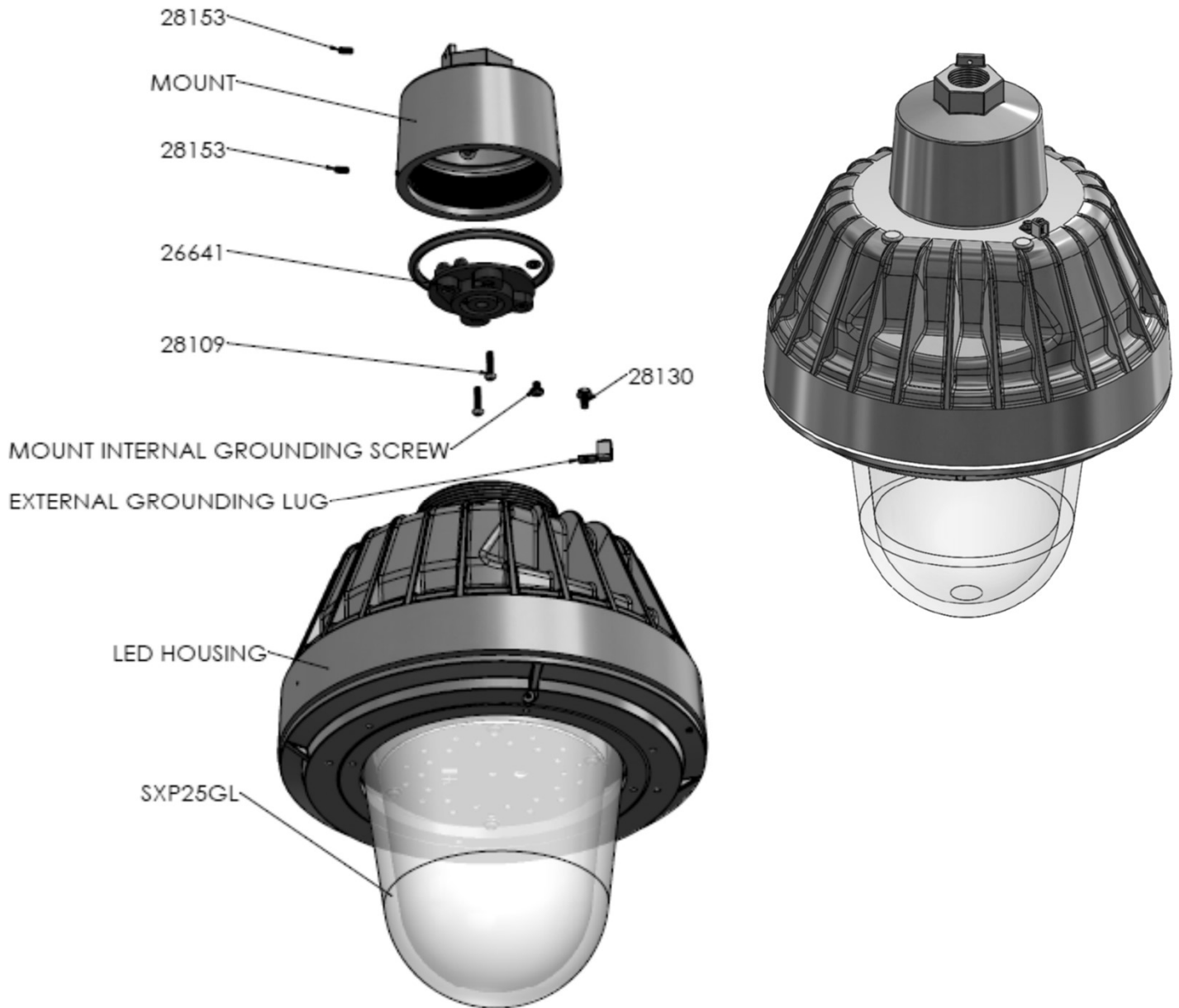
Tel: 713-943-0340

Oct 2022

availinfra.com/rig-a-lite/

Rev. 2

INSTALLATION DATA SHEET



Technical Data

Rated Input Voltage: 100-277VAC 50/60Hz
Operating Temperature -20°C to +55°C
Rated Input Power: 50 W, 70 W and 96 W
Housing Material: Copper Free Aluminum (less than 0.04% Aluminum).
Housing Finish: Greyhound Grey Baked-on Epoxy Powder Coat
Dimensions: See Dimensional Diagrams
Protection Glass: Tempered Glass
Conduit entries: 1 in NPT, 1-1/4 in NPT or 1-1/2 in NPT
Weight: up to 20.5 Kg (45 lbs)



8500 Hansen Rd.
Houston, TX 77075 USA
86305EXSXPJ

Tel: 713-943-0340

Oct 2022

availinfra.com/rig-a-lite/

Rev. 2

INSTALLATION DATA SHEET

INSTALLATION, WIRING AND ADJUSTMENTS:

1. This luminaire is equipped with 3/4 NPT or 1 NPT hubs for incoming power supply and sealing fitting (not provided). Luminaires are provided without conduit sealing devices, stopping plugs, and reducers. Proper selection of conduit sealing devices, stopping plugs and reducers must occur in the field. The conduit sealing device needs to be closest to the enclosure with a distance no more than the size of the conduit. When a reducer is installed to the enclosure, the sealing device and enclosure shall maintain the distance indicated above.
2. This unit is furnished completely assembled. Check the luminaire label to ensure correct voltage and frequency.
3. Before installing, make sure that the circuit is deactivated.
4. Loosen the set screw and unscrew the luminaire mount.
5. Loosen the two screws (28109) inside the mount and remove the contact assembly (26641).
6. Install the mount in place, tighten the set screw and pull the incoming wires from the conduit, through the mount's hub. For Wall mounts, secure to desired mounting surface using (4) 1/4in (M7) bolts or lag screws (not provided). For Trunnion mounts, secure to desired mounting surface using at least (2) 3/8in (M9) bolts or lag screws (not provided), make incoming power connection via mount's 1 NPT hub.
7. Attach the power leads to the contact assembly (26641) and attach the internal grounding lead (16 AWG or 1.5 mm² minimum) to the grounding screw.
8. Re-attach the contact assembly into the mount and tighten the (28109) screws.
9. Re-install the luminaire assembly and the mount, and tighten the set screw.
10. Attach the external grounding lead (12 AWG or 4 mm² minimum) to the lug provided on the back of the housing.
11. To make vertical adjustments on the trunnion, loosen the pivot bolts on the yoke and aim to desired angle.
12. Re-tighten the pivot bolts.

MAINTENANCE DATA:

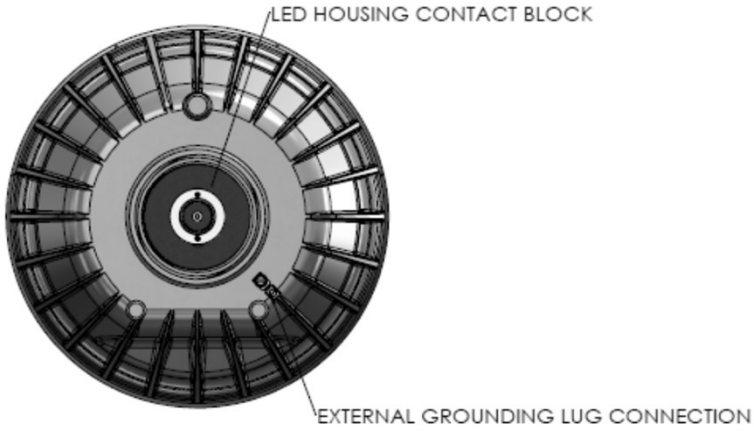
1. Although no routine maintenance is required to keep this luminaire functional, it should be checked periodically to ensure it is working properly, and to look for any external damage.
2. When using optional non-metallic reflectors, please use care not to build up electrostatic charges. Attention should be paid to maintaining a minimum insulation resistance to avoid problems arising from touching exposed non-metallic parts that are in contact with live parts. To reduce the risk of ignition of electrostatic discharge, avoid contact with the unit while an explosive atmosphere is present. Clean only with a damp cloth. Do not use strong abrasive cleaners.
3. For optimum performance, keep the light transmission portion of the luminaire clean.
4. Visually check for undue heating evidenced by discoloration of wires and other components, damaged parts or leakage of water or corrosion in the interior.
5. Only joints that is to be opened by the user is the driver housing and mount. Contact Rig-A-Lite for information on the flameproof joints.
5. Replace all worn, damaged or malfunctioning components. Check that all mechanical components are properly assembled and secure. Make sure all electrical connections are safe and secure.
6. Clean and inspect all gaskets before putting the luminaire back in service.
7. If this product is used in a combustible dust area, clean the outside on a regular basis to prevent excessive accumulation of dust.
8. An optional stainless steel wire guard, reflectors or both can be installed on the luminaire to protect the luminaire. Refer to Rig-A-Lite's website or contact your nearest Rig-A-Lite distributor for information.



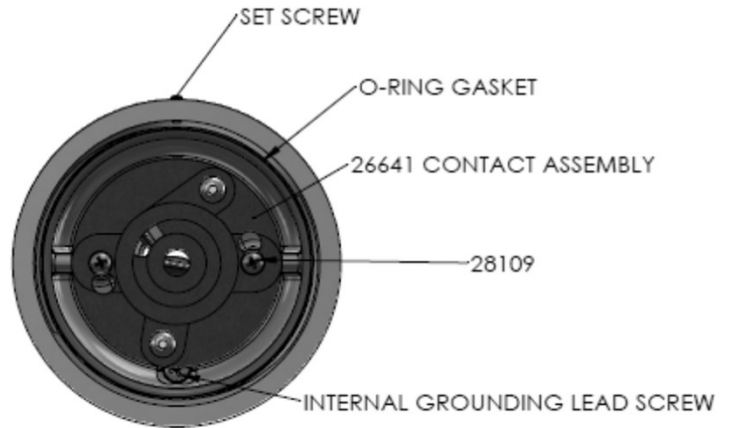
INSTALLATION DATA SHEET

MOUNT AND HOUSING CONTACT CONNECTION

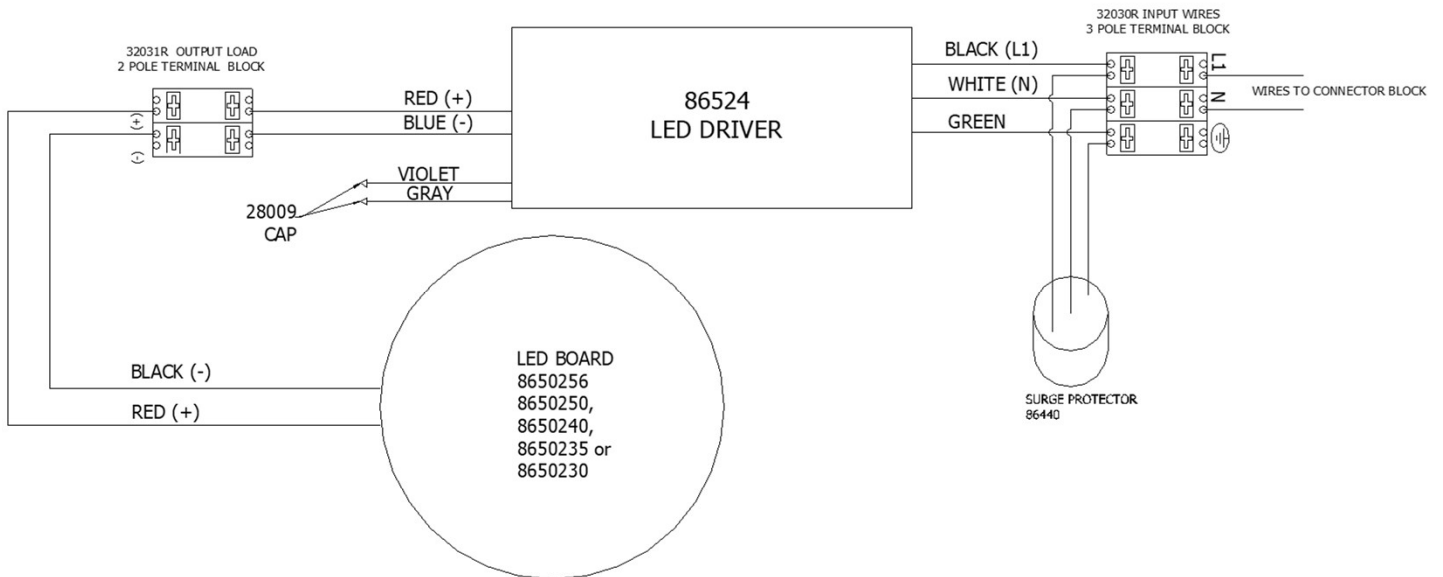
LED HOUSING



MOUNT



WIRING DIAGRAMS



EXSXPJ06L2U



8500 Hansen Rd.
Houston, TX 77075 USA
86305EXSXPJ

Tel: 713-943-0340

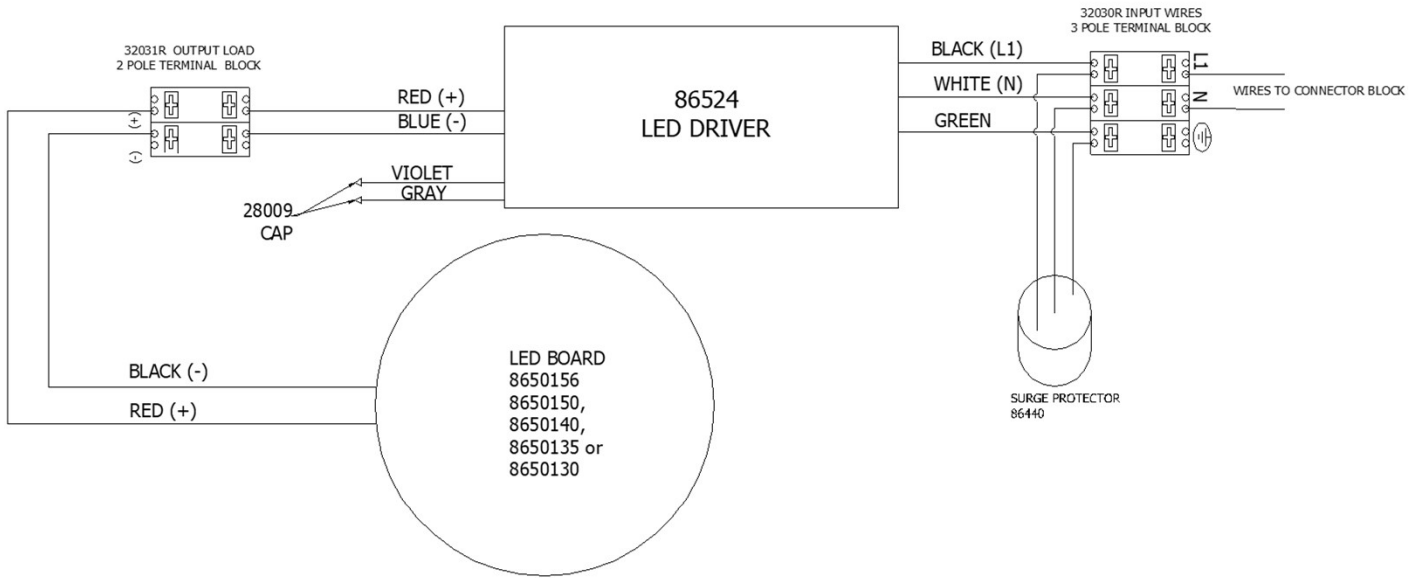
Oct 2022

availinfra.com/rig-a-lite/

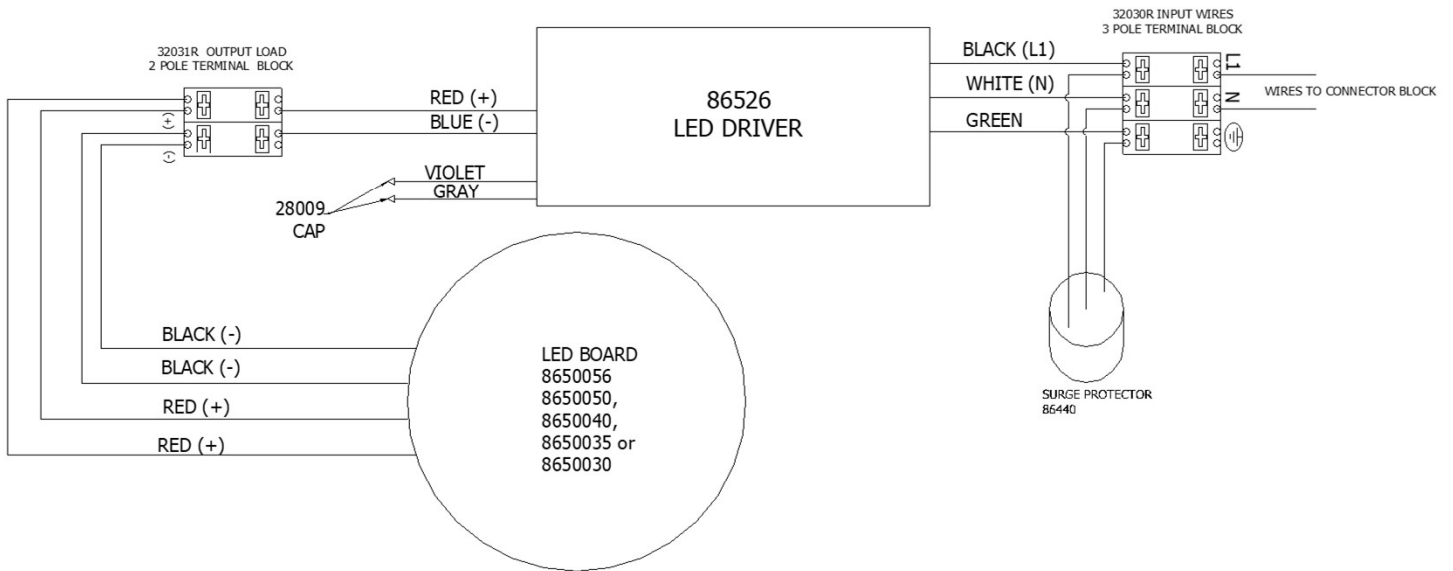
Rev. 2

INSTALLATION DATA SHEET

WIRING DIAGRAMS



EXSXPJ09L2U



EXSXPJ11L2U



8500 Hansen Rd.
Houston, TX 77075 USA
86305EXSXPJ

Tel: 713-943-0340

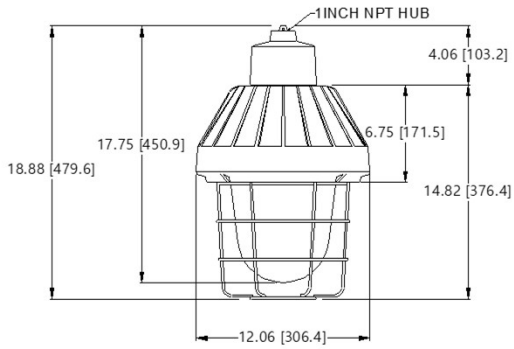
Oct 2022

availinfra.com/rig-a-lite/

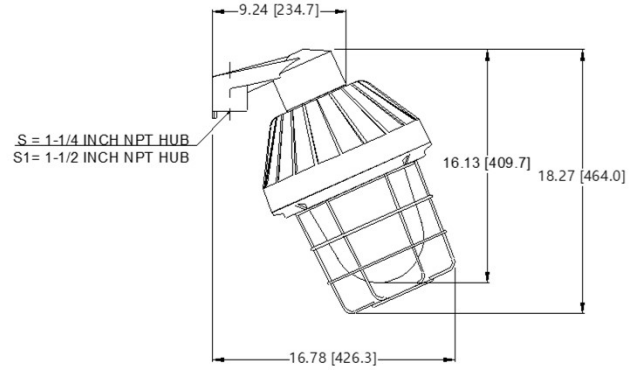
Rev. 2

INSTALLATION DATA SHEET

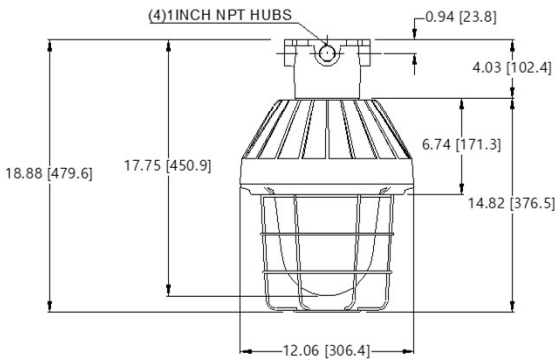
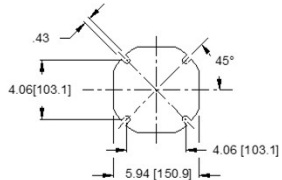
DIMENSIONAL DATA



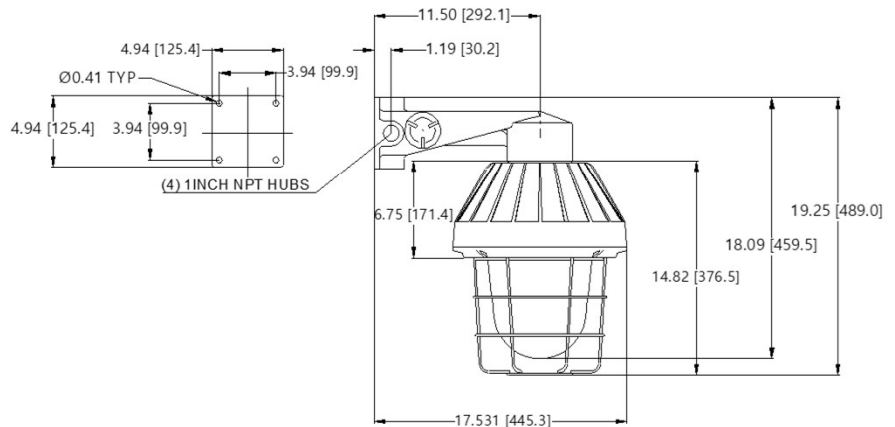
PENDANT MOUNT
SHIPPING WEIGHT: 40 LBS [18.2Kg]



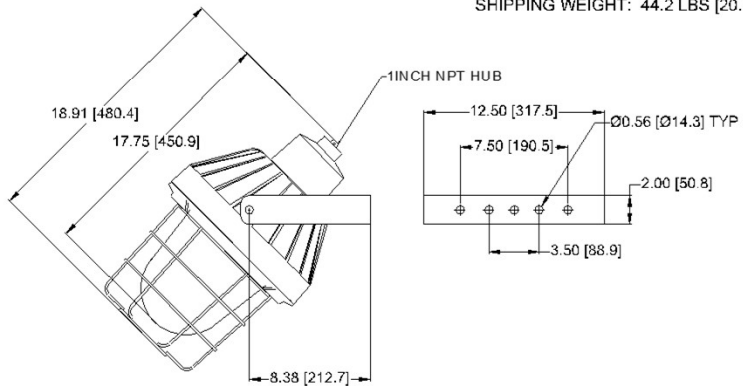
STANCHION MOUNT
SHIPPING WEIGHT: 41.2 LBS [18.7Kg]



CEILING MOUNT
SHIPPING WEIGHT: 42 LBS [19.1Kg]



WALL MOUNT
SHIPPING WEIGHT: 44.2 LBS [20.1Kg]



TRUNNION MOUNT
SHIPPING WEIGHT: 45.0 LBS [20.4Kg]



8500 Hansen Rd.
Houston, TX 77075 USA
86305EXSXPJ

Tel: 713-943-0340

Oct 2022

availinfra.com/rig-a-lite/

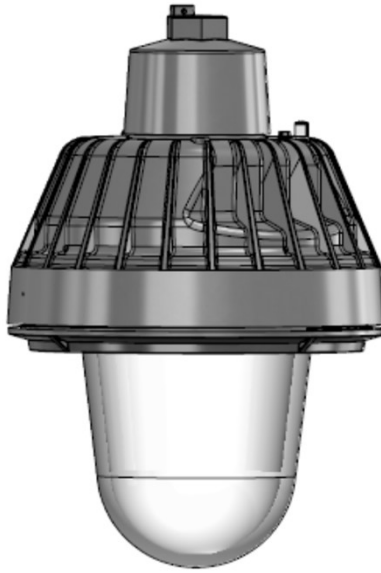
Rev. 2

INSTALLATION DATA SHEET

MOUNTING OPTIONS



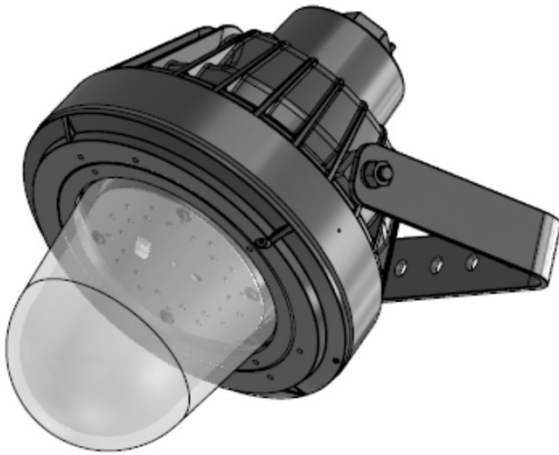
CEILING MOUNT



PENDANT MOUNT



STANCHION MOUNT



TRUNNION MOUNT



WALL MOUNT



8500 Hansen Rd.
Houston, TX 77075 USA
86305EXSXPJ

Tel: 713-943-0340

Oct 2022

availinfra.com/rig-a-lite/

Rev. 2