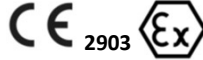


INSTALLATION DATA SHEET

EXSAFJ SERIES

LED LUMINAIRE FOR USE IN HAZARDOUS LOCATIONS



II 3 G Ex nA IIC TX Gc
II 2 D Ex tb IIIC TXX°C Db
-40°C ≤ Tamb ≤ +65°C, IP66
-40°C ≤ Tamb ≤ +55°C, IP66

ATEX: DEMKO 18 ATEX 2047X

ATEX: DEMKO 18 ATEX 1797X

IECEX: IECEX UL 18.0035X

WARNING!

- To reduce risk of fire or explosion, do not install where the marked operating temperature exceeds the ignition temperature of the hazardous atmosphere(s).
- These luminaires should be installed by qualified technicians using suitable hazardous location wiring methods in strict accordance with the National Electrical Code, NFPA 70 and any local requirements.
- To prevent risk of electrical shock, deactivate/ disconnect power supply before opening. Keep tightly closed when in operation.
- DO NOT OPEN WHEN ENERGIZED.
- DO NOT OPEN WHEN AN EXPLOSIVE GAS ATMOSPHERE IS PRESENT
- POTENTIAL ELECTROSTATIC CHARGING HAZARD – SEE MAINTENANCE DATA
- Install the luminaire in a location that minimizes the risk of impact

EQUIPMENT APPLICATION

This luminaire is intended for use in a hazardous atmosphere in Zones 2 and 21 to the requirements of ATEX Directive 2014/34/EU . The product can be used inside or outside to illuminate areas with potentially hazardous atmospheres given in Annex II to the Directive.

CONFORMITY WITH STANDARDS

This luminaire conforms to the standards specified in the Declaration of Conformity. It has been designed, manufactured and tested in accordance with BS EN 9001. ATEX Directive 2014/34/EU : Equipment and protective systems intended for use in potentially explosive atmospheres.

IEC 60079-0: 6th Edition (2011-06) + Corr. 1 (2012-01) + Corr. 2 (2013-12)– Explosive Atmospheres, General Requirements

IEC 60079-15 4th Edition (2010-04) - Equipment protection by type of protection "n"

IEC 60079-31: 2nd Edition - Explosive Atmospheres - Equipment protection by flameproof enclosures "t"

EN 60079-0:2012 + A11:2013 – Explosive Atmospheres, General Requirements

EN 60079-15:2010 - Equipment protection by type of protection "n"

EN 60079-31:2014 - Explosive Atmospheres - Equipment protection by flameproof enclosures "t"

REPAIRS / OVERHAUL / MODIFICATION:

The relevant national regulations which apply to the maintenance / servicing of electrical apparatus in hazardous atmospheres shall be observed. The only serviceable joint that is to be opened by the user is the driver housing cover. Contact Rig-A-Lite for information on other joints. Optic housing is not to be opened or serviced in the field. Should the Luminaire enclosure be damaged, only a replacement will be permitted. The luminaire should be returned to Rig-A-Lite for inspection/repair. Modifications to the device or changes of it's design are prohibited.

The equipment must be operated according to the intended purpose in a perfect and undamaged condition.



8500 Hansen Rd.
Houston, TX 77075 USA
86305EXSAFJ

Tel: 713-943-0340

Oct 2022

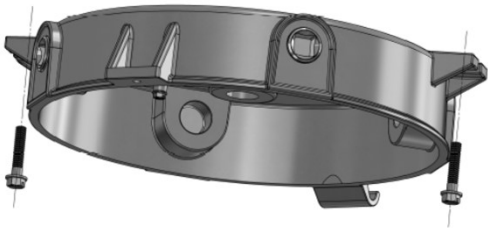
availinfra.com/rig-a-lite/

Rev. 1

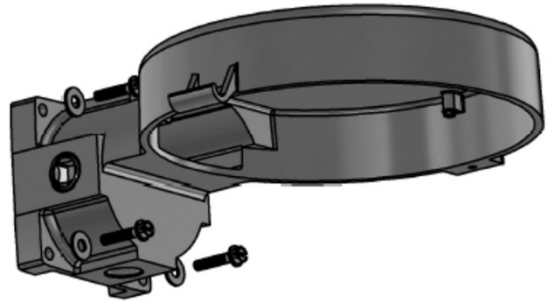
INSTALLATION DATA SHEET

INSTALLATION:

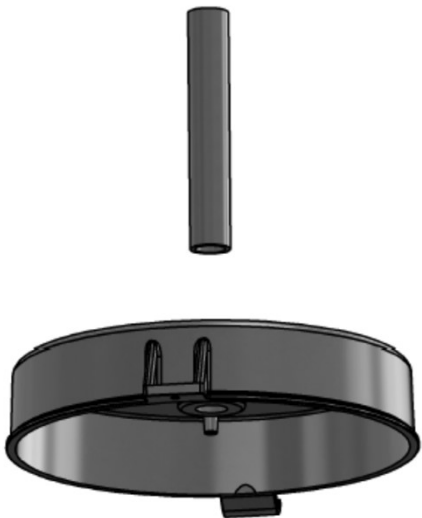
1. The luminaire should be installed per USCG-46CFR, subchapter J, parts 100-113 for all marine applications.
2. These luminaires are equipped with $\frac{3}{4}$ in or 1 in NPT hubs (Ceiling, Pendant, Wall) or 1.25 in or 1.5 in hubs (Stanchion mounts) for incoming power leads.
3. Secure the luminaire top mount to desired mounting surface using proper techniques for the selected mount.



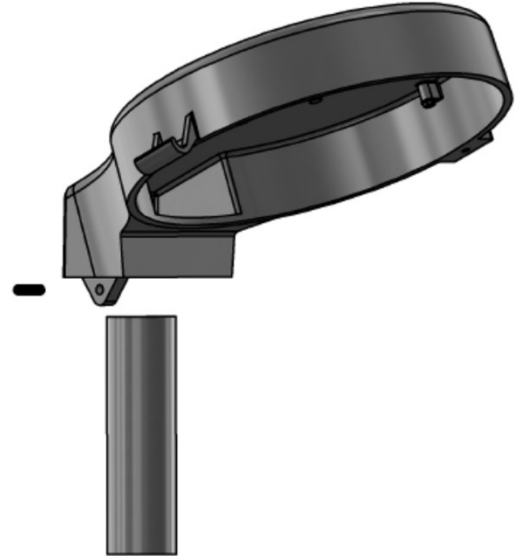
Ceiling Mount



Wall Mount



Pendant Mount



Stanchion Mount
(25° and 90°)



8500 Hansen Rd.
Houston, TX 77075 USA
86305EXSAFJ

Tel: 713-943-0340

Oct 2022

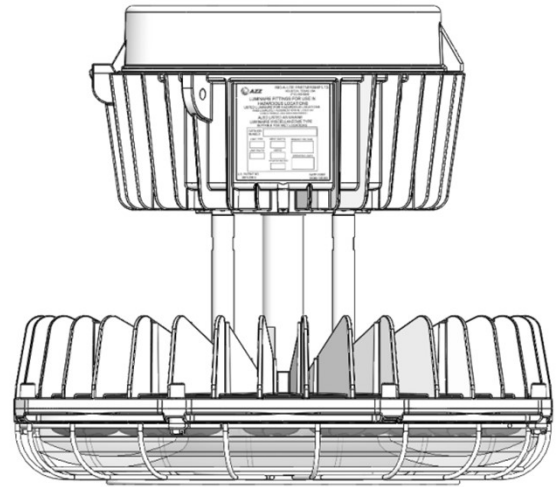
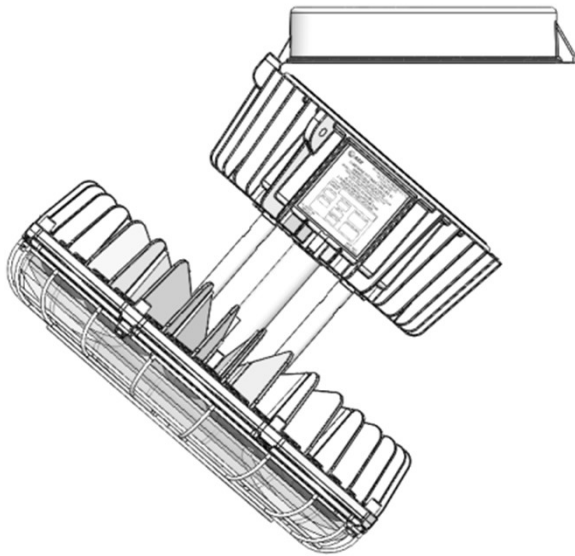
availinfra.com/rig-a-lite/

Rev. 1

INSTALLATION DATA SHEET

INSTALLATION, WIRING AND ADJUSTMENTS:

1. This luminaire is equipped with $\frac{3}{4}$ NPT, 1 NPT, 1-1/4 NPT or 1-1/2 NPT hubs for incoming power supply and sealing fitting (not provided). Luminaires are provided without conduit sealing devices, stopping plugs, and reducers. Proper selection of Ex rated conduit, stopping plugs and reducers must occur in the field.
2. This unit is furnished completely assembled. Check the luminaire label to ensure correct voltage and frequency.
3. Before installing, make sure that the circuit is deactivated.
4. Loosen the housing screw and remove the luminaire mount.
5. Install the mount in place, tighten the set screw if needed and pull the incoming wires from the conduit, through the mount's hub. For wall and ceiling mounts, secure to desired mounting surface using 1/4in UNC or (M7) bolts or lag screws (not provided).
6. Place the Luminaire Housing on the mounting top's hinge.
7. Attach the power leads to the Input Terminal Block and attach the internal grounding lead (16 AWG or 1.5 mm² minimum) to the grounding point.
8. Close the luminaire assembly to the mount, and tighten the housing screw.
9. Attach the external grounding lead (12 AWG or 4 mm² minimum) to the lug provided on the luminaire.



8500 Hansen Rd.
Houston, TX 77075 USA
86305EXSAFJ

Tel: 713-943-0340

Oct 2022

availinfra.com/rig-a-lite/

Rev. 1

INSTALLATION DATA SHEET

MAINTENANCE DATA:

1. Although no routine maintenance is required to keep this luminaire functional, it should be checked periodically to ensure it is working properly, and to look for any external damage.
2. For optimum performance, keep the light transmission portion of the luminaire clean.
3. Visually check for undue heating evidenced by discoloration of wires and other components, damaged parts or leakage of water or corrosion in the interior.
4. Only joints that is to be opened by the user is the driver housing and mount. Contact Rig-A-Lite Partnership, Ltd. for information on other joints. Optic housing is not to be opened or serviced in the field.
5. Replace all worn, damaged or malfunctioning components. Check that all mechanical components are properly assembled and secure. Make sure all electrical connections are safe and secure.
6. Clean and inspect all gaskets before putting the luminaire back in service.
7. If this product is used in a combustible dust area, clean the outside on a regular basis to prevent excessive accumulation of dust. To reduce the risk of ignition due to electrostatic discharge, avoid contact with the luminaire while an explosive atmosphere is present. Clean Only with a Damp Cloth.
8. An optional stainless steel wire guard can be installed on the luminaire to protect the luminaire.
Refer to Rig-A-Lite's website or contact your nearest Rig-A-Lite distributor for information.

Technical Data

Rated Input Voltage: 100-277VAC 50/60Hz

Operating Temperature -40°C to +65°C, -40°C to +55°C

Luminaire Service Temperature: 76°C

Rated Input Power: 160 W, 210W and 250 W

Housing Material: Copper Free Aluminum (less than 0.04% Aluminum).

Housing Finish: Greyhound Grey Baked-on Epoxy Powder Coat

Dimensions: See Dimensional Diagrams

Protection Glass: Tempered Glass

Conduit entries: ¾ in NPT, 1 in NPT, 1-1/4 in NPT or 1-1/2 in NPT

Weight: up to 8.2 Kg (18 lbs)



8500 Hansen Rd.
Houston, TX 77075 USA
86305EXSAFJ

Tel: 713-943-0340

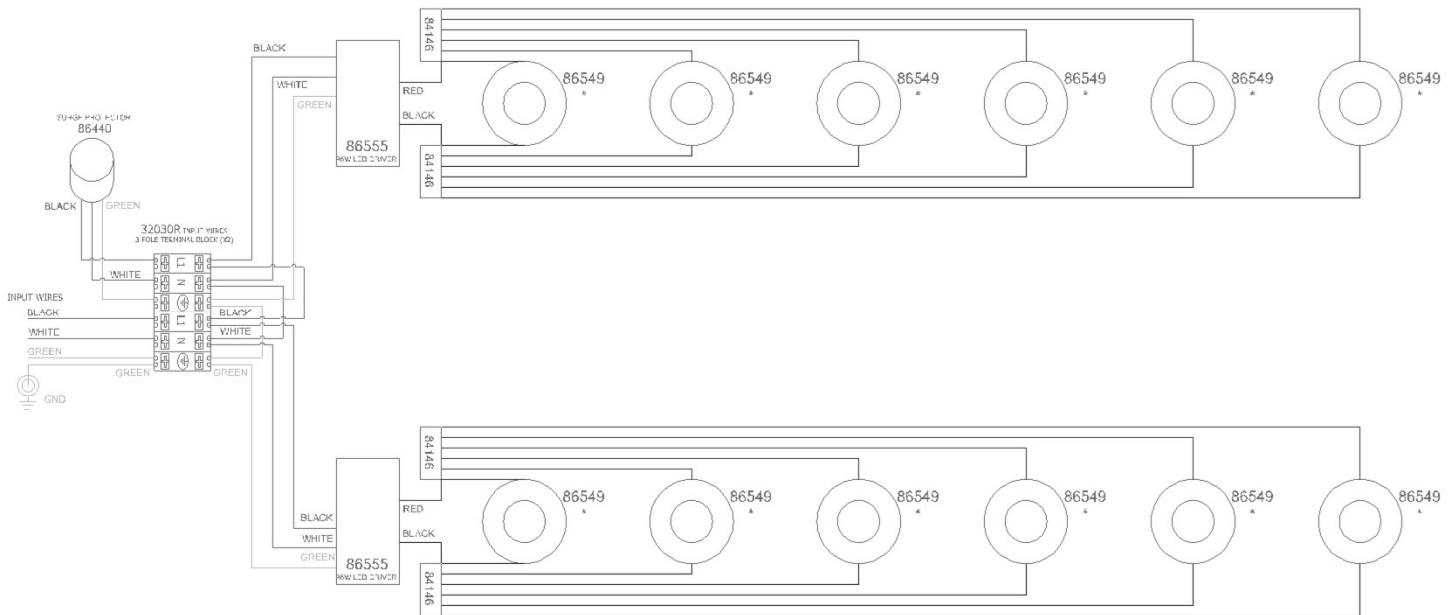
Oct 2022

availinfra.com/rig-a-lite/

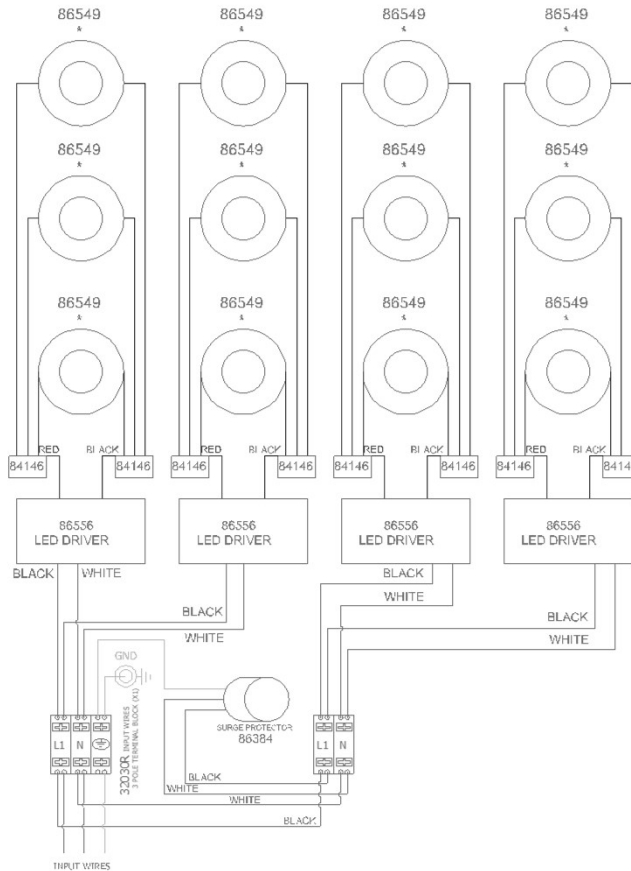
Rev. 1

INSTALLATION DATA SHEET

WIRING DIAGRAMS



EXSAFJ16L3U



EXSAFJ16L3N



8500 Hansen Rd.
Houston, TX 77075 USA
86305EXSAFJ

Tel: 713-943-0340

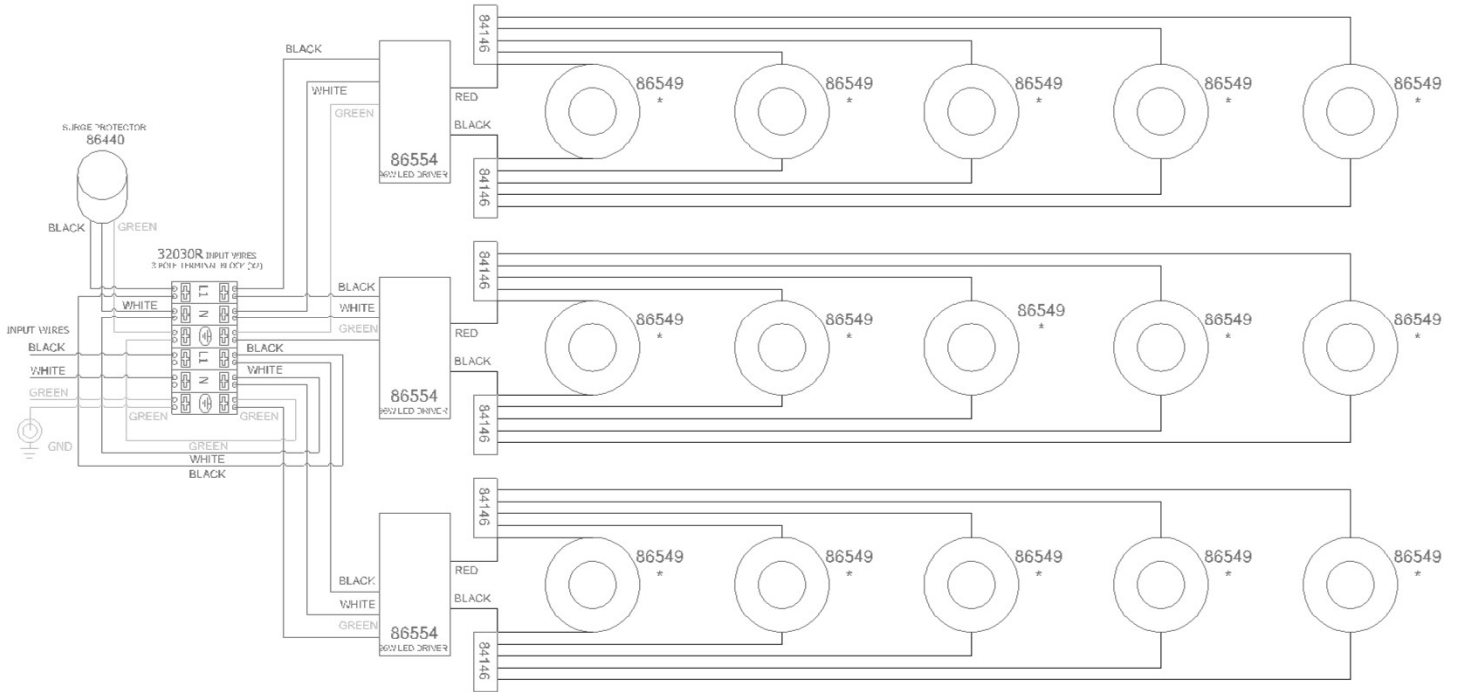
Oct 2022

availinfra.com/rig-a-lite/

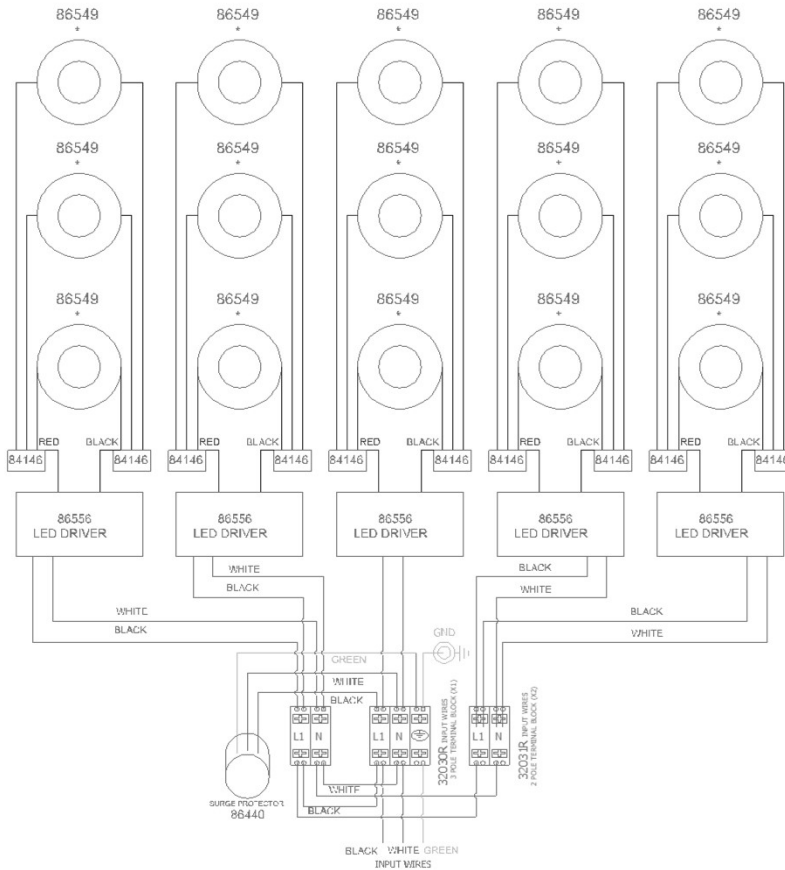
Rev. 1

INSTALLATION DATA SHEET

WIRING DIAGRAMS



EXSAFJ21L3U



EXSAFJ21L3N



8500 Hansen Rd.
Houston, TX 77075 USA
86305EXSAFJ

Tel: 713-943-0340

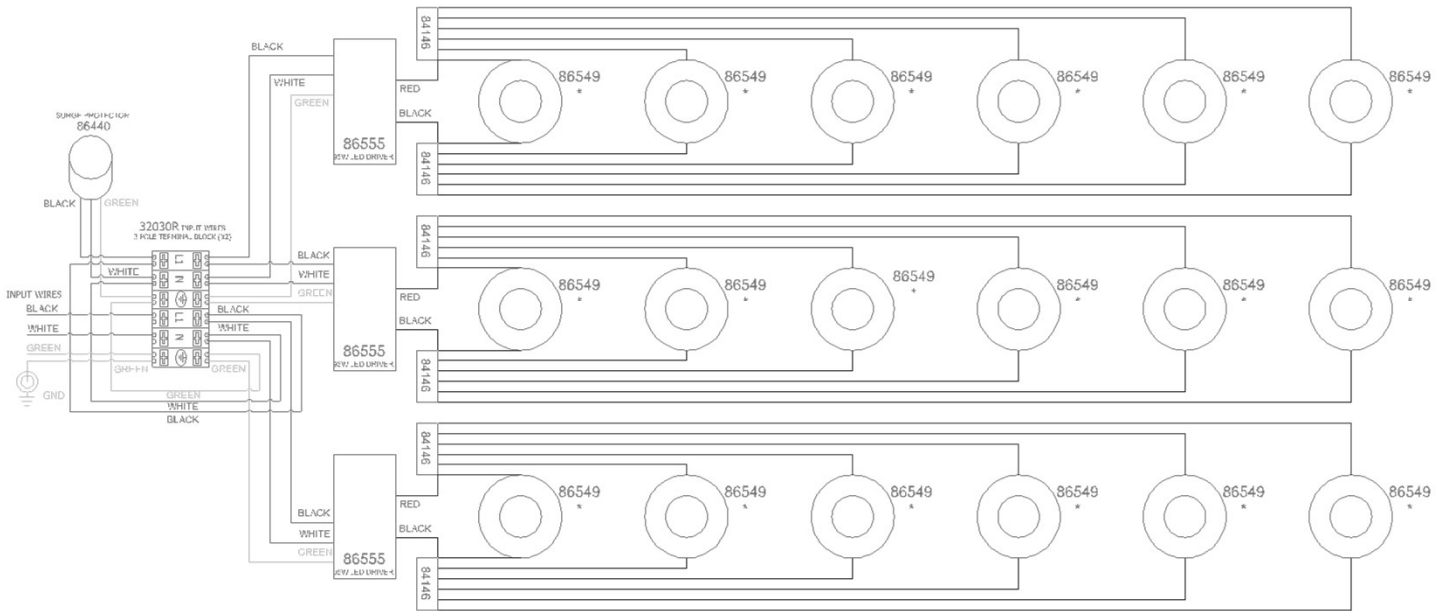
Oct 2022

availinfra.com/rig-a-lite/

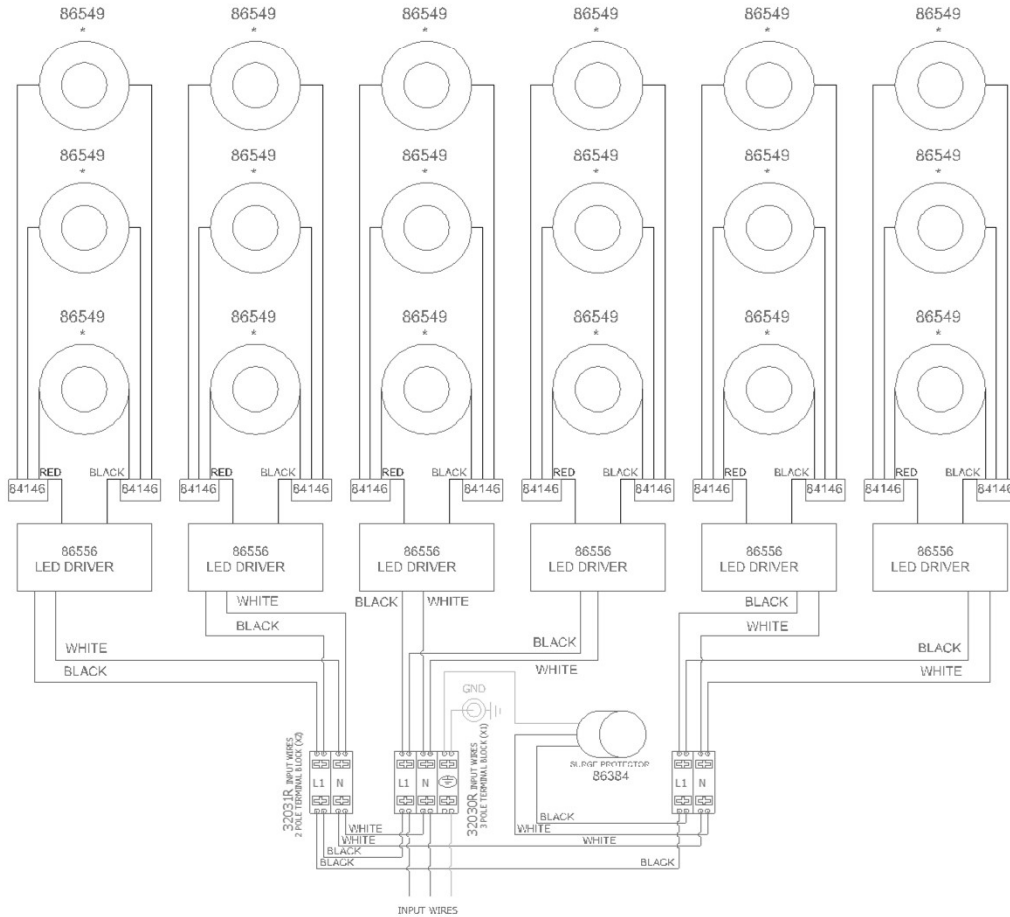
Rev. 1

INSTALLATION DATA SHEET

WIRING DIAGRAMS



EXSAFJ24L3U



EXSAFJ24L3N



8500 Hansen Rd.
Houston, TX 77075 USA
86305EXSAFJ

Tel: 713-943-0340

Oct 2022

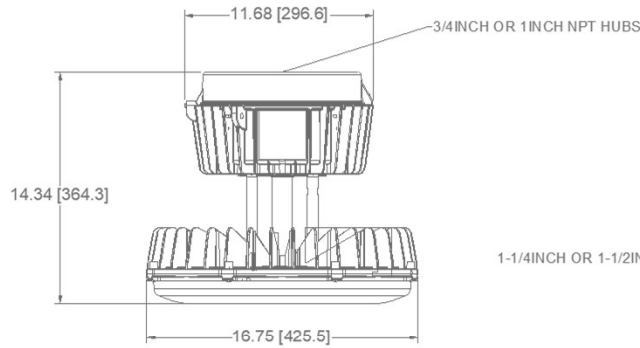
availinfra.com/rig-a-lite/

Rev. 1

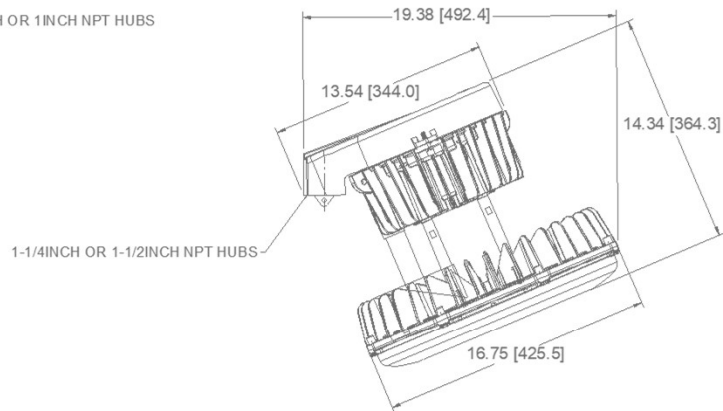
INSTALLATION DATA SHEET

DIMENSIONAL DATA

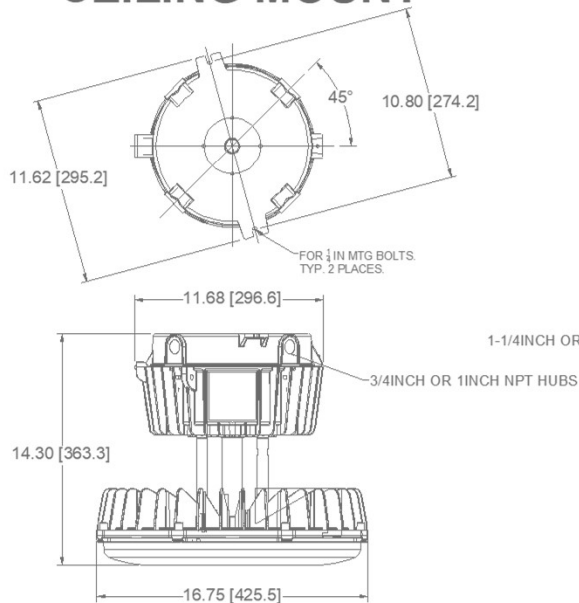
PENDANT MOUNT



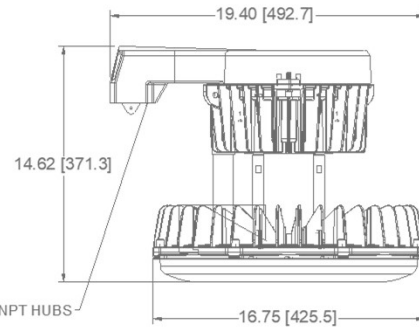
25° STANCHION MOUNT



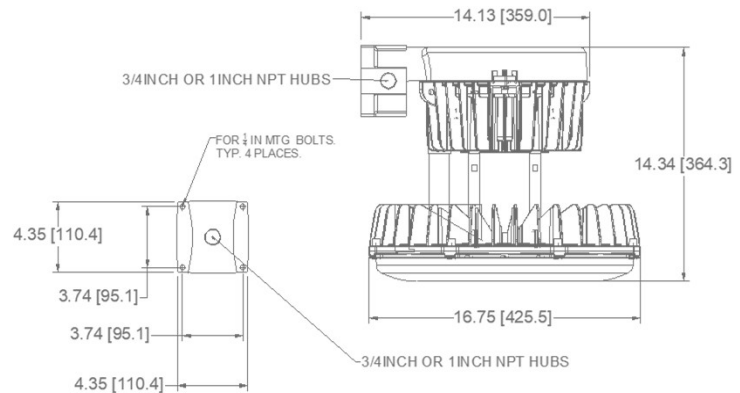
CEILING MOUNT



90° STANCHION MOUNT



WALL MOUNT



8500 Hansen Rd.
Houston, TX 77075 USA
86305EXSAFJ

Tel: 713-943-0340

Oct 2022

availinfra.com/rig-a-lite/

Rev. 1