

INSTALLATION DATA SHEET

EXML SERIES

LED LUMINAIRE FOR USE IN HAZARDOUS LOCATIONS



II 2 G Ex db IIB Gb

°C ≤ Tamb ≤ °C*

ATEX: DEMKO 17 ATEX 1825X

IECEX: IECEX UL 17.0004X

*Refer to Technical Data for T-code, and minimum and maximum ambient ratings

WARNING!

- To reduce risk of fire or explosion, do not install where the marked operating temperature exceeds the ignition temperature of the hazardous atmosphere(s).
- These luminaires should be installed by qualified technicians using suitable hazardous location wiring methods in strict accordance with the National Electrical Code, NFPA 70 and any local requirements.
- To prevent risk of electrical shock, deactivate/ disconnect power supply before opening. Keep tightly closed when in operation.
- DO NOT OPEN WHEN ENERGIZED.
- DO NOT OPEN WHEN AN EXPLOSIVE GAS ATMOSPHERE IS PRESENT
- POTENTIAL ELECTROSTATIC CHARGING HAZARD – SEE MAINTENANCE DATA
- Install the luminaire in a location that minimizes the risk of impact

EQUIPMENT APPLICATION

This luminaire is intended for use in a hazardous atmosphere in Zones 1 and 2 to the requirements of ATEX Directive 2014/34/EU . The product can be used inside or outside to illuminate areas with potentially hazardous atmospheres given in Annex II to the Directive .

CONFORMITY WITH STANDARDS

This luminaire conforms to the standards specified in the Declaration of Conformity. It has been designed, manufactured and tested in accordance with BS EN 9001. ATEX Directive 2014/34/EU : Equipment and protective systems intended for use in potentially explosive atmospheres.

IEC 60079-0: 6th Edition (2011-06) + Corr. 1 (2012-01) + Corr. 2 (2013-12)– Explosive Atmospheres, General Requirements

IEC 60079-1: 7th Edition (2014-06) – Explosive Atmospheres - Equipment protection by flameproof enclosures “d”

EN 60079-0:2012 + A11:2013 – Explosive Atmospheres, General Requirements

EN 60079-1:2014 – Explosive Atmospheres - Equipment protection by flameproof enclosures “d”

REPAIRS / OVERHAUL / MODIFICATION:

The relevant national regulations which apply to the maintenance / servicing of electrical apparatus in hazardous atmospheres shall be observed. Only joint that is to be opened by the user is the wiring compartment cover. Contact Rig-A-Lite for information on the flameproof joints. Should the luminaire enclosure be damaged, only a replacement will be permitted. The luminaire should be returned to Rig-A-Lite for inspection/repair. Modifications to the device or changes of it’s design are prohibited.

The equipment must be operated according to the intended purpose in a perfect and undamaged condition.



8500 Hansen Rd.
Houston, TX 77075 USA
86305EXML

Tel: 713-943-0340

Oct 2022

availinfra.com/rig-a-lite/

Rev. 5

INSTALLATION DATA SHEET

TECHNICAL DATA

Individual Model Ratings					
Model	Voltage (Vac), Frequency (Hz)	Current (A)	Wattage (W)	Ambient Temperature Range	Temperature Class
EXML14LC4U	120-277 Vac, 50/60 Hz	0.76-0.34	91	-40°C to 60°C	T6
EXML14LC4N	347/480 Vac, 60 Hz	0.26/0.19	90	-40°C to 60°C	T6
EXML14LC4AFB	120 V, 60 Hz	0.76	91	-40°C to 60°C	T6
EXML14LC4BFB	220-240 V, 50/60 Hz	0.38	91	-40°C to 60°C	T6
EXML14LC4CFB	277, 60 Hz	0.34	91	-40°C to 60°C	T6
EXML11LC4U	120-277 Vac, 50/60 Hz	0.70-0.31	80	-40°C to 60°C	T6
EXML11LC4N	347/480 Vac, 60 Hz	0.21/0.15	80	-40°C to 60°C	T6
EXML11LC4AFB	120 V, 60 Hz	0.7	80	-40°C to 60°C	T6
EXML11LC4BFB	220-240 V, 50/60 Hz	0.34	80	-40°C to 60°C	T6
EXML11LC4CFB	277, 60 Hz	0.31	80	-40°C to 60°C	T6
EXML09LC4U	120-277 Vac, 50/60 Hz	0.62-0.28	74	-40°C to 60°C	T6
EXML09LC4N	347/480 Vac, 60 Hz	0.21/0.16	74	-40°C to 60°C	T6
EXML09LC4AFB	120 V, 60 Hz	0.62	74	-40°C to 60°C	T6
EXML09LC4BFB	220-240 V, 50/60 Hz	0.32	74	-40°C to 60°C	T6
EXML09LC4CFB	277, 60 Hz	0.28	74	-40°C to 60°C	T6
EXML09LC4UHA	120-277 Vac, 50/60 Hz	0.60-0.29	72	-30°C to +65°C	T5
EXML09LC4AFBHA	120 V, 60 Hz	0.6	72	-30°C to +65°C	T5
EXML09LC4BFBHA	220-240 V, 50/60 Hz	0.32	72	-30°C to +65°C	T5
EXML09LC4CFBHA	277, 60 Hz	0.29	72	-30°C to +65°C	T5
EXML07LC4U	120-277 Vac, 50/60 Hz	0.43-0.21	54	-40°C to 60°C	T6
EXML07LC4N	347/480 Vac, 60 Hz	0.14/0.10	54	-40°C to 60°C	T6
EXML07LC4AFB	120 V, 60 Hz	0.43	54	-40°C to 60°C	T6
EXML07LC4BFB	220-240 V, 50/60 Hz	0.23	54	-40°C to 60°C	T6
EXML07LC4CFB	277, 60 Hz	0.21	54	-40°C to 60°C	T6
EXML07LC4UHA	120-277 Vac, 50/60 Hz	0.75-0.30	75	-30°C to +65°C	T5
EXML07LC4AFBHA	120 V, 60 Hz	0.75	75	-30°C to +65°C	T5
EXML07LC4BFBHA	220-240 V, 50/60 Hz	0.31	75	-30°C to +65°C	T5
EXML07LC4CFBHA	277, 60 Hz	0.3	75	-30°C to +65°C	T5
EXML06LC2U	120-277 Vac, 50/60 Hz	0.39-0.18	47	-40°C to +55°C	T6
EXML06LC2N	347/480 Vac, 60 Hz	0.13/0.10	46	-40°C to +55°C	T6
EXML06LC2AFB	120 V, 60 Hz	0.39	47	-40°C to +55°C	T6
EXML06LC2BFB	220-240 V, 50/60 Hz	0.2	47	-40°C to +55°C	T6
EXML06LC2CFB	277, 60 Hz	0.18	47	-40°C to +55°C	T6
EXML05LC2U	120-277 Vac, 50/60 Hz	0.32-0.15	39	-40°C to +55°C	T6
EXML05LC2N	347/480 Vac, 60 Hz	0.11/0.08	38	-40°C to +55°C	T6
EXML05LC2AFB	120 V, 60 Hz	0.32	39	-40°C to +55°C	T6
EXML05LC2BFB	220-240 V, 50/60 Hz	0.17	39	-40°C to +55°C	T6
EXML05LC2CFB	277, 60 Hz	0.15	39	-40°C to +55°C	T6
EXML04LC2U	120-277 Vac, 50/60 Hz	0.24-0.12	30	-40°C to +55°C	T6
EXML04LC2N	347/480 Vac, 60 Hz	0.08/0.06	30	-40°C to +55°C	T6
EXML04LC2AFB	120 V, 60 Hz	0.24	30	-40°C to +55°C	T6
EXML04LC2BFB	220-240 V, 50/60 Hz	0.13	30	-40°C to +55°C	T6
EXML04LC2CFB	277, 60 Hz	0.12	30	-40°C to +55°C	T6



8500 Hansen Rd.
Houston, TX 77075 USA
86305EXML

Tel: 713-943-0340

Oct 2022

availinfra.com/rig-a-lite/

Rev. 5

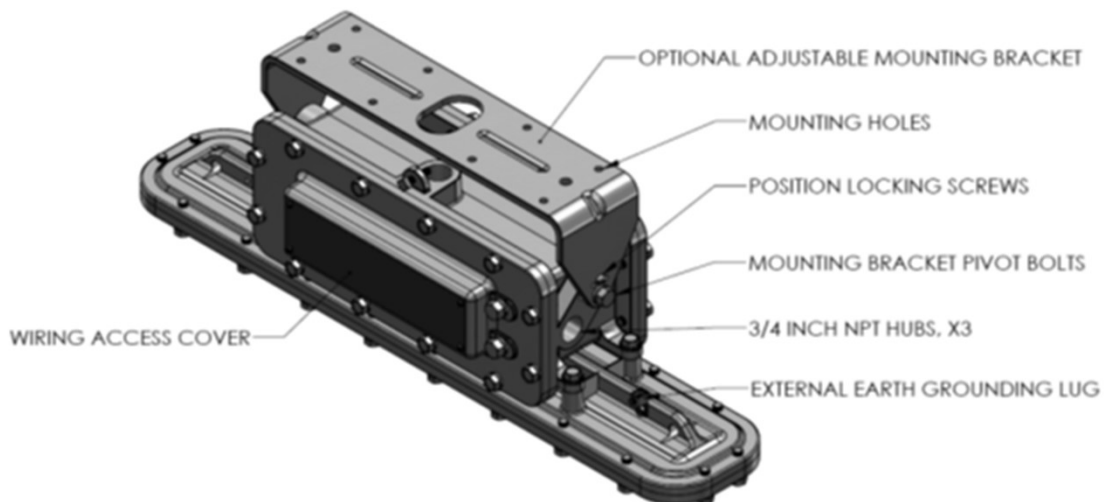
INSTALLATION DATA SHEET

INSTALLATION, WIRING AND ADJUSTMENTS:

1. This luminaire is equipped with ¾ inch NPT hubs for incoming power supply and sealing fitting (not provided). Luminaires are provided without conduit sealing devices, stopping plugs, and reducers. Proper selection of conduit sealing devices , stopping plugs and reducers must occur in the field. The conduit sealing device needs to be closest to the enclosure with a distance no more than the size of the conduit. When a reducer is installed to the enclosure, the sealing device and enclosure shall maintain the distance indicated above.
2. This unit is furnished completely assembled. Check the luminaire label to ensure correct voltage and frequency.
3. Before installing, make sure that the circuit is deactivated.
4. Optional Mounting Bracket: Install the mount in place, secure to desired mounting surface using (4) 1/4in (M7) bolts or lag screws (not provided) or (2) 3/8in (M9) bolts or lag screws (not provided). Attach proper fitting or conduit to one of the three ¾ inch NPT hubs. A seal must be installed within 4 inches (100 mm) of the hub
5. Without Optional Mounting Bracket: Attach proper fitting or conduit to the top ¾ inch NPT hub and secure with set screw. A seal must be installed within 4 inches (100 mm) of the hub.
6. Make incoming power connection via one of the three ¾ inch NPT hubs.
7. Attach the power leads and grounding lead (16 AWG or 1.5 mm² minimum) to the terminal block inside the wiring compartment. Refer to correct wiring diagram in this data sheet.
8. Re-attach the wiring compartment cover into the luminaire and tighten the (12) screws to a 120 in-lbf torque value. Enclosure utilize size M7-10x25 mm Grade 8.8 fasteners.
9. Attach the external grounding lead (12 AWG or 4 mm² minimum) to the lug provided on the outside of the luminaire.
10. To make angle adjustments on the trunnion, loosen the pivot bolts and locking screws on the yoke and aim to desired angle.
11. Re-tighten the pivot bolts and secure the locking screws .

CONDITIONS OF USE AND MAINTENANCE DATA:

1. Although no routine maintenance is required to keep this luminaire functional, it should be checked periodically to ensure it is working properly, and to look for any external damage.
2. For optimum performance, keep the light transmission portion of the luminaire clean.
3. Visually check for undue heating evidenced by discoloration of wires and other components, damaged parts or leakage of water or corrosion in the interior.
4. Only joints that is to be opened by the user is the wiring compartment. Contact Rig-A-Lite for information on the flameproof joints. Enclosure utilize size M7-10x25 mm Grade 8.8 fasteners.
5. Replace all worn, damaged or malfunctioning components. Check that all mechanical components are properly assembled and secure. Make sure all electrical connections are safe and secure.
6. Clean and inspect all gaskets before putting the luminaire back in service.



8500 Hansen Rd.
Houston, TX 77075 USA
86305EXML

Tel: 713-943-0340

Oct 2022

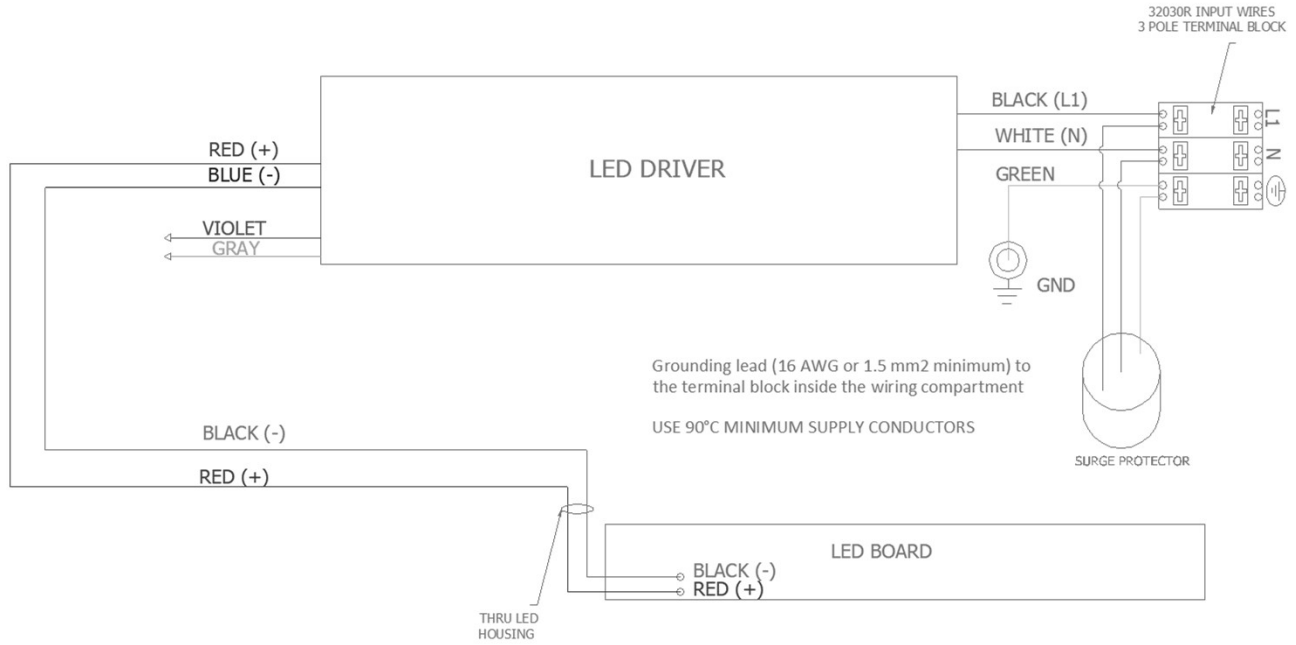
availinfra.com/rig-a-lite/

Rev. 5

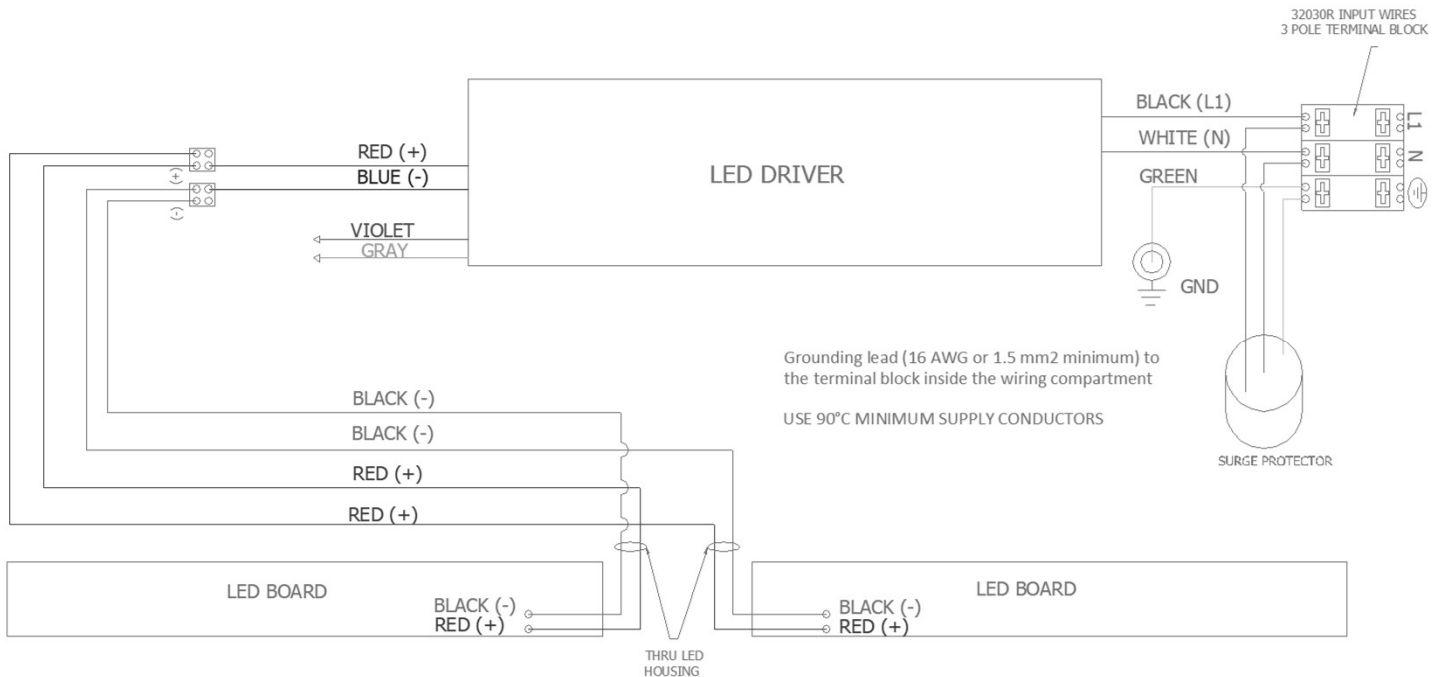
INSTALLATION DATA SHEET

WIRING DIAGRAMS

EXML 2FT MODELS



EXML 4FT MODELS



8500 Hansen Rd.
Houston, TX 77075 USA
86305EXML

Tel: 713-943-0340

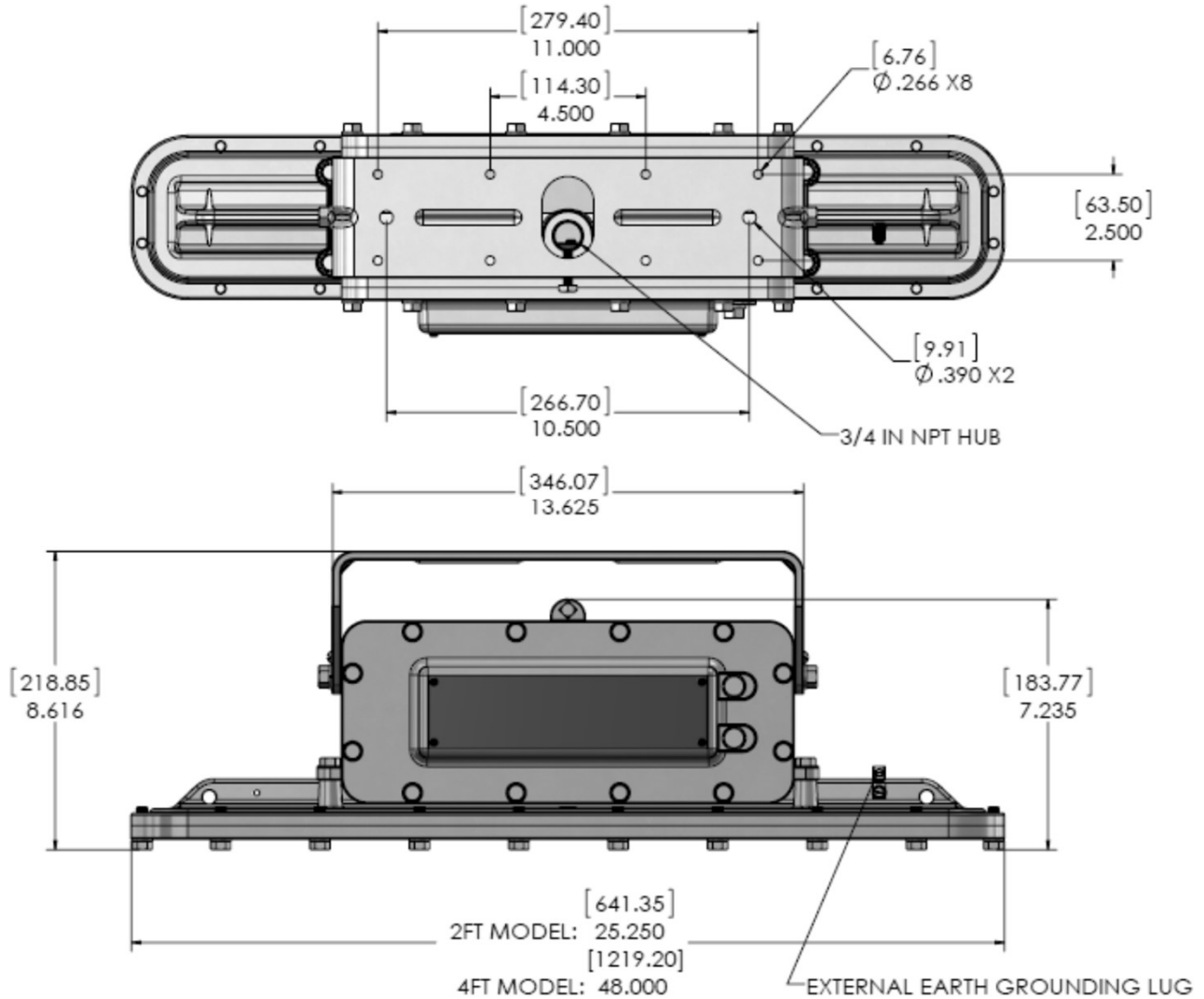
Oct 2022

availinfra.com/rig-a-lite/

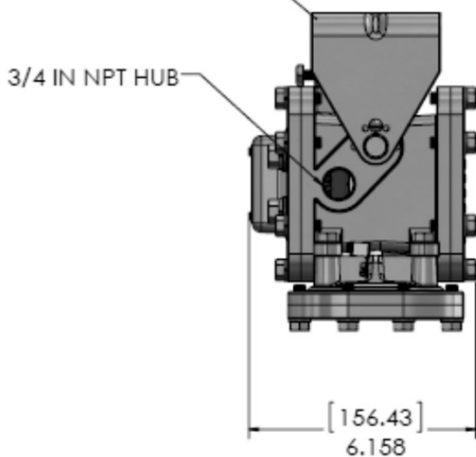
Rev. 5

INSTALLATION DATA SHEET

DIMENSIONAL DATA



OPTIONAL MOUNTING BRACKET



Technical Data

Housing Material: Copper Free Aluminum ($\leq 0.4\%$ Aluminum).
Housing Finish: Greyhound Grey Baked-on Epoxy Powder Coat
Dimensions: See Dimensional Diagrams
Protection Glass: Tempered Glass
Conduit entries: 3/4 in NPT
Weight: up to 16 Kg (35 lbs)

RIG-A-LITE™

8500 Hansen Rd.
Houston, TX 77075 USA
86305EXML

Tel: 713-943-0340

Oct 2022

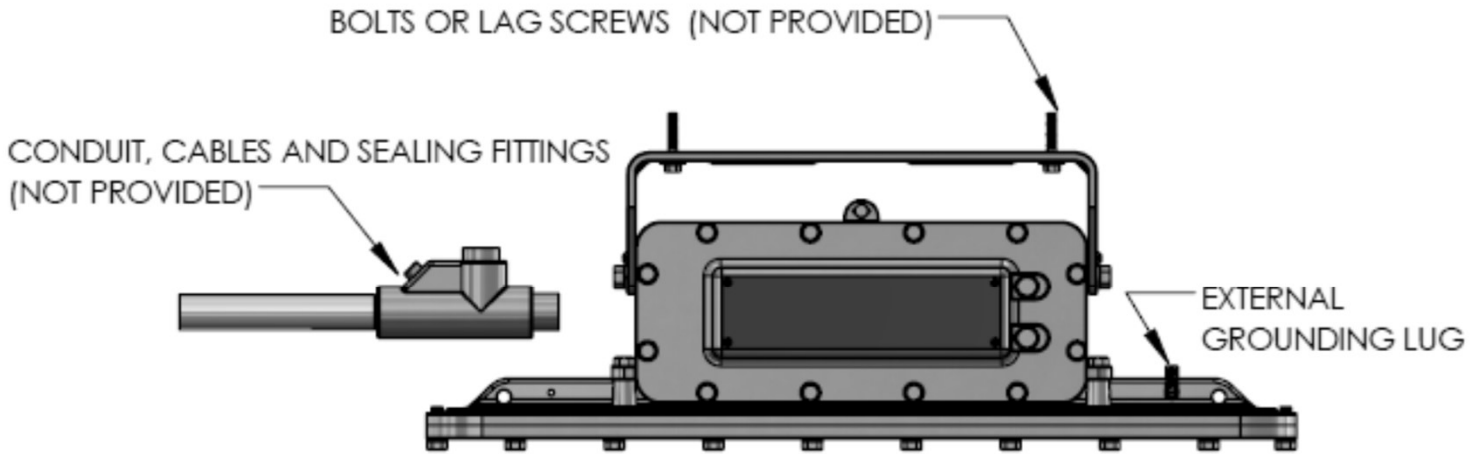
availinfra.com/rig-a-lite/

Rev. 5

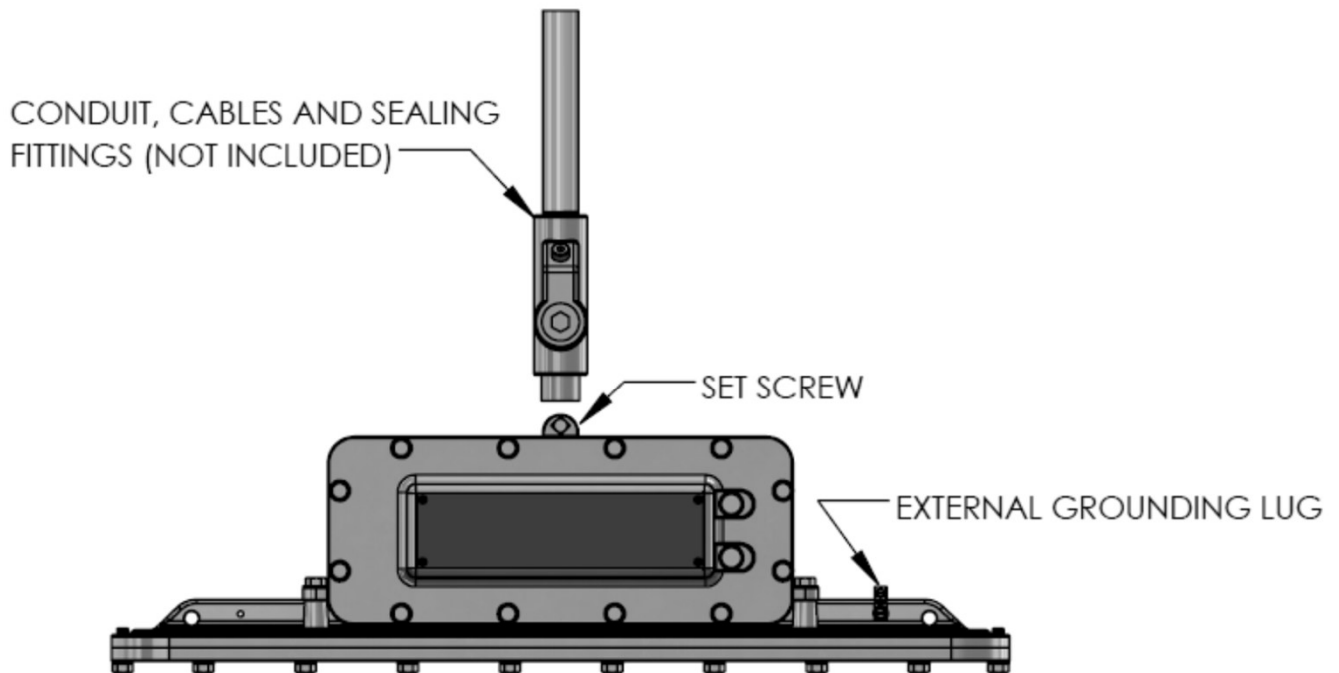
INSTALLATION DATA SHEET

TYPICAL INSTALLATION AND MOUNTING INSTRUCTIONS

FOR REFERENCE ONLY, ALL WORK SHOULD BE PERFORMED BY QUALIFIED TECHNICIANS.
FITTINGS & CABLES OR CONDUITS MUST BE OF SAME RATING AS THE LUMINAIRE.
(NOT PROVIDED)



TYPICAL CEILING MOUNT SHOWN WITH OPTIONAL MOUNTING BRACKET



TYPICAL PENDANT MOUNT SHOWN WITHOUT OPTIONAL MOUNTING BRACKET

