

INSTALLATION DATA SHEET

EXMHL SERIES

LED LUMINAIRE FOR USE IN HAZARDOUS LOCATIONS



II 3 G Ex nA nC IIC T4 Gc

II 3 D Ex tc IIIC T110°C Dc

-35°C ≤ Tamb ≤ +55°C, IP66

ITS16ATEX400961X

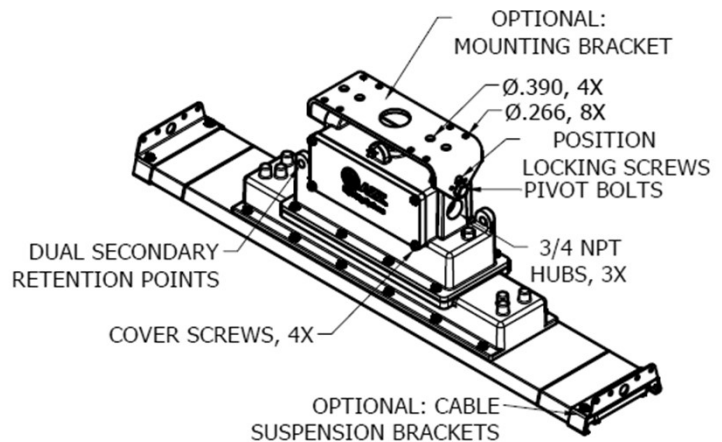
IECEX ETL 17.0014X

WARNING!

- To reduce risk of fire or explosion, do not install where the marked operating temperature code (T-code) exceeds the ignition temperature of the hazardous atmosphere(s).
- These luminaires should be installed by qualified technicians using suitable hazardous location wiring methods in strict accordance with the National Electrical Code and any local requirements.
- To prevent risk of electrical shock, deactivate/ disconnect power supply before opening. Keep tightly closed when in operation.
- DO NOT SEPARATE WHEN ENERGIZED.
- DO NOT OPEN WHEN ENERGIZED.
- **WARNING** – POTENTIAL ELECTROSTATIC CHARGING HAZARD. CLEAN WITH DAMP CLOTH. SOLVENT MUST NOT BE USED.

INSTALLATION & MOUNTING

1. Some of the typical installations are shown further back in this instruction sheet.
2. This luminaire is equipped with (3) 3/4 NPT hubs for incoming power cable and cord-grip (not provided). Plug all unused openings.
3. Secure the luminaire yoke to desired mounting surface using minimum (4) 1/4" or (2) 3/8" bolts or lag screws (not provided) or Pendant mount via the top hub and secure with set screw.
4. To make vertical adjustments, remove the 10-32 X 1/2" position locking screws from the yoke, loosen the pivot bolts on the yoke and aim to desired angle in 15° increments. Reinstall the positioning screws in the aligning holes and re-tighten the pivot bolts.
5. The unit may be fitted with beam clamps, however a secondary retention device is recommended. (See additional info at the back of this sheet).



8500 Hansen Rd.
Houston, TX 77075 USA
EXMHLIDS

Tel: 713-943-0340

availinfra.com/rig-a-lite/

Oct 2022

Rev. 3

INSTALLATION DATA SHEET

Wiring:

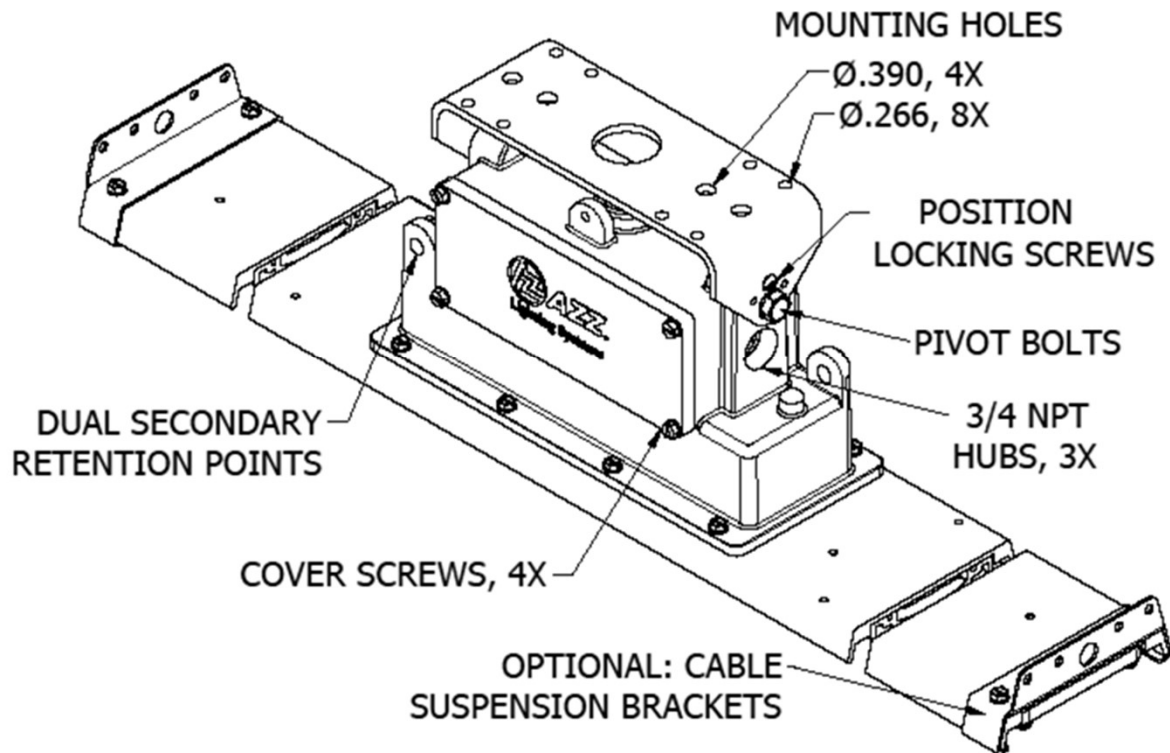
1. Before installing, make sure that the circuit is deactivated.
2. This unit is furnished completely assembled. Before installing, check the luminaire label to ensure correct voltage and frequency.
3. The LED driver in this luminaire is designed to operate on grounded neutral systems only.
4. Open the front cover by loosening the four (4) 10-32 x 1" captive screws.
5. Terminal Block for power leads are clearly marked. Connect the ground wire first. Then select the correct voltage leads as determined by the supply voltage to the luminaire and install the incoming black and white leads to the respective terminal block slot.
6. Re-install the front cover, making sure the gasket is seated in the groove and tighten the cover screws.
7. Close any un-used hubs with plugs provided.

OPERATIONAL DATA:

1. Operate this luminaire at its rated voltage. See the luminaire label for data.

MAINTENANCE DATA:

1. Although no routine maintenance is required to keep this luminaire functional, it should be checked periodically to ensure it is working properly, and to look for any external damage.
2. For optimum performance, keep the light transmission portion of the luminaire clean.
3. **WARNING** – Potential electrostatic charging hazard. Clean with damp cloth. Solvent must not be used.



8500 Hansen Rd.
Houston, TX 77075 USA
EXMHLIDS

Tel: 713-943-0340

Oct 2022

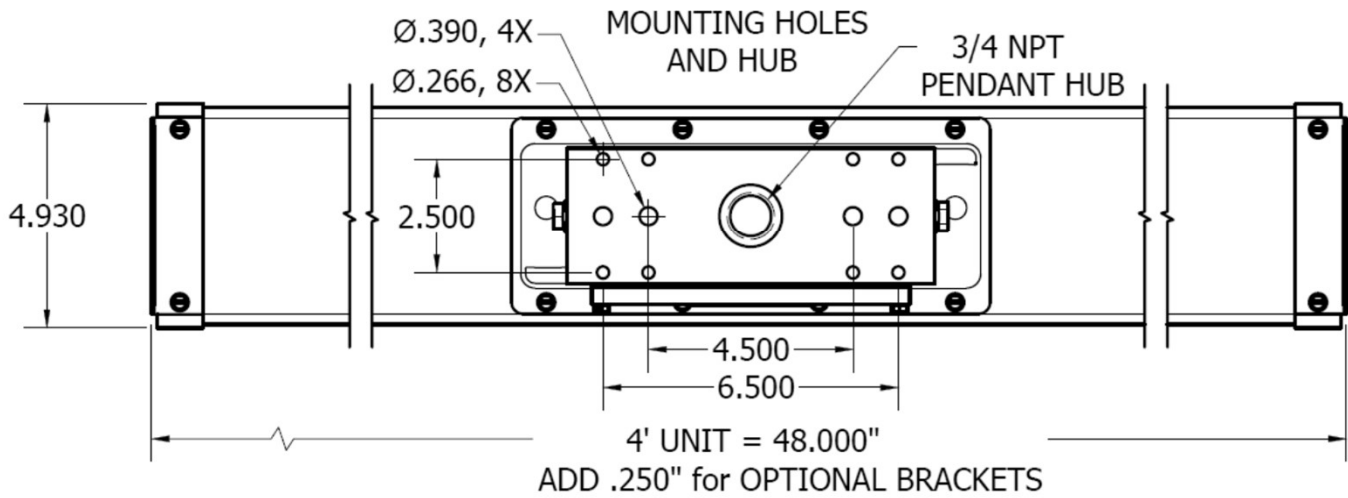
availinfra.com/rig-a-lite/

Rev. 3

INSTALLATION DATA SHEET

DIMENSIONAL DATA

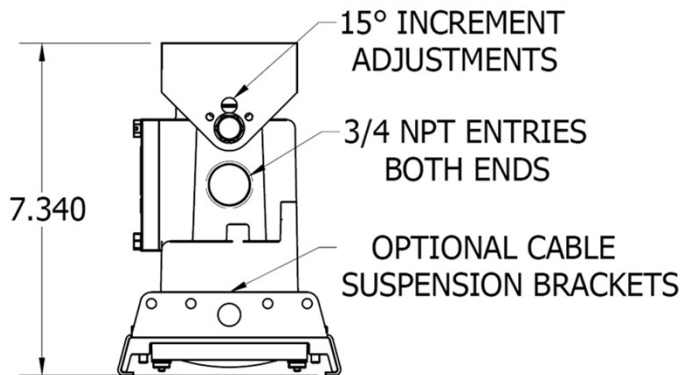
TOP VIEW



SIDE VIEW



END VIEW



8500 Hansen Rd.
Houston, TX 77075 USA
EXMHLIDS

Tel: 713-943-0340

Oct 2022

availinfra.com/rig-a-lite/

Rev. 3

INSTALLATION DATA SHEET

TYPICAL INSTALLATION AND MOUNTING INSTRUCTIONS

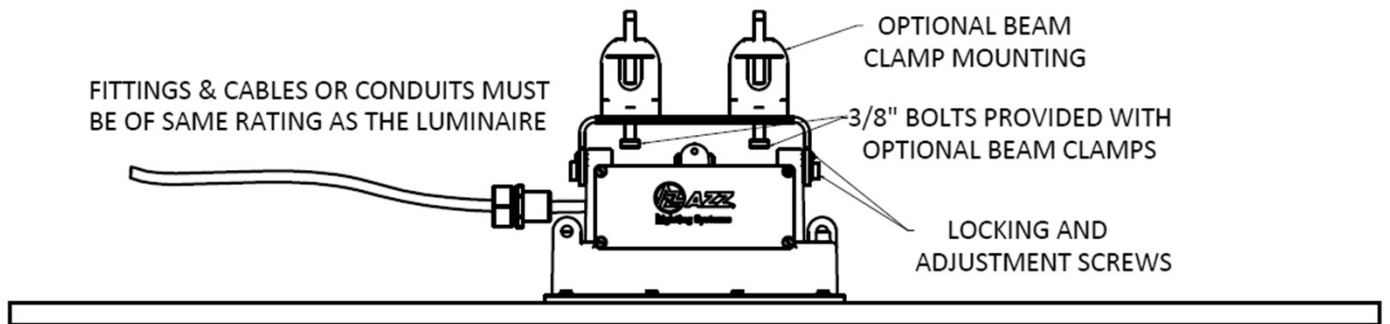
FOR REFERENCE ONLY, ALL WORK SHOULD BE PERFORMED BY QUALIFIED TECHNICIANS.
FITTINGS & CABLES OR CONDUITS MUST BE OF SAME RATING AS THE LUMINAIRE.
(NOT PROVIDED)

FITTINGS & CABLES OR CONDUITS MUST
BE OF SAME RATING AS THE LUMINAIRE



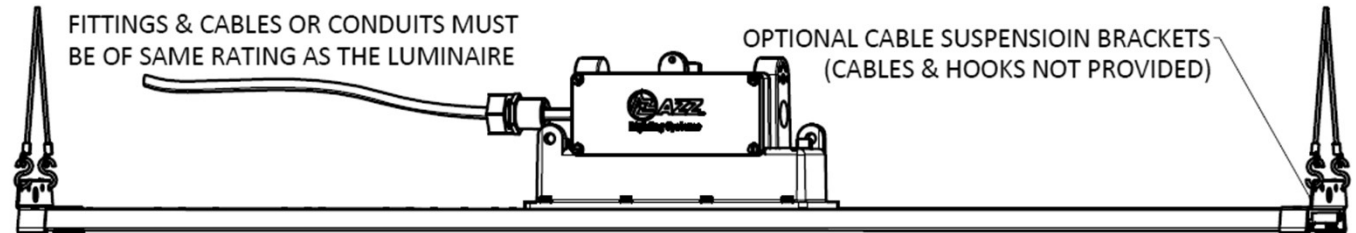
TYPICAL CEILING MOUNT

FITTINGS & CABLES OR CONDUITS MUST
BE OF SAME RATING AS THE LUMINAIRE



BEAM CLAMP MOUNTING
SECONDARY RETENTION IS HIGHLY RECOMMENDED

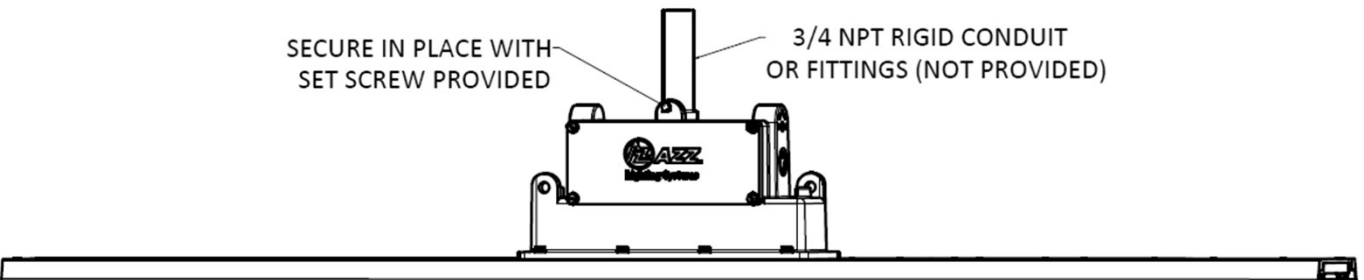
FITTINGS & CABLES OR CONDUITS MUST
BE OF SAME RATING AS THE LUMINAIRE



TYPICAL CABLE SUSPENSION MOUNTING

SECURE IN PLACE WITH
SET SCREW PROVIDED

3/4 NPT RIGID CONDUIT
OR FITTINGS (NOT PROVIDED)



TYPICAL PENDANT MOUNT



8500 Hansen Rd.
Houston, TX 77075 USA
EXMHLIDS

Tel: 713-943-0340

availinfra.com/rig-a-lite/

Oct 2022

Rev. 3

INSTALLATION DATA SHEET

Technical Data

Rated Input Voltage: 120-277VAC 50/60Hz, 347/480 60Hz
Operating Temperature -35°C to +55°C
Dimensions: See Dimensional Diagrams
Protection Lens: Polycarbonate
Weight: up to 8.2 kg (18 lbs)
Input Watts: 80W
Input Volts & Hz: See product label

Rated Input Power: 80W max
Housing Material: Aluminum
Storage Temp. -40°C to 85°
Cable entries: Three, ¾ in NPT
Light Source(s): LED
Input Amps: See product label
Power Factor: >90%

Conformity with Standards

This luminaire conforms to the standards specified in the Declaration of Conformity.

It has been designed, manufactured and tested in accordance with BS EN 9001.

IEC 60529:2013, 2nd Edition: Degrees of Protection Provided by Enclosures-IP Code

2004/108/EC:EC Directive for electromagnetic compatibility.

ATEX Directive 2014/34/EU

EN 60079-15:2010, 3rd Edition, Part 15

IEC 60079-0:2011, 6th Edition

IEC 60079-31:2013, 2nd Edition

EN 60079:2012, 6th Edition, Part 0

EN 60079-31:2014, 2nd Edition, Part 31

IEC 60079-15:2010, 4th Edition

Equipment Application

This luminaire is intended for use in a hazardous atmosphere in Zones 2 and 22 to the requirements of IECEx certification Scheme and ATEX Directive 2014/34/EU. The product can be used inside or outside to illuminate areas with potentially hazardous atmosphere.

Specific Conditions of Safe Use

- The input cord and leads must be adequately protected from damage using an appropriately ATEX and IECEx certified cable entry device or conduit providing IP66 or better, as required by the installation conditions, and be rated for the ambient temperature range $-35^{\circ}\text{C} < T_a < +55^{\circ}\text{C}$. The input leads shall be terminated within the LED luminaire power compartment enclosure in accordance with the manufacturer's instructions and national installation regulations (i.e. EN/IEC 60079-14 and EN/IEC 60079-17).
- Earthing is to be made by use of either armoured cable or conduit (see Instruction Manual).
- Potential Electrostatic Charging Hazard – Use a damp cloth for maintenance and cleaning purposes on the equipment. Refer to the Installation Manual for more information.

Repairs / Overhaul / Modification

The relevant national regulations which apply to the maintenance / servicing of electrical apparatus in hazardous atmospheres shall be observed. Should the Luminaire enclosure be damaged, only a replacement will be permitted. The luminaire should be returned to AZZ Lighting Systems / Rig-A-Lite for inspection/repair. Modifications to the device or changes of its design are prohibited. The equipment must be operated according to the intended purpose in a perfect and undamaged condition.

