

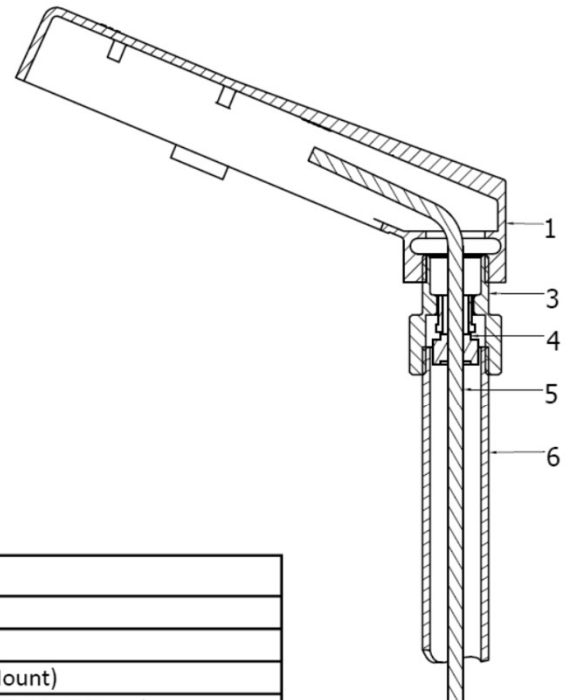
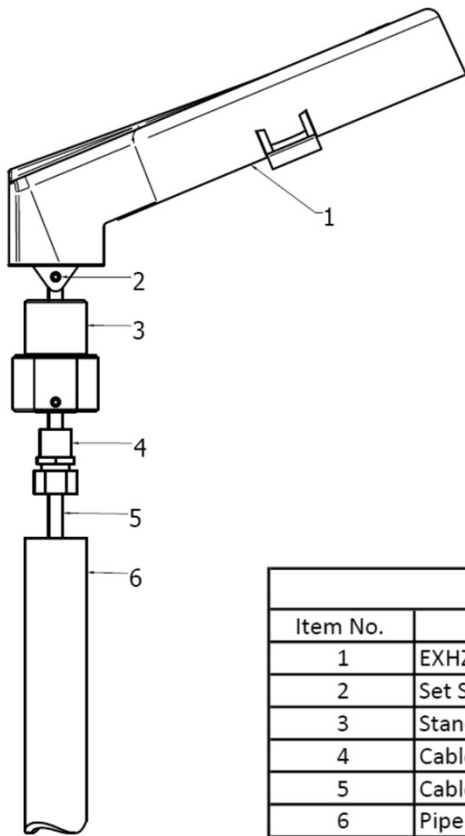
INSTALLATION DATA SHEET

EXHZALJ SERIES

CABLE ADAPTER FOR STANCHION MOUNT INSTRUCTIONS

WARNING!

To reduce risk of fire, shock or explosion, these luminaires should be installed by qualified technicians using specific suitable hazardous location wiring methods in strict accordance with all applicable codes and wiring methods.



Cut Away
Assembled View

Component List	
Item No.	Description
1	EXHZALJ Stanchion Mount
2	Set Screw (Provided with Stanchion Mount)
3	Stanchion Cable Gland Adapter (Provided by Others)
4	Cable Gland (Provided by Others)
5	Cable (Provided by Others)
6	Pipe (Provided by Others)

Screw proper size cable gland* (#4) into the Stanchion Cable Gland Adapter (#3) and seal cable as per the gland manufacturers instructions (provided by others). Screw the assembly into the Stanchion Mount (#1) and tighten set screw. This assembly is now ready to be installed on the proper size pipe (provided by others).

*Must use IECEx 'Zone 2' and 'tb' certified cable glands with minimum IP66 rating, suitable for the same ambient temperature range as the luminaire.



8500 Hansen Rd.
Houston, TX 77075 USA
EXHZALJSTANCHIONINST

Tel: 713-943-0340

Oct 2022

availinfra.com/rig-a-lite/

Rev. 1