

INSTALLATION DATA SHEET

EXHZALJ SERIES

LED LUMINAIRE FOR USE IN HAZARDOUS LOCATIONS

See Product Label for Protection Marking



II 3 G Ex ec IIC T□ Gc
-40°C ≤ Tamb ≤ □°C, IP66

II 3 D Ex tb IIIC T135°C Db
□°C ≤ Tamb ≤ □°C, IP66

II 3 G Ex ec nC IIC T□ Gc
-40°C ≤ Tamb ≤ □°C, IP66

II 3 D Ex tb IIIC T135°C Db
□°C ≤ Tamb ≤ □°C, IP66

Class I, Zone 2
AEx ec nC IIC T□ Gc
Class II, Zone 21
AEx tb IIIC T135C Db

ATEX: UL 20 ATEX 2434X

UL20 ATEX 2435X

IECEX: IECEX UL 20.0110X

*Refer to "Technical Data" (page 3) for minimum and maximum ambient ratings, Zone 2/Zone 21 Temperature Codes

WARNING!

- To reduce risk of fire or explosion, do not install where the marked operating temperature exceeds the ignition temperature of the hazardous atmosphere(s).
- These luminaires should be installed by qualified technicians using suitable hazardous location wiring methods in strict accordance with the National Electrical Code, NFPA 70 and any local requirements.
- To prevent risk of electrical shock, deactivate/ disconnect power supply before opening. Keep tightly closed when in operation.
- DO NOT OPEN WHEN ENERGIZED.
- DO NOT OPEN WHEN AN EXPLOSIVE GAS ATMOSPHERE IS PRESENT
- POTENTIAL ELECTROSTATIC CHARGING HAZARD – SEE MAINTENANCE DATA
- Install the luminaire in a location that minimizes the risk of impact

AVERTISSEMENT!

- Pour réduire les risques d'incendie ou d'explosion, n'installez pas lorsque la température de fonctionnement indiquée dépasse la température d'inflammation de la ou des atmosphères dangereuses.
- Ces luminaires devraient être installés par des techniciens qualifiés utilisant des méthodes de câblage de localisation dangereuses appropriées en stricte conformité avec le Code national de l'électricité, la NFPA 70 et toute exigence locale.
- Pour prévenir les risques de choc électrique, désactivez/ débranchez l'alimentation avant de vous ouvrir. Gardez bien fermé lorsque vous êtes en fonctionnement.
- NE PAS OUVRIR LORSQUE VOUS ÊTES SOUS TENSION.
- NE PAS OUVRIR LORSQU'UNE ATMOSPHÈRE DE GAZ EXPLOSIF EST PRÉSENTE
- RISQUE POTENTIEL DE CHARGE ÉLECTROSTATIQUE – VOIR LES DONNÉES DE MAINTENANCE
- Installez le luminaire dans un endroit qui minimise le risque d'impact

EQUIPMENT APPLICATION

This luminaire is intended for use in a hazardous atmosphere in Zone 2 and 21 to the requirements of ATEX Directive 2014/34/EU. The product can be used inside or outside to illuminate areas with potentially hazardous atmosphere.



8500 Hansen Rd.
Houston, TX 77075 USA
EXHZALJINST

Tel: 713-943-0340

Oct 2022

availinfra.com/rig-a-lite/

Rev. 4

INSTALLATION DATA SHEET

CONFORMITY WITH STANDARDS

This luminaire conforms to the standards specified in the Declaration of Conformity. It has been designed, manufactured and tested in accordance with BS EN 9001. 94/9 EC: Equipment and protective systems intended for use in potentially explosive atmospheres.

IEC 60079-0:2017 - Explosive Atmospheres, General Requirements

IEC 60079-7:2015 + AMD1:2017 - Equipment Protection by Increased Safety "e"

IEC 60079-15:2017 - Equipment Protection by Type Of Protection "n"

IEC 60079-31:2013 - Equipment dust ignition protection by enclosure "t"

EN 60079-0:2018 - Explosive atmospheres - Part 0: Equipment - General requirements

EN 60079-7:2015 + A1:2018 - Equipment protection by increased safety "e"

EN 60079-15:2019 - Explosive atmospheres. Equipment protection by type of protection "n"

EN 60079-31:2014 - Equipment dust ignition protection by enclosure "t"

EN 60529:1991 + A12000 + A2:2013-Degrees of Protection Provided by Enclosures (IP Code)

CSA C22.2 No. 60079-0, Electrical Apparatus for Explosive Gas Atmospheres – Part 0: General Requirements, Edition 4, Issue date 02/2019

UL 60079-0, Explosive Atmospheres – Part 0: Equipment – General Requirements , Edition 7, Revision Date 04/15/2020

CSA C22.2 No. 60079-7, Explosive Atmospheres – Part 7: Equipment Protection by Increased Safety "e", Edition 2, Issue Date 10/2016

UL 60079-7, STANDARD FOR EXPLOSIVE ATMOSPHERES – PART 7: EQUIPMENT PROTECTION BY INCREASED SAFETY "E", Edition 5, Revision Date 04/21/2017

CSA C22.2 NO. 60079-31, Explosive Atmospheres – Part 31: Equipment Dust Ignition Protection by Enclosure "t", Edition 2, Issue Date 10/2015

UL 60079-31, Explosive Atmospheres – Part 31: Equipment Dust Ignition Protection by Enclosure "t", Edition 2, Revision Date 08/13/2020

ANSI/ISA 60079-31-2015 (R2020), Explosive Atmospheres – Part 31: Equipment Dust Ignition Protection by Enclosure "t", Edition 2, Revision Date 08/13/2020

CSA C22.2 No. 60079-15, Electrical Apparatus for Explosive Gas Atmospheres - Part 15: Construction, Test and Marking of Type of Protection "n" Electrical Apparatus, Edition 3, Issue Date 11/2018

UL 60079-15, Explosive atmospheres - Part 15: Equipment protection by type of protection "n", Edition 5, Issue Date 04/07/2020



8500 Hansen Rd.
Houston, TX 77075 USA
EXHZALJINST

Tel: 713-943-0340

Oct 2022

availinfra.com/rig-a-lite/

Rev. 4

INSTALLATION DATA SHEET

TECHNICAL DATA

Individual Model Ratings [EUD Series Drivers f/ec Protection]								
Model	Voltage (vac) Frequency (Hz)	Lens	Optics	Current Max (A)	Wattage (W)	Zone 2 T-Codes	Zone 21 T-Codes	Ambient Range °C
EXHZALJ06LUxxx	120-277Vac 50/60Hz	CG	Blank, 1, 3 or 5	0.42	42	T4	T135 °C	-40 - +70
EXHZALJ08LUxxx	120-277Vac 50/60Hz	CG	Blank, 1, 3 or 5	0.59	59	T4	T135 °C	-40 - +70
EXHZALJ10LUxxx	120-277Vac 50/60Hz	CG	Blank, 1, 3 or 5	0.72	72	T4	T135 °C	-40 - +70
EXHZALJ11LUxxx	120-277Vac 50/60Hz	CG	Blank, 1, 3 or 5	0.87	87	T4	T135 °C	-40 - +65
EXHZALJ13LUxxx	120-277Vac 50/60Hz	CG	Blank, 1, 3 or 5	1	100	T4	T135 °C	-40 - +65
EXHZALJAM4LUxxx	120-277Vac 50/60Hz	CG	Blank, 1, 3 or 5	0.6	60	T3	T135 °C	-40 - +65
EXHZALJAM5LUxxx	120-277Vac 50/60Hz	CG	Blank, 1, 3 or 5	0.95	95	T3	T135 °C	-40 - +65

Individual Model Ratings EUM Series Drivers f/ ec nC Protection								
Model	Voltage (vac) Frequency (Hz)	Lens	Optics	Current Max (A)	Wattage (W)	Zone 2 T-Codes	Zone 21 T-Codes	Ambient Range °C
EXHZALJ04LUxxx	120-277Vac 50/60Hz	CG	Blank, 1, 3, or 5	0.29	29	T4	T135 °C	-40 - +70
EXHZALJ06LUxxx	120-277Vac 50/60Hz	CG	Blank, 1, 3, or 5	0.42	42	T4	T135 °C	-40 - +70
EXHZALJ08LUxxx	120-277Vac 50/60Hz	CG	Blank, 1, 3, or 5	0.59	59	T4	T135 °C	-40 - +70
EXHZALJ10LUxxx	120-277Vac 50/60Hz	CG	Blank, 1, 3, or 5	0.72	72	T4	T135 °C	-40 - +70
EXHZALJ11LUxxx	120-277Vac 50/60Hz	CG	Blank, 1, 3, or 5	0.87	87	T4	T135 °C	-40 - +65
EXHZALJ13LUxxx	120-277Vac 50/60Hz	CG	Blank, 1, 3, or 5	1	100	T4	T135 °C	-40 - +65
EXHZALJAM4LUxxx	120-277Vac 50/60Hz	CG	Blank, 1, 3, or 5	0.6	60	T3	T135 °C	-40 - +65



8500 Hansen Rd.
Houston, TX 77075 USA
EXHZALJINST

Tel: 713-943-0340

Oct 2022

availinfra.com/rig-a-lite/

Rev. 4

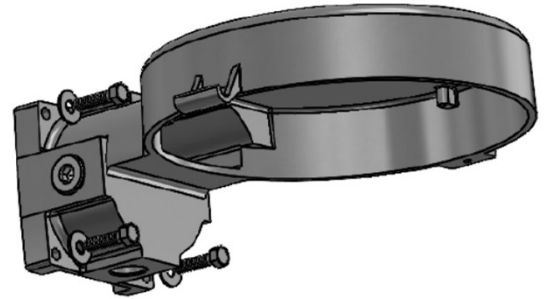
INSTALLATION DATA SHEET

INSTALLATION:

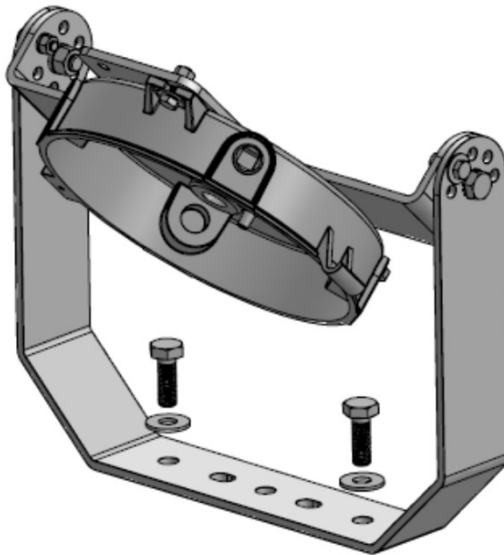
1. These luminaires are equipped with $\frac{3}{4}$ in or 1 in NPT hubs (Ceiling, Pendant, Wall or Trunnion) or 1.25 in or 1.5 in hubs (Stanchion mounts) for incoming power leads.
2. Secure the luminaire top mount to desired mounting surface using proper techniques for the selected mount.



Ceiling Mount



Wall Mount



Trunnion Mount

For ceiling or wall mount only



Stanchion Mount
(25° and 90°)



Pendant Mount



8500 Hansen Rd.
Houston, TX 77075 USA
EXHZALJINST

Tel: 713-943-0340

Oct 2022

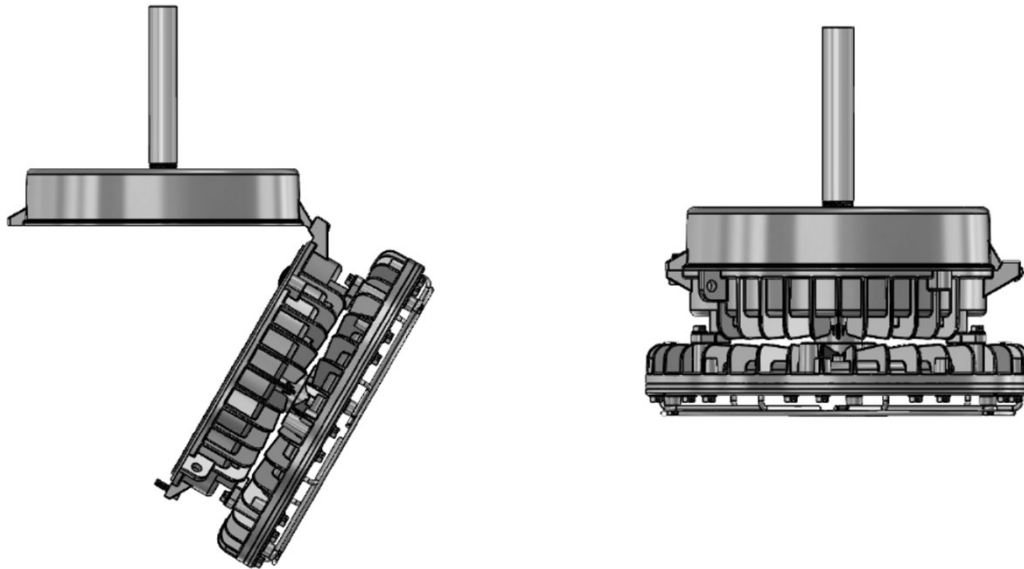
availinfra.com/rig-a-lite/

Rev. 4

INSTALLATION DATA SHEET

Wiring: “Warning” Potential Shock Hazard

1. Before installing, make sure that the circuit is deactivated.
2. This unit is furnished completely assembled. Before installing, check the luminaire label to ensure correct voltage and frequency.
3. The LED driver in this luminaire is designed to operate in grounded neutral systems only.
4. Place the new EXHZALJ housing into the mounting cover by lining up the hinge.
5. Must use listed fittings rated for the hazardous area and the environmental ratings intended, and having the same hazardous area and environmental ratings as marked on the luminaire. Any fittings used is to be suitable for “ATEX/IECEx ‘Zone 2’ and ‘tb’ certified with IP66 rating.
6. The push in “cage clamp” style 3 pole terminal block is clearly marked for copper only power leads. Strip each wire 9-11mm. Connect the ground wire first into the opening marked \oplus “ground symbol”. Then select the correct voltage lead as determined by the supply voltage to the luminaire and install the incoming power lead into the opening marked “L1” and neutral lead into the opening marked “N”. Depress the tab adjacent to each marked opening, insert wire and release the tab. Check each wire by gently tugging to ensure proper connection grip. Maximum 4mm² (12 AWG) conductors, 4 per pole. Visually inspect for no un-insulated exposed copper.
7. For luminaires using dimming circuit: The dimming wiring must have insulation rated for the maximum voltage that exists in the luminaire. Separate entries must be used for field installed branch circuit and dimming wiring circuits.
8. Swing the housing closed and re-tighten the housing screw. Plug any unused openings with ATEX/IECEx ‘Zone 2’ and ‘tb’ certified plugs with IP66 rating. Plugs must engage at least three full threads.
9. Physically inspect the outside of the luminaire.
10. Turn the power on.



OPERATIONAL DATA:

1. Operate this luminaire at its rated voltage. See the luminaire label for data.



8500 Hansen Rd.
Houston, TX 77075 USA
EXHZALJINST

Tel: 713-943-0340

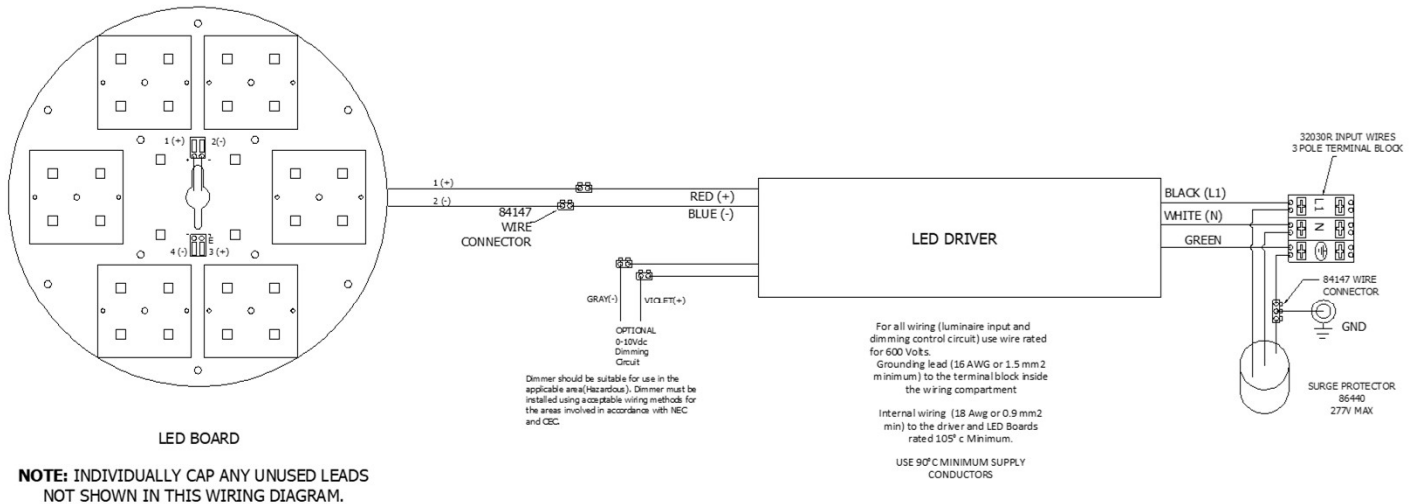
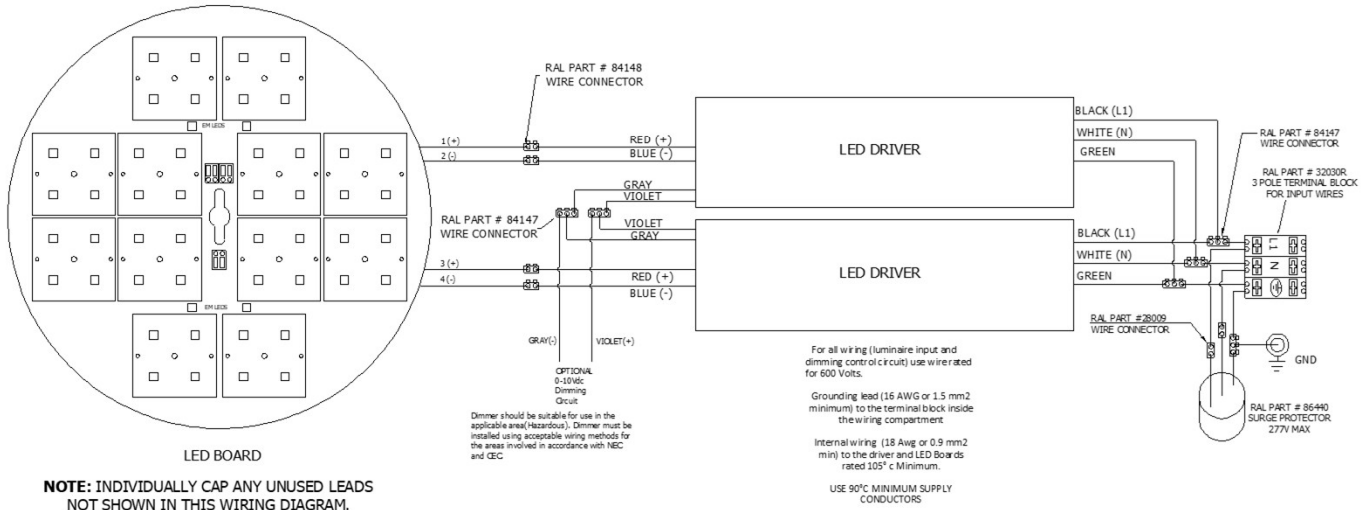
Oct 2022

availinfra.com/rig-a-lite/

Rev. 4

INSTALLATION DATA SHEET

WIRING DIAGRAMS



RIG-A-LITE™

8500 Hansen Rd.
Houston, TX 77075 USA
EXHZALJNST

Tel: 713-943-0340

Oct 2022

availinfra.com/rig-a-lite/

Rev. 4

INSTALLATION DATA SHEET

MAINTENANCE DATA

1. Although no routine maintenance is required to keep this luminaire functional, it should be checked periodically to ensure it is working properly, and to look for any external damage
2. For optimum performance, keep the light transmission portion of the luminaire clean.
3. To reduce the risk of ignition due to electrostatic discharge, avoid contact with the luminaire while an explosive atmosphere is present.
4. To clean, wipe the lens with a clean, soft, damp cloth. A mild soap may be used as needed. Do not use strong abrasive cleaners.
5. Visually check for undue heating evidenced by discoloration of wires and other components, damaged parts or leakage of water or corrosion in the interior.
5. Replace all worn, damaged or malfunctioning components.
6. Check that all mechanical components are properly assembled and secure.
7. Make sure all electrical connections are safe and secure.
8. Clean and inspect all gaskets before putting the luminaire back in service.
9. If this product is used in a combustible dust area, clean the outside on a regular basis to prevent excessive accumulation of dust.
10. An optional stainless steel wire guard can be installed on the luminaire to protect the lens. Refer to Rig-A-Lite's website or contact your nearest Rig-A-Lite distributor for information.
11. The only joint to be opened by the user is the wiring compartment cover.

REPAIRS / OVERHAUL / MODIFICATIONS:

The relevant national regulations which apply to the maintenance / servicing of electrical apparatus in hazardous atmospheres shall be observed. Only joints that is to be opened by the user is the driver housing and mount. Should the luminaire enclosure be damaged, only a replacement will be permitted. The luminaire should be returned to Rig-A-Lite for inspection/repair. Modifications to the device or changes of it's design are prohibited. The equipment must be operated according to the intended purpose in a perfect and undamaged condition.

Specific Conditions of Use

- Only joint to be opened by the user is the wiring compartment cover.
- Install the luminaire in a location that minimizes the risk of impact.
- To reduce the risk of ignition due to electrostatic discharge, avoid contact with the luminaire while an explosive atmosphere is present. Clean only with a damp cloth. A mild soap may be used. Do not use strong abrasive cleaners.
- Must use ATEX/IECEx 'Zone 2' and 'tb' certified plugs with IP66 Rating for any unused openings.

TECHNICAL DATA *

Housing Material: Die Cast Aluminum

Storage Temp. -40°C to 85°C

* See the luminaire label for data.

Dimensions: See Dimensional Diagrams

Protection Glass: Clear

Conduit entries: up to (5) ¾ in or 1 in NPT hubs,
or (1) 1.25 in or 1.5 in NPT

Weight: up to 20 lbs (9 kgs).



8500 Hansen Rd.
Houston, TX 77075 USA
EXHZALJINST

Tel: 713-943-0340

Oct 2022

availinfra.com/rig-a-lite/

Rev. 4