

INSTALLATION DATA SHEET

XML SERIES

EMERGENCY LED LUMINAIRE FOR USE IN HAZARDOUS LOCATIONS

Class I, Division 1, Groups C & D, Class II Groups E,F & G, Class III

Paint Spray Area Rated, Marine Outside Type (Saltwater)

Emergency Lighting Equipment

Appareil d'éclairage de secours

IMPORTANT SAFEGUARDS: ALL INSTALLATION, MAINTENANCE, AND OR SERVICING SHOULD BE DONE BY QUALIFIED PERSONNEL ONLY.

READ AND FOLLOW ALL SAFETY INSTRUCTIONS

1. Do not let power supply cords touch hot surfaces.
2. Do not mount near gas or electric heaters.
3. Caution: Sealed unit. Battery not replaceable.
4. Equipment should be mounted in locations and at heights where it will not readily be subjected to tampering by unauthorized personnel.
5. The use of accessory equipment not recommended by the manufacturer may cause unsafe conditions.
6. Do not use this equipment for other than intended use.

SAVE THESE INSTRUCTIONS



8500 Hansen Rd.
Houston, TX 77075 USA
XMLEMIDS

Tel: 713-943-0340

Oct 2022

availinfra.com/rig-a-lite/

Rev. 3

INSTALLATION DATA SHEET

XML SERIES

EMERGENCY LED LUMINAIRE FOR USE IN HAZARDOUS LOCATIONS

Class I, Division 1, Groups C & D, Class II Groups E, F & G, Class III

Paint Spray Area Rated, Marine Outside Type (Saltwater)

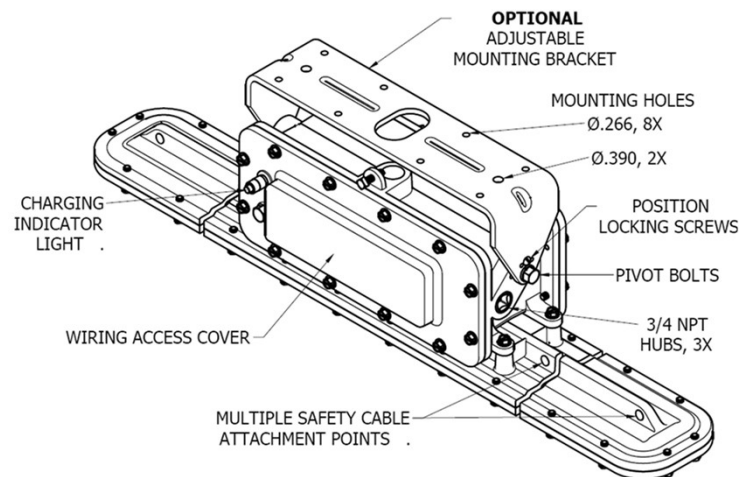
Emergency Lighting Equipment (Appareil d'éclairage de secours)

WARNING!

- To reduce risk of fire or explosion, do not install where the marked operating temperature exceeds the ignition temperature of the hazardous atmosphere(s).
- These luminaires should be installed by qualified technicians using suitable hazardous location wiring methods in strict accordance with the National Electrical Code, NFPA 70 and any local requirements.
- To prevent risk of electrical shock, deactivate/ disconnect power supply before opening. Keep tightly closed when in operation.
- **WARNING** – To prevent ignition of Group C & D atmospheres, conduit runs must have a sealing fitting connected within 4 inches of the luminaire.

INSTALLATION: Mounting:

1. The luminaire should be installed per USCG-46CFR, subchapter J, parts 100-113 for all marine applications.
2. Some of the typical installations are shown on the back of the instruction sheet.
3. This luminaire is equipped with (3) 3/4 NPT hubs for incoming supply connections. Plug unused openings with plugs provided.
4. If using the optional mounting bracket, secure to desired mounting surface using (4) 1/4" or (2) 3/8" bolts or lag screws (not provided), OR pendant mount via the top 3/4NPT hub, secure with set screw.
5. To make vertical adjustments, remove the 10-32 x 1/2" position locking screws from the yoke, loosen the pivot bolts on the yoke and aim to desired angle in 15° increments. Reinstall the positioning screws in aligning holes and re-tighten the pivot bolts.



8500 Hansen Rd.
Houston, TX 77075 USA
XMLEMIDS

Tel: 713-943-0340

Oct 2022

availinfra.com/rig-a-lite/

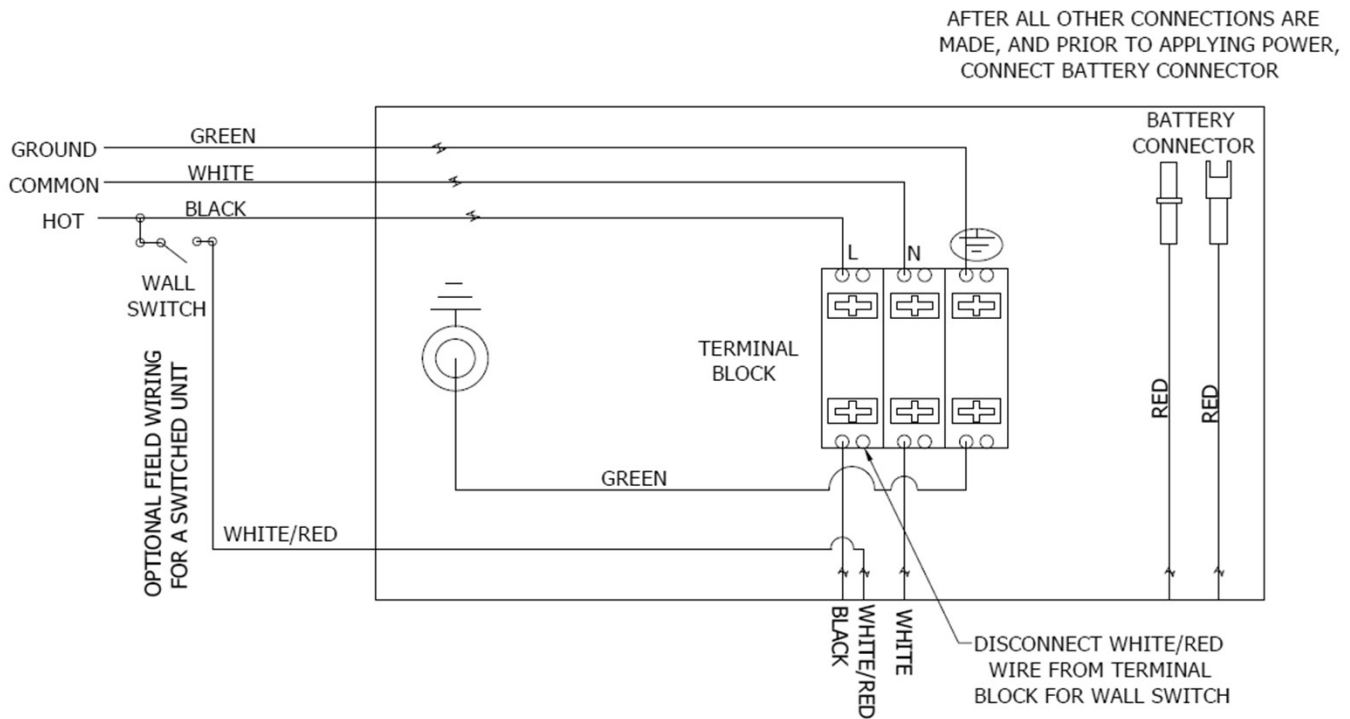
Rev. 3

INSTALLATION DATA SHEET

Wiring:

Note: Before installing this luminaire, make sure that the necessary branch circuit wiring is available. The Emergency driver in this luminaire requires an unswitched source of power and must be fed from the same branch circuit as the AC driver; therefore, in switched luminaires the Emergency Driver must be connected ahead of any local switching

1. Before installing, make sure that the circuit is deactivated.
2. This unit is furnished completely assembled. Before installing, check the luminaire label to ensure correct voltage and frequency. Operate this luminaire at its rated voltage. See the luminaire label for data.
3. The LED driver in this luminaire is designed to operate on grounded neutral systems only.
4. Open the front cover by loosening the 12 cover screws.
5. Terminal Block for power leads are clearly marked. Connect the ground wire first. Then select the correct voltage leads as determined by the supply voltage to the luminaire and install the incoming black and white leads to the respective terminal block slot. The unit is factory wired for continuous incoming power. **If it is desired to switch the unit from a wall switch, remove the WHITE/RED wire from the terminal block and hook the incoming switched power lead to it.** The black wire must still have continuous incoming power.
6. After all connections are made, and prior to applying power, connect the battery connector together. This will allow the battery to discharge during a loss of supply power. The fixture will be in the emergency mode until power is applied.
7. Re-install the front cover, making sure the gasket is seated in the groove and tighten the cover screws.
8. Close any un-used hubs with plugs provided.
9. Energize unit. A minimum 24 hour charge time is required to operate as emergency lighting equipment.



8500 Hansen Rd.
Houston, TX 77075 USA
XMLEMIDS

Tel: 713-943-0340

Oct 2022

availinfra.com/rig-a-lite/

Rev. 3

INSTALLATION DATA SHEET

REMOTE TEST SWITCH PROVISIONS FOR EMERGENCY BATTERY TEST

This luminaire has provision to install a remote mounted test switch for the battery. The switch shall comply with the following:

1. Switch shall be certified for the area where it is to be installed (ordinary or hazardous locations).
2. Switch shall be installed using acceptable wiring methods for the areas involved in accordance with the NEC.
3. Switch shall be connected to the emergency luminaire circuit such that when depressed it provides a transfer function and disconnects and isolates the normal input from the emergency input.
4. Switch shall be identified as to its function (i.e. – marked “Emergency Luminaire Test switch”).
5. Switch shall have electrical ratings suitable for the emergency luminaires.
6. Switch shall be manually operated type.
7. Switch shall be of :
 - a. Momentary-contact type, or
 - b. Maintained-break type that opens all ungrounded conductors and be accessible only to authorized persons.

MAINTENANCE DATA:

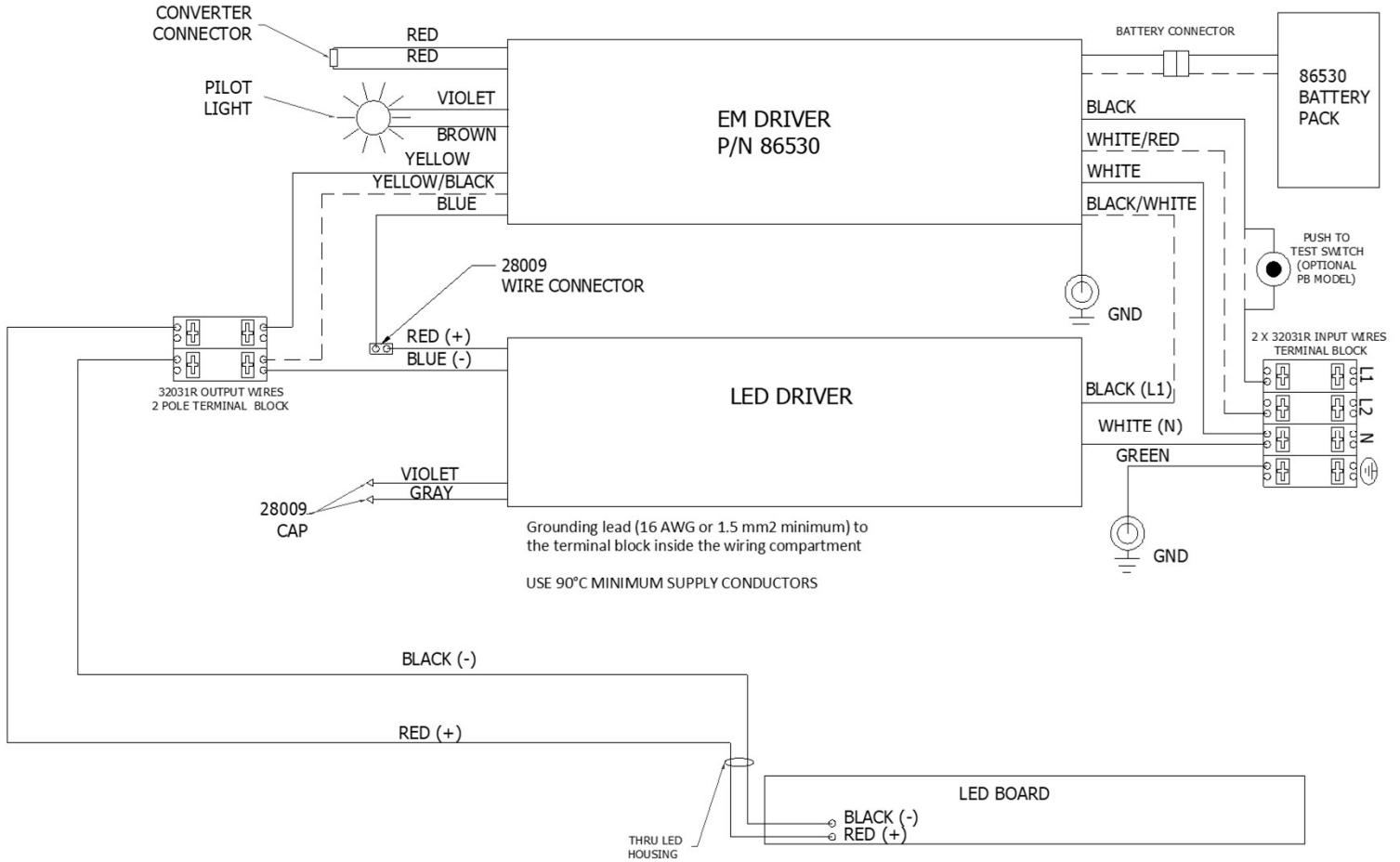
1. Although no routine maintenance is required to keep this luminaire functional, it should be checked periodically to ensure it is working properly, and to look for any external damage.
2. To test the unit for emergency lighting function, turn the service power to the unit off. The unit will operate in the emergency lighting mode for a minimum of 90 minutes. This test should be conducted annually.
3. After testing, be sure to reapply power to the unit.
4. For optimum performance, keep the light transmission portion of the luminaire clean.



INSTALLATION DATA SHEET

WIRING DIAGRAMS

XML 2FT MODELS



8500 Hansen Rd.
Houston, TX 77075 USA
XMLEMIDS

Tel: 713-943-0340

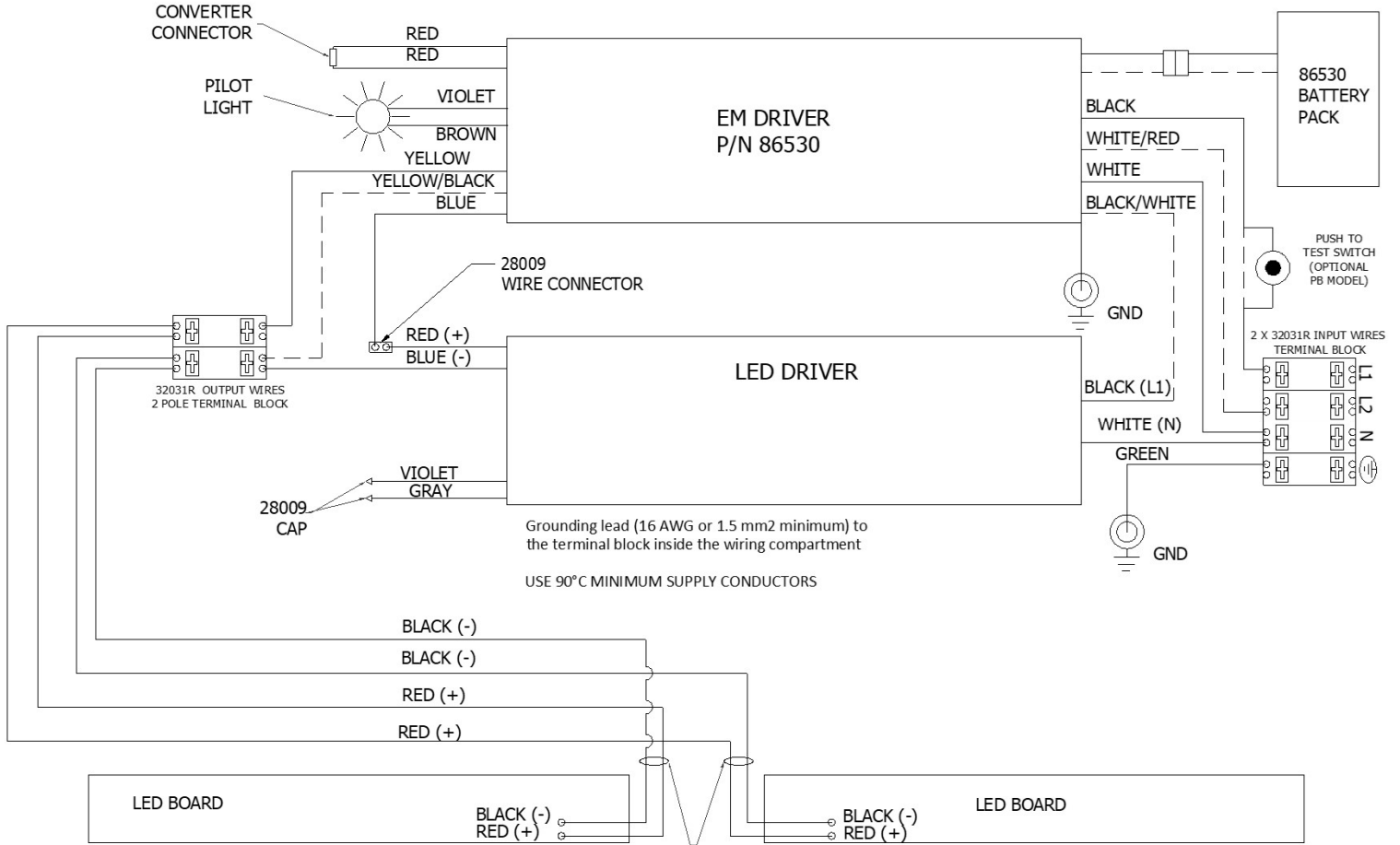
Oct 2022

availinfra.com/rig-a-lite/

Rev. 3

INSTALLATION DATA SHEET

WIRING DIAGRAMS XML 4FT MODELS



8500 Hansen Rd.
Houston, TX 77075 USA
XMLEMIDS

Tel: 713-943-0340

Oct 2022

availinfra.com/rig-a-lite/

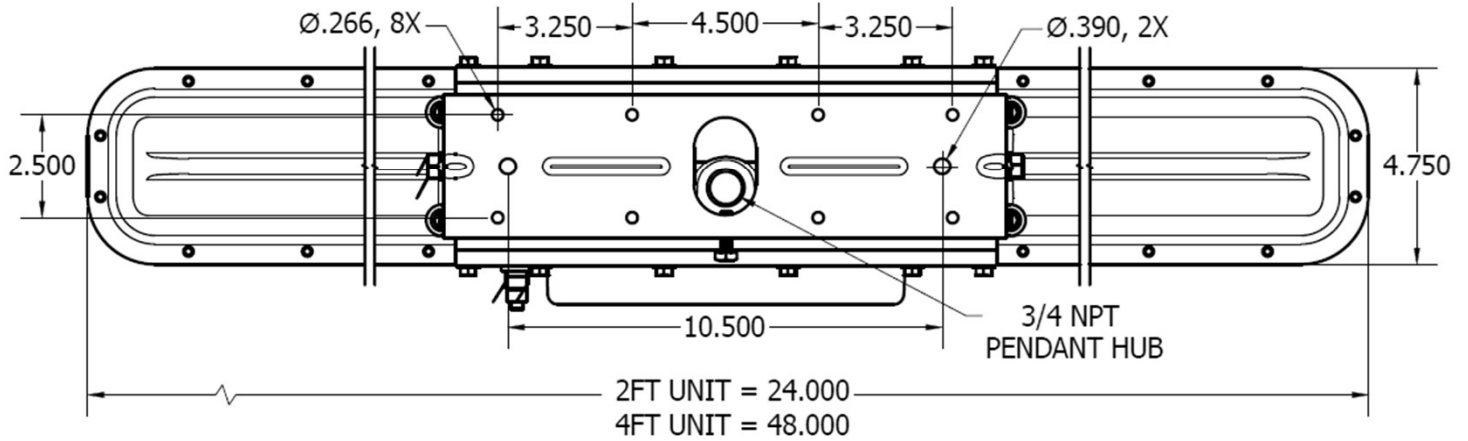
Rev. 3

INSTALLATION DATA SHEET

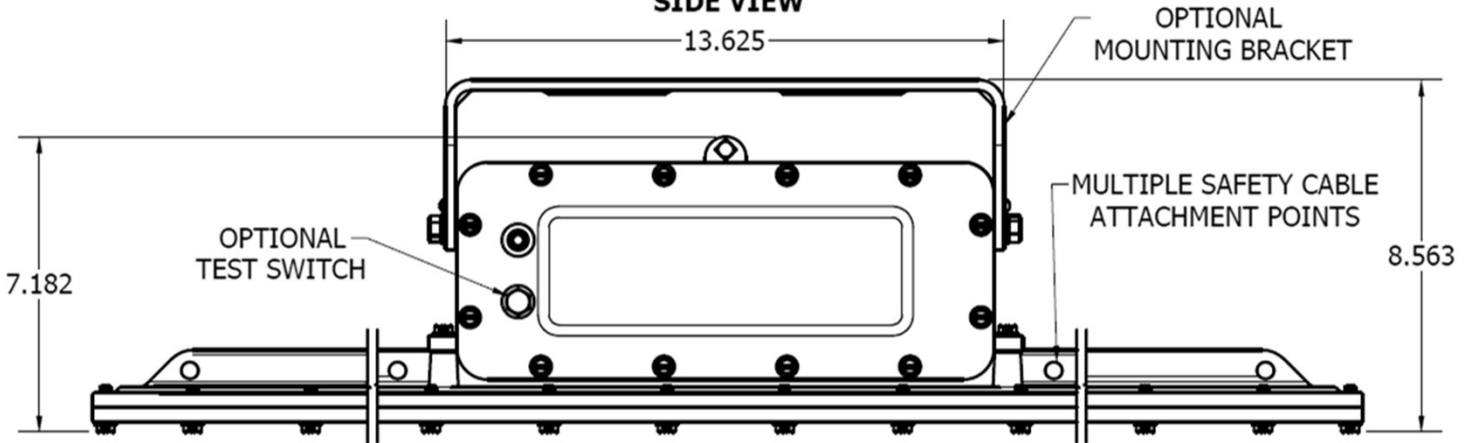
DIMENSIONAL DATA

TOP VIEW

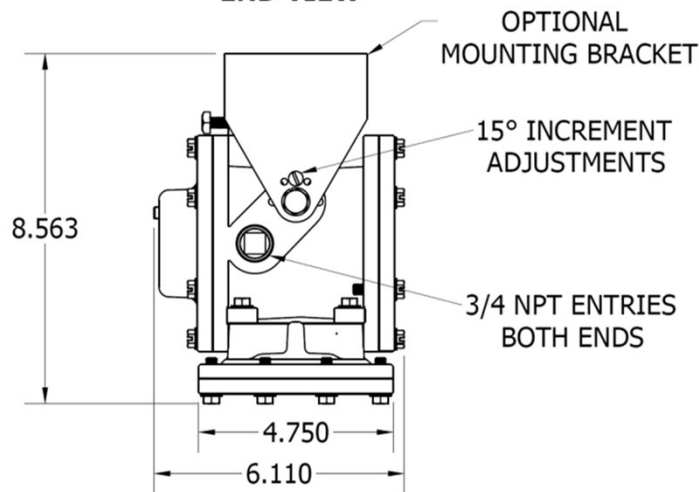
MOUNTING HOLES FOR
OPTIONAL MOUNTING BRACKET



SIDE VIEW



END VIEW



RIG-A-LITE™

8500 Hansen Rd.
Houston, TX 77075 USA
XMLEMIDS

Tel: 713-943-0340

Oct 2022

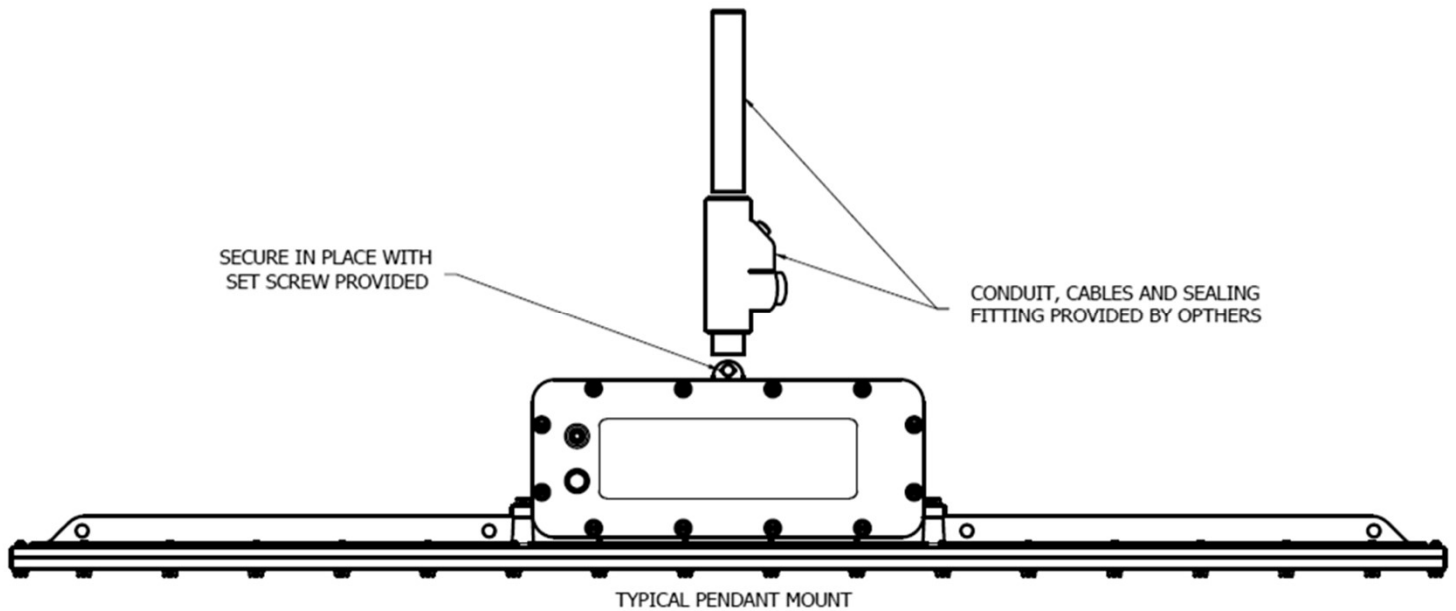
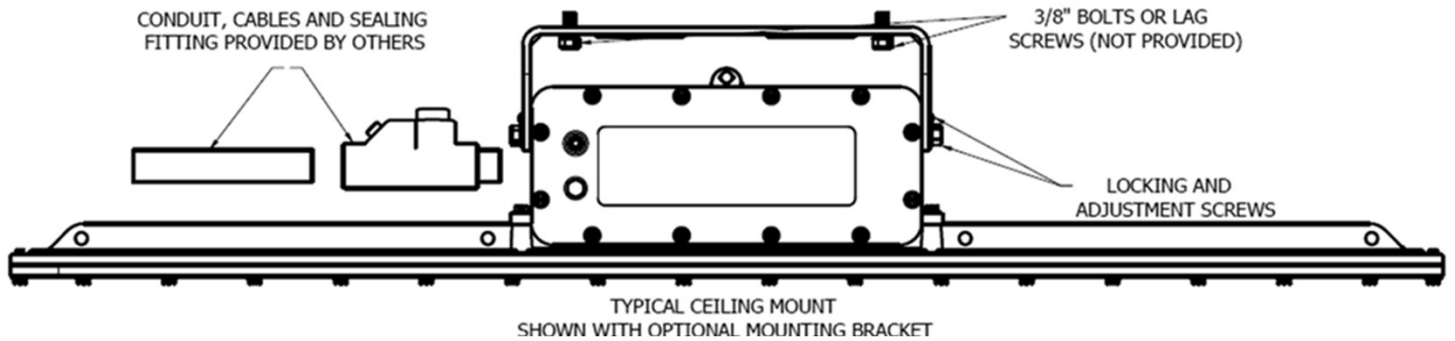
availinfra.com/rig-a-lite/

Rev. 3

INSTALLATION DATA SHEET

TYPICAL INSTALLATION AND MOUNTING INSTRUCTIONS

FOR REFERENCE ONLY, ALL WORK SHOULD BE PERFORMED BY QUALIFIED TECHNICIANS.
FITTINGS & CABLES OR CONDUITS MUST BE OF SAME RATING AS THE LUMINAIRE.
(NOT PROVIDED)



8500 Hansen Rd.
Houston, TX 77075 USA
XMLEMIDS

Tel: 713-943-0340

Oct 2022

availinfra.com/rig-a-lite/

Rev. 3