

INSTALLATION DATA SHEET

WFH LED SERIES

LUMINAIRE FOR USE IN HAZARDOUS LOCATIONS

Class I, Division 2, Groups A, B, C & D

WARNING!

- To reduce risk of fire or explosion, do not install where the marked operating temperature exceeds the ignition temperature of the hazardous atmosphere(s).
- These Luminaire Fittings should be installed by qualified technicians using suitable hazardous locations wiring methods in strict accordance with the National Electrical Code, NFPA 70 and any local requirements.
- To prevent risk of electrical shock deactivate/ disconnect power supply before opening. Keep tightly closed when in operation.

INSTALLATION:

1. Before installing, make sure that the circuit is deactivated.
2. This unit is furnished completely assembled. Before installing, check the luminaire label to insure correct voltage and frequency.
3. The LED driver in this luminaire is designed to operate in grounded neutral systems only.

For supply connections, Use MIN 90°C SUPPLY CONDUCTORS

4. Fixture can be installed using conduit. If the fixture has single 3/4" In. NPT hub it is recommended that the Angle Bar Chain Mount Kit Part # 53046 be used. As an alternate four dimples are provided on the top outside of the fixture where fixture can be drilled in the field for shoulder eye bolt installation (Eye Bolt Mounting Kit Part # 53116). Using Chain or cable to support the fixture.



RIG-A-LITE™

8500 Hansen Rd.
Houston, TX 77075 USA
WFHIDS

Tel: 713-943-0340

Oct 2022

availinfra.com/rig-a-lite/

Rev. 2

INSTALLATION DATA SHEET

OPERATIONAL DATA:

1. Operate this luminaire at its ratted voltage. See the luminaire label for data.

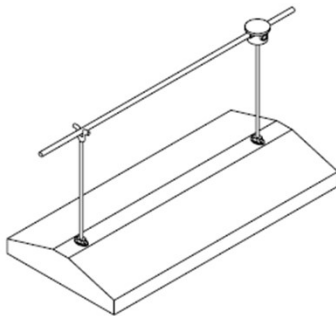
MAINTENANCE DATA:

CAUTION: DISCONNECT THE SUPPLY CIRCUIT BEFORE OPENING OR RELAMPING THE FIXTURE.

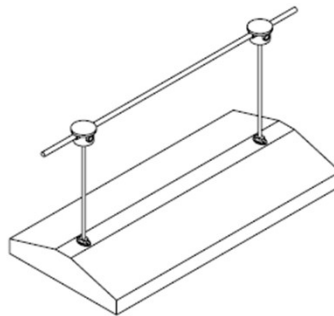
1. Although no routine maintenance is required to keep this luminaire functional, it should be checked periodically to ensure it is working properly, and to look for any external damage
2. For optimum performance, keep the light transmission portion of the luminaire clean.

TYPICAL INSTALLATIONS:

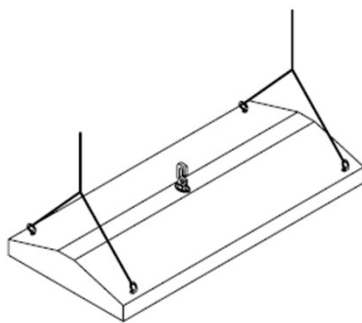
Dual Hub with one junction box and a fixed support.



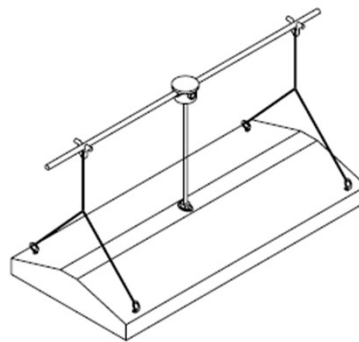
Dual Hub with two junction boxes.



Single Hub with luminaire hanger HCK75, Eye Bolt Mounting Kit 53116 and Y fit cable assemblies GRYSS122 or GRYSS222.



Single Hub with one junction box and Eye Bolt Mounting Kit 53116 and Y fit cable assemblies GRYSS122 or GRYSS222.



8500 Hansen Rd.
Houston, TX 77075 USA
WFHIDS

Tel: 713-943-0340

Oct 2022

availinfra.com/rig-a-lite/

Rev. 2