

INSTALLATION DATA SHEET

SAF SERIES

LUMINAIRE FITTINGS FOR USE IN HAZARDOUS LOCATIONS

Class I, Div. 2, Groups A, B, C & D

Class II, Div. 1, Groups E, F and G, Class III

Marine Outside Type (Saltwater)

WARNING!

- To reduce risk of fire or explosion, do not install where the marked operating temperature code (T-code) exceeds the ignition temperature of the hazardous atmosphere(s).
- These luminaires should be installed by qualified technicians using suitable hazardous location wiring methods in strict accordance with the National Electrical Code and any local requirements.
- To prevent risk of electrical shock, deactivate/ disconnect power supply before opening. Keep tightly closed when in operation.
- DO NOT SEPARATE WHEN ENERGIZED.
- DO NOT OPEN WHEN ENERGIZED.



SAF SERIES FIXTURE WHEN COMPLETELY ASSEMBLED WITH (1) GLOBE AND (1) OUTLET BOX (MOUNTING COVER). GUARD AND REFLECTORS ARE OPTIONAL. SEE TABLE BELOW.

OUTLET BOXES (MOUNTING COVERS) (ONE REQUIRED)

SMF, SMF1, SMP, SMP1, SMC, SMC1, SMW, SMW1, SMS, SMS1, SML, SML1, SMK, SMK1

OPTICS (ONE REQUIRED)

GLOBE – SGL25T, SGL40T, SRT25GL, SRT23GL, SRT21GL, SRE25GL, SRE23GL, SRE22GL, SRE45GL, SRE43GL, SRE42GL

OPTIONS

GUARDS – SXP25WG, SGU25P, SGU25SS, SGU25W, SGU40SS
EXTERNAL REFLECTORS – SR25A, SR25D, SR40A, SR40D, SR40HB



8500 Hansen Rd.
Houston, TX 77075 USA
SAFIDS

Tel: 713-943-0340

Oct 2022

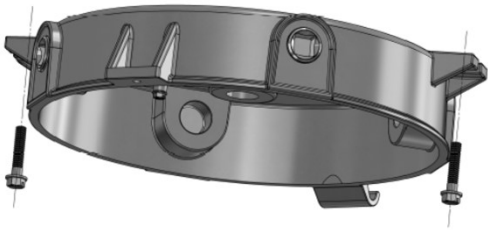
availinfra.com/rig-a-lite/

Rev. 2

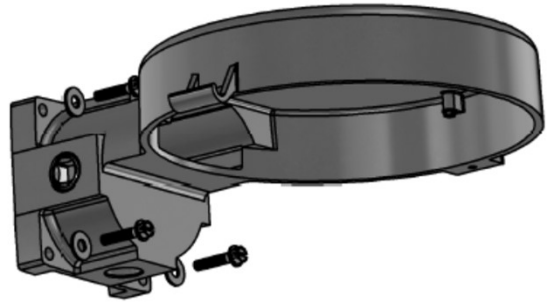
INSTALLATION DATA SHEET

INSTALLATION:

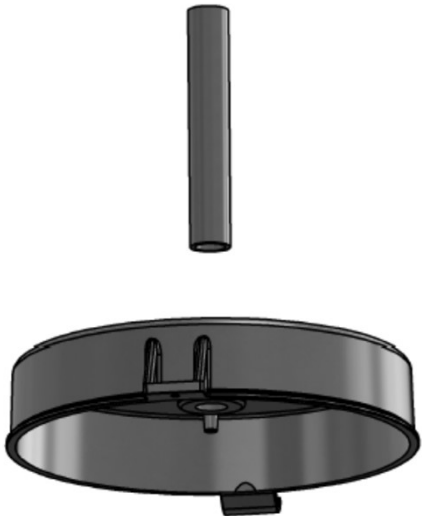
1. The luminaire should be installed per USCG-46CFR, subchapter J, parts 100-113 for all marine applications.
2. These luminaires are equipped with $\frac{3}{4}$ in or 1 in NPT hubs (Ceiling, Pendant, Wall) or 1.25 in or 1.5 in hubs (Stanchion mounts) for incoming power leads.
3. Secure the luminaire top mount to desired mounting surface using proper techniques for the selected mount.



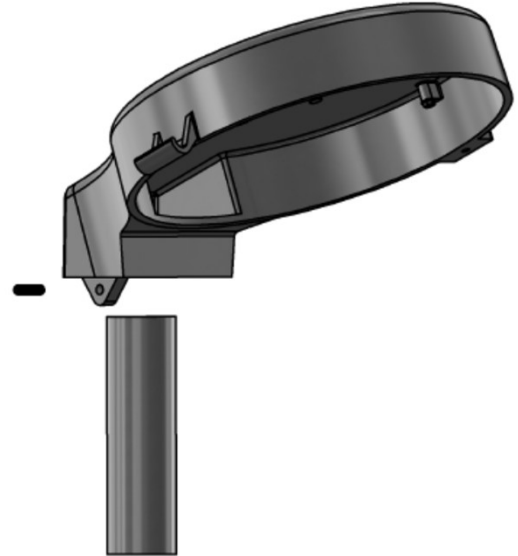
Ceiling Mount



Wall Mount



Pendant Mount



Stanchion Mount

(25° and 90°)

(UL Listed For US Only)



8500 Hansen Rd.
Houston, TX 77075 USA
SAFIDS

Tel: 713-943-0340

Oct 2022

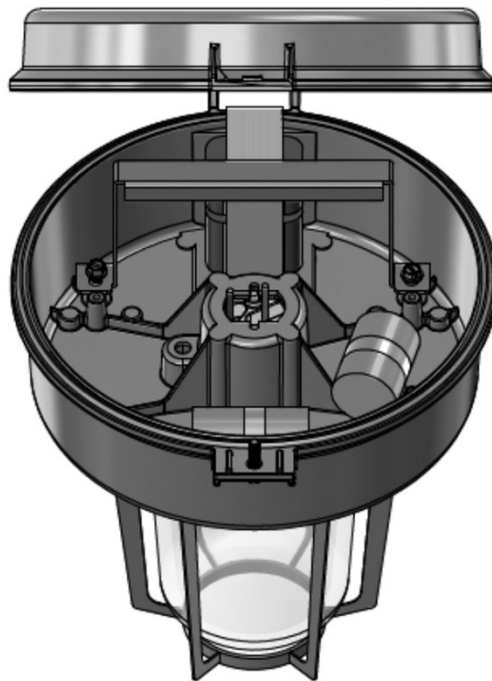
availinfra.com/rig-a-lite/

Rev. 2

INSTALLATION DATA SHEET

Wiring:

1. Before installing, make sure that the circuit is deactivated.
2. This unit is furnished completely assembled. Before installing, check the luminaire label to ensure correct voltage and frequency.
3. The ballast in this luminaire is designed to operate in grounded neutral systems only.
4. Place the new SAF housing into the mounting cover by lining up the hinge.
5. Must use listed fittings rated for the hazardous area and the environmental ratings intended, and having the same hazardous area and environmental ratings as marked on the luminaire. Minimum IP66.
6. Power leads are clearly marked. Connect the ground wire first. Then Select the correct voltage leads as determined by the supply voltage to the luminaire and install the incoming black and white leads to the respective ballast lead.
7. Swing the housing closed and Re-tighten the housing screw.
8. Close any un-used hubs with plugs or devices rated for the hazardous area and the environmental ratings intended, and having the same hazardous area and environmental ratings as marked on the luminaire. Plugs must engage three threads.
9. Physically inspect the outside.
10. Turn the power on.



OPERATIONAL DATA:

1. Operate the complete assembled luminaire at its rated voltage and frequency. See the luminaire housing label for this data.
2. Most HID lamps require 4 to 6 minutes to reach full brightness. A power failure or a large voltage drop will extinguish the arc within the lamp. The lamp will restrike after cooling down for about 5 to 12 minutes. High Pressure Sodium and Pulse Start Metal Halide lamps may restrike in about one and a half minutes.



8500 Hansen Rd.
Houston, TX 77075 USA
SAFIDS

Tel: 713-943-0340

Oct 2022

availinfra.com/rig-a-lite/

Rev. 2

INSTALLATION DATA SHEET

MAINTENANCE DATA

1. Although no routine maintenance is required to keep this luminaire functional, it should be checked periodically to ensure it is working properly, and to look for any external damage
2. For optimum performance, keep the light transmission portion of the luminaire clean.
3. To clean, wipe the lens with a clean, soft, damp cloth. A mild soap may be used as needed. Do not use strong abrasive cleaners.
4. Visually check for undue heating evidenced by discoloration of wires and other components, damaged parts or leakage of water or corrosion in the interior.
5. Replace all worn, damaged or malfunctioning components.
6. Check that all mechanical components are properly assembled and secure.
7. Make sure all electrical connections are safe and secure.
8. Clean and inspect all gaskets before putting the luminaire back in service.
9. If this product is used in a combustible dust area, clean the outside on a regular basis to prevent excessive accumulation of dust.
10. Optional guard and reflectors can be installed on the luminaire to protect the luminaire. Refer to Rig-A-Lite's website or contact your nearest Rig-A-Lite distributor for information.

TO RELAMP, REMOVE THE GUARD AND GLOBE/REFRACTOR AND REPLACE THE LAMP.

REPAIRS / OVERHAUL / MODIFICATION

The relevant national regulations which apply to the maintenance / servicing of electrical apparatus in hazardous atmospheres shall be observed. Should the Luminaire enclosure be damaged, only a replacement will be permitted. The luminaire should be returned to Rig-A-Lite for inspection/repair.

Modifications to the device or changes of its design are prohibited.

The equipment must be operated according to the intended purpose in a perfect and undamaged condition.

TECHNICAL DATA

Rated Input Voltage: 120V/ 208V/ 240V/ 277VAC 60Hz Multi Tap ballast,
220V 50 Hz
347V 60Hz
480VAC 60 Hz

Operating Temperature: -40°C to up to +55°C

Housing Material: Die Cast Aluminum

Storage Temperature: -40°C to 85°C

