

INSTALLATION DATA SHEET

NMF2 LED SERIES

LED LUMINAIRE FOR USE IN ORDINARY LOCATIONS
Suitable for Wet Locations

- THIS PRODUCT MUST BE INSTALLED IN ACCORDANCE WITH THE APPLICABLE INSTALLATION CODE BY A PERSON FAMILIAR WITH THE CONSTRUCTION AND OPERATION OF THE PRODUCT AND THE HAZARDS INVOLVED.
- CE PRODUIT DOIT ÊTRE INSTALLÉ SELON LE CODE D'INSTALLATION PERTINENT, PAR UNE PERSONNE QUI CONNAÎT BIEN LE PRODUIT ET SON FONCTIONNEMENT AINSI QUE LES RISQUES INHÉRENTS.
- TO PREVENT RISK OF ELECTRICAL SHOCK, DEACTIVATE/ DISCONNECT POWER SUPPLY BEFORE OPENING. KEEP TIGHTLY CLOSED WHEN IN OPERATION.
- CAUTION – RISK OF FIRE. "FOR SUPPLY CONNECTION, USE WIRES RATED FOR AT LEAST 90°C".
- ATTENTION – RISQUE D'INCENDIE. POUR LES CONNEXIONS D'ALIMENTATION , DONC POUR LUI DES FILS NOTE MOINS 90°C



8500 Hansen Rd.
Houston, TX 77075 USA
NMF2IDS

Tel: 713-943-0340

Oct 2022

availinfra.com/rig-a-lite/

Rev. 2

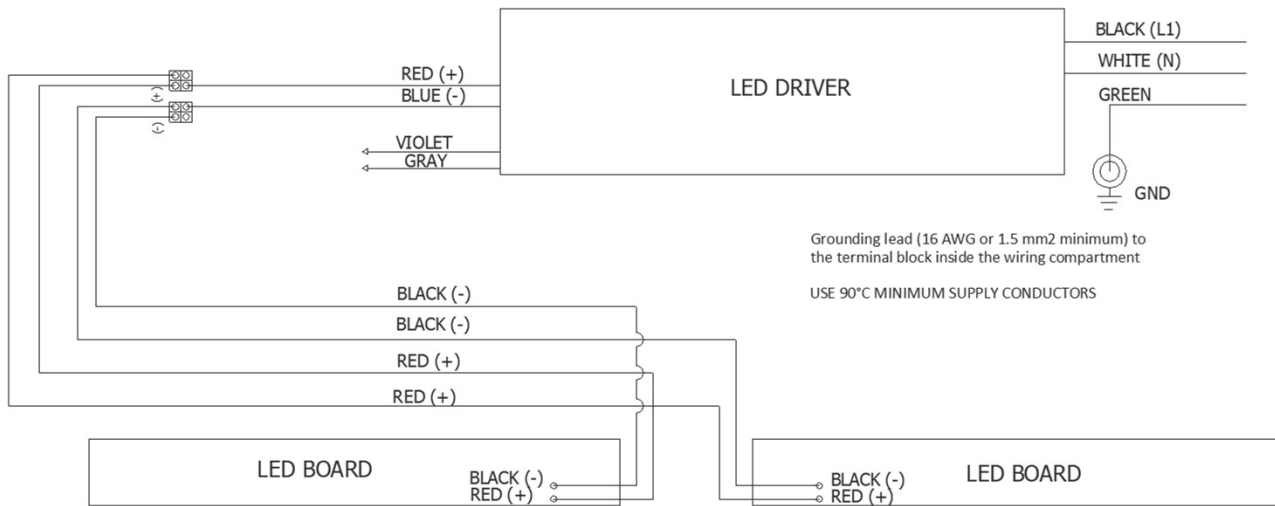
INSTALLATION DATA SHEET

INSTALLATION:

1. This unit is furnished completely assembled. Before installing, check the luminaire label to ensure correct voltage and frequency.
2. The LED driver in this luminaire is designed to operate in grounded neutral systems only.
3. Install the luminaire using the provided brackets. (Mounting hardware supplied by others)
4. Remove the lens and LED reflector assembly.
5. For supply connections, use conductors suitable for minimum 90°C .
6. Connect internal wires per wiring diagram on the LED driver, and according to NEC requirements.
7. Reassemble the LED reflector assembly and lens.

MAINTENANCE DATA:

1. Although no routine maintenance is required to keep this luminaire functional, it should be checked periodically to ensure it is working properly, and to look for any external damage
2. For optimum performance, keep the light transmission portion of the luminaire clean.



8500 Hansen Rd.
Houston, TX 77075 USA
NMF2IDS

Tel: 713-943-0340

Oct 2022

availinfra.com/rig-a-lite/

Rev. 2