

INSTALLATION DATA SHEET

MHLS SERIES

LED LUMINAIRE FOR USE IN HAZARDOUS LOCATIONS

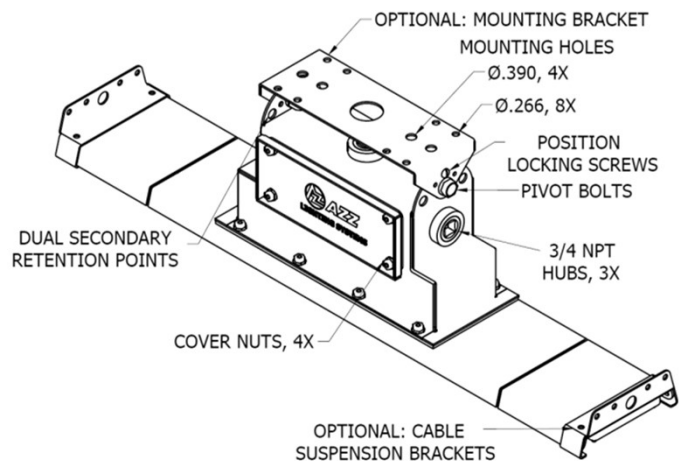
Class I, Division 2, Groups A, B, C & D, Class II, Division 2, Groups F & G, Class III
Suitable for Marine Outside Type (Saltwater) Rated IP66

WARNING!

- To reduce risk of fire or explosion, do not install where the marked operating temperature exceeds the ignition temperature of the hazardous atmosphere(s).
- These luminaires should be installed by qualified technicians using suitable hazardous location wiring methods in strict accordance with the National Electrical Code, NFPA 70 and any local requirements.
- To prevent risk of electrical shock, deactivate/ disconnect power supply before opening. Keep tightly closed when in operation.

INSTALLATION: Mounting:

1. The luminaire should be installed per USCG-46CFR, subchapter J, parts 100-113 for all marine applications.
2. Some of the typical installations are shown on the back of the instruction sheet.
3. This luminaire is equipped with (3) 3/4 NPT hubs for incoming power cable and Cord-Grip (not provided). Plug unused openings with plugs provided.
4. Secure the luminaire yoke to desired mounting surface using (4) 1/4" or (2) 3/8" bolts or lag screws (not provided), or other mounting means shown further back in these instructions.
5. To make vertical adjustments, remove the 10-32 x 1/2" position locking screws from the yoke, loosen the pivot bolts on the yoke and aim to desired angle in 15° increments. Reinstall the positioning screws in aligning holes and re-tighten the pivot bolts.
6. The unit may be fitted with beam clamps, however a secondary retention device is recommended. (see additional info at the back of this instruction sheet)



8500 Hansen Rd.
Houston, TX 77075 USA
MHLSIDS

Tel: 713-943-0340

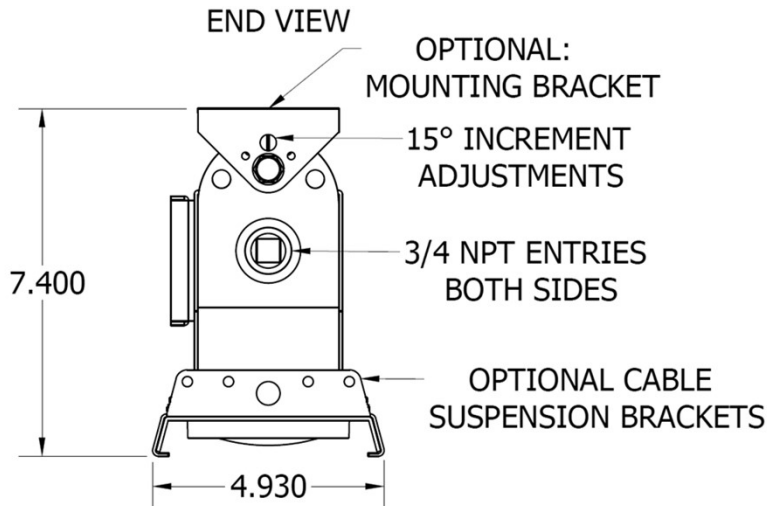
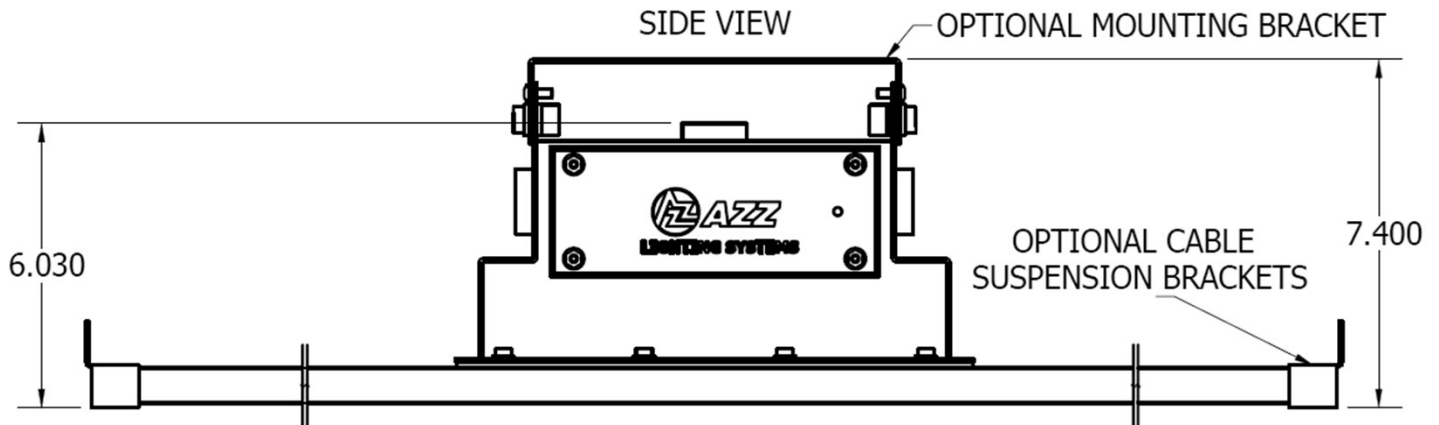
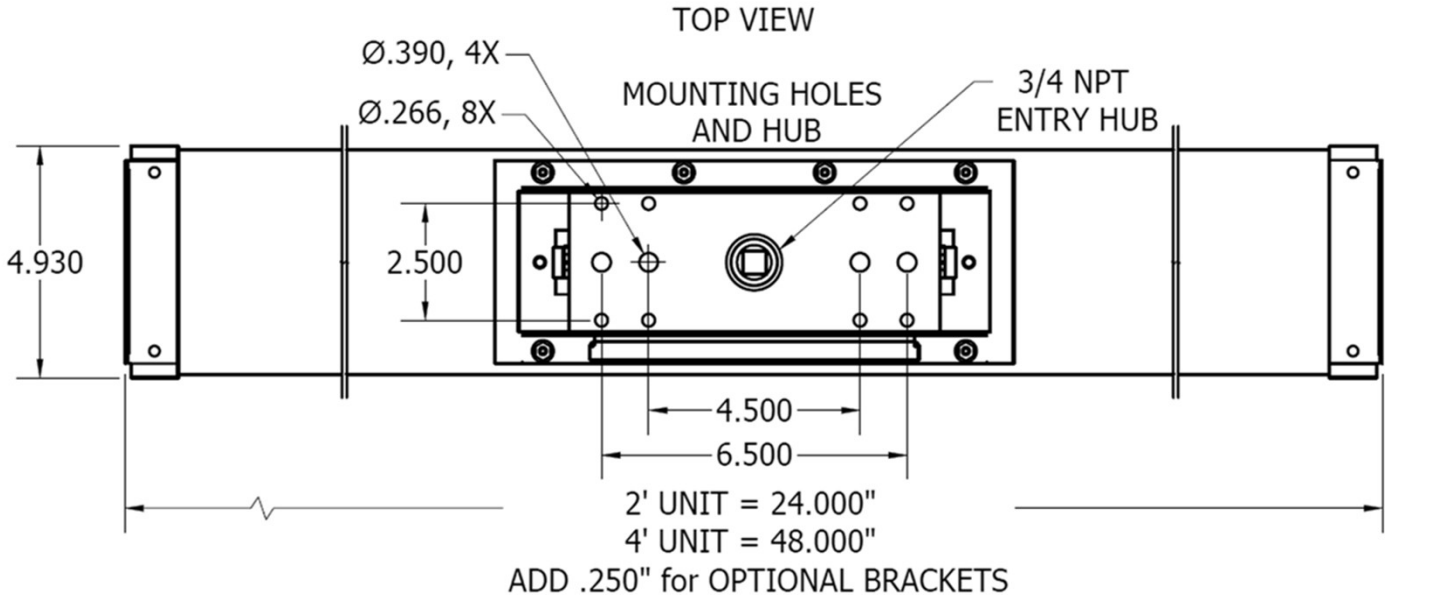
Oct 2022

availinfra.com/rig-a-lite/

Rev. 1

INSTALLATION DATA SHEET

DIMENSIONAL DATA



8500 Hansen Rd.
Houston, TX 77075 USA
MHLSDS

Tel: 713-943-0340

Oct 2022

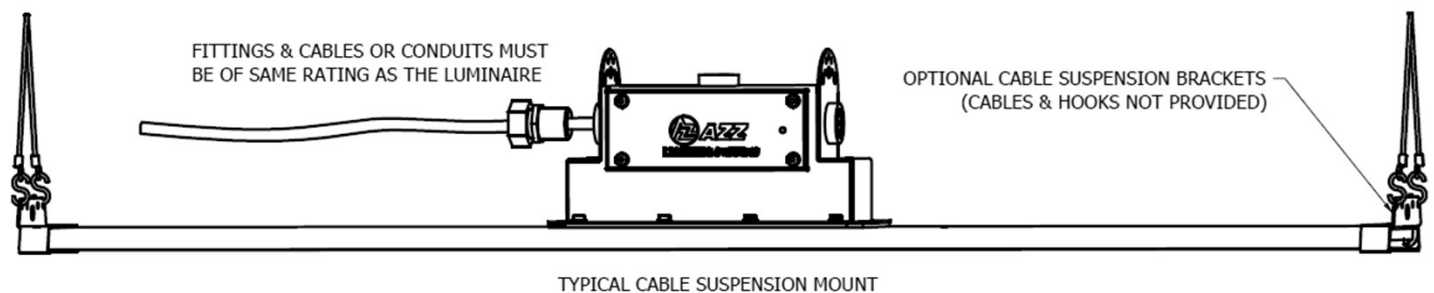
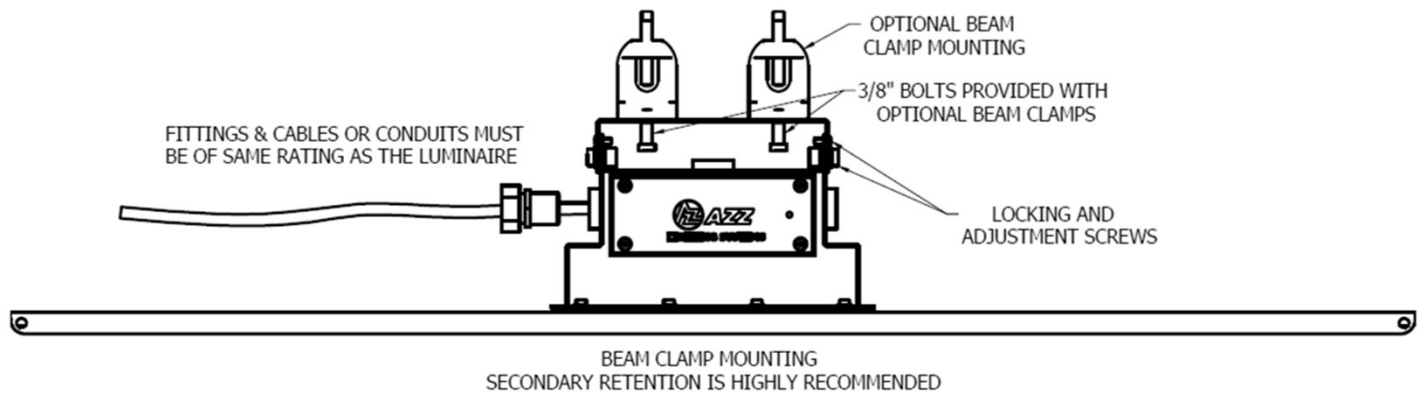
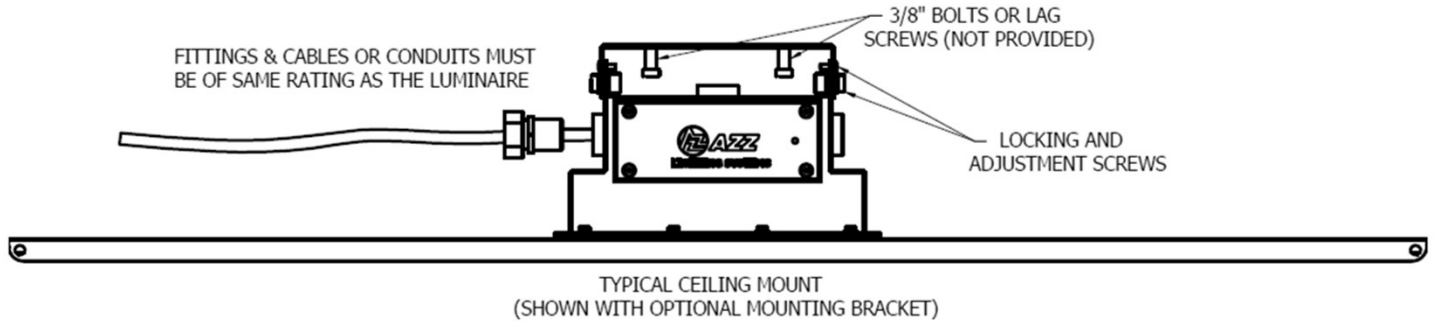
availinfra.com/rig-a-lite/

Rev. 1

INSTALLATION DATA SHEET

TYPICAL INSTALLATION AND MOUNTING INSTRUCTIONS

FOR REFERENCE ONLY, ALL WORK SHOULD BE PERFORMED BY QUALIFIED TECHNICIANS.
FITTINGS & CABLES OR CONDUITS MUST BE OF SAME RATING AS THE LUMINAIRE.
(NOT PROVIDED)



8500 Hansen Rd.
Houston, TX 77075 USA
MHLSDS

Tel: 713-943-0340

Oct 2022

availinfra.com/rig-a-lite/

Rev. 1