

# INSTALLATION DATA SHEET

## LHFL/LHFLJ SERIES

LED LUMINAIRE FOR USE IN HAZARDOUS LOCATIONS

Class I, Division 2, Groups A, B, C & D,  
Class II, Division 1, Groups E, F & G, Class III  
Suitable for Marine Outside Type (Saltwater)



### WARNING!

- To reduce risk of fire or explosion, do not install where the marked operating temperature code (T-code) exceeds the ignition temperature of the hazardous atmosphere(s).
- These luminaires should be installed by qualified technicians using suitable hazardous location wiring methods in strict accordance with the National Electrical Code and any local requirements.
- To prevent risk of electrical shock, deactivate/ disconnect power supply before opening. Keep tightly closed when in operation.
- DO NOT SEPARATE WHEN ENERGIZED.
- DO NOT OPEN WHEN ENERGIZED.

### INSTALLATION:

#### Trunion Mounting:

1. The luminaire should be installed per USCG-46CFR, subchapter J, parts 100-113 for all marine applications.
2. Some of the typical installations are shown on the back of the instruction sheet.
3. This luminaire is equipped with  $\frac{3}{4}$  in NPT hubs at the bottom for incoming power cable and Cord-Grip (not provided).
4. Secure the luminaire yoke to desired mounting surface using  $\frac{1}{2}$  in bolts or lag screws (not provided).
5. To make vertical adjustments, loosen the pivot bolts on the yoke and aim to desired angle. **MAKE SURE NOT TO EXCEED ANY AIMING ANGLE RANGE MARKED ON THE LUMINAIRE LABEL.**
6. Re-tighten the pivot bolts.

### INSTALLATION:

#### Pendant Mounting:

1. The luminaire should be installed per USCG-46CFR, subchapter J, parts 100-113 for all marine applications.
2. Some of the typical installations are shown on the back of the instruction sheet.
3. This luminaire is equipped with  $\frac{3}{4}$  in NPT hubs at the bottom for incoming power cable and Cord-Grip (not provided). Also, a  $\frac{3}{4}$  in NPT conduit entry is located at the back of the cover for pendant mounting and incoming power.
4. Mount the luminaire to conduit using back cover  $\frac{3}{4}$  in NPT hub and secure with the provided set screw.



8500 Hansen Rd.  
Houston, TX 77075 USA  
LHFL/LHFLJIDS

Tel: 713-943-0340

Oct 2022

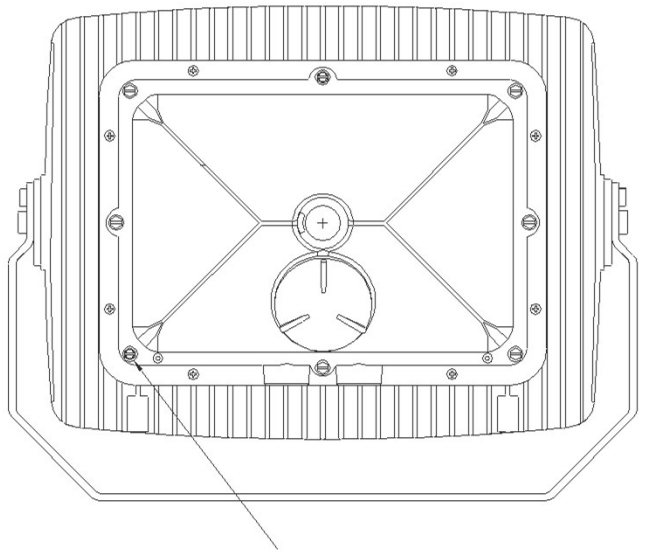
[availinfra.com/rig-a-lite/](http://availinfra.com/rig-a-lite/)

Rev. 5

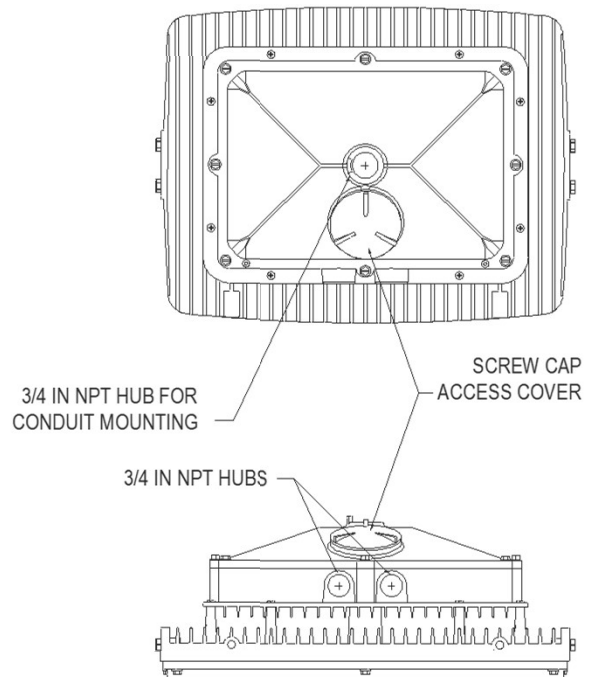
# INSTALLATION DATA SHEET

## Wiring:

1. Before installing, make sure that the circuit is deactivated.
2. This unit is furnished completely assembled. Before installing, check the luminaire label to ensure correct voltage and frequency.
3. The LED driver in this luminaire is designed to operate in grounded neutral systems only.
4. **For Trunnion mount** floodlight, open the back cover by loosening the eight (8) ¼-20 x 1.125" screws..
5. **For Pendant mount** luminaire, unscrew the screw cap access cover on the back cover to get access to the wiring compartment.
6. Must use Listed / Certified cable fittings rated for the hazardous area and the environmental ratings intended and having the same hazardous area and environmental ratings as marked on the luminaire. Minimum IP66.
7. Terminal Block for power leads are clearly marked. Connect the ground wire first.. Then select the correct voltage leads as determined by the supply voltage to the luminaire and install the incoming black and white leads to the respective terminal block slot.
7. Re-install the back cover and tighten the cover screws.
8. Close any un-used hubs with plugs or devices rated for the hazardous area and the environmental ratings intended and having the same hazardous area and environmental ratings as marked on the luminaire.



BACK COVER SCREWS (8)



## OPERATIONAL DATA:

1. Operate this luminaire at its rated voltage. See the luminaire label for data.



8500 Hansen Rd.  
Houston, TX 77075 USA  
LHFL/LHFLJIDS

Tel: 713-943-0340

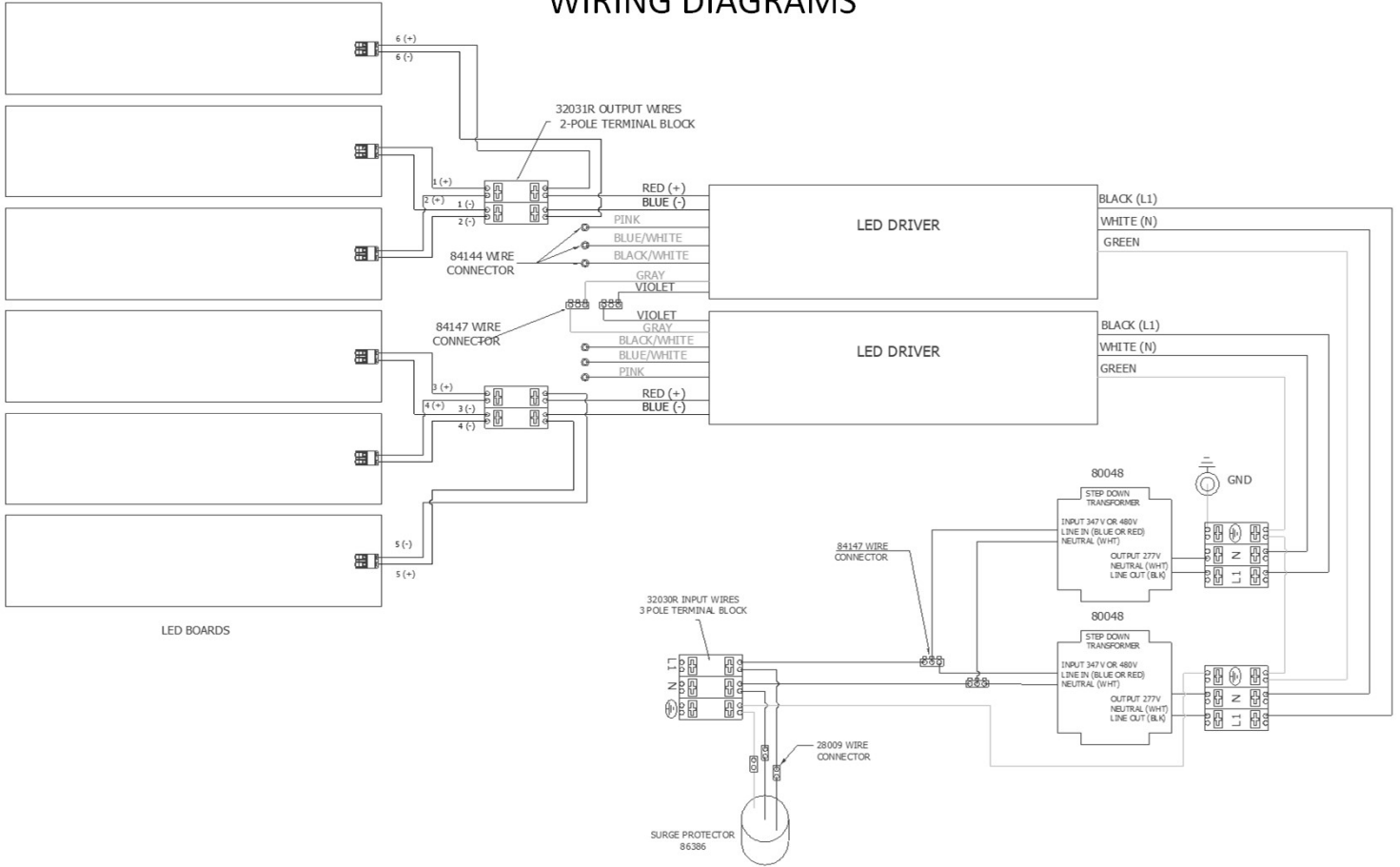
Oct 2022

[availinfra.com/rig-a-lite/](http://availinfra.com/rig-a-lite/)

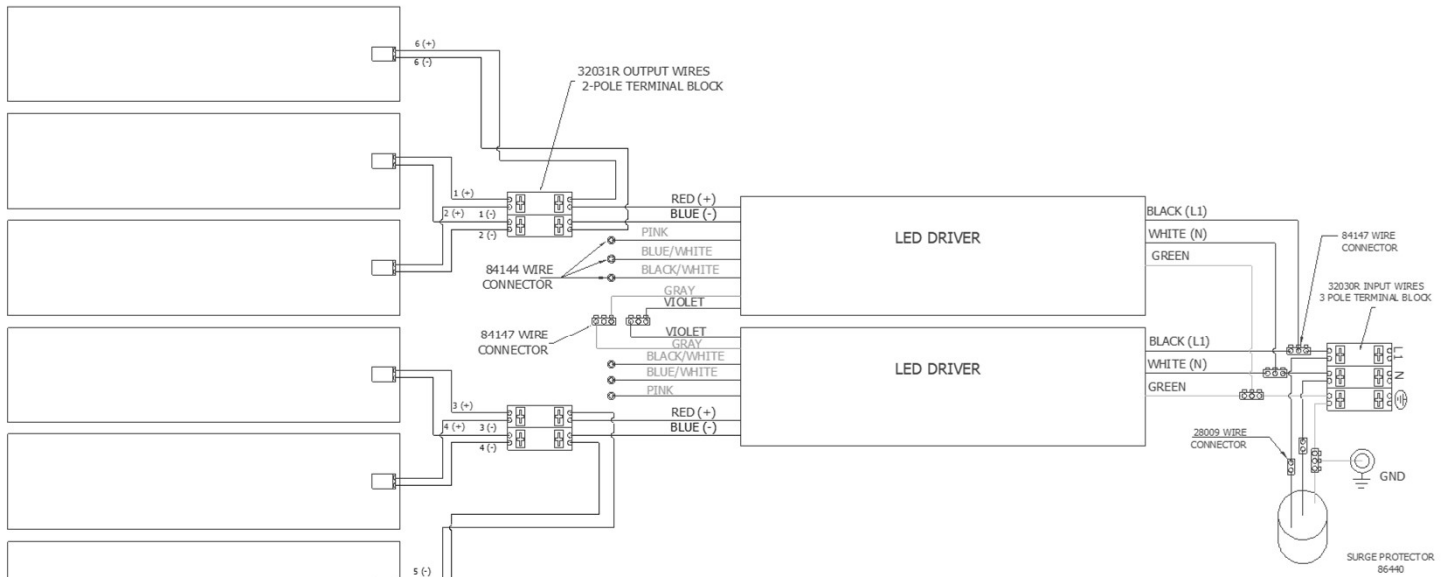
Rev. 5

# INSTALLATION DATA SHEET

## WIRING DIAGRAMS



### 347V/480V 60HZ Models 20, 23 and 27



### 120V THRU 277V 50/60HZ Models 20, 23 and 27



8500 Hansen Rd.  
Houston, TX 77075 USA  
LHFL/LHFLJIDS

Tel: 713-943-0340

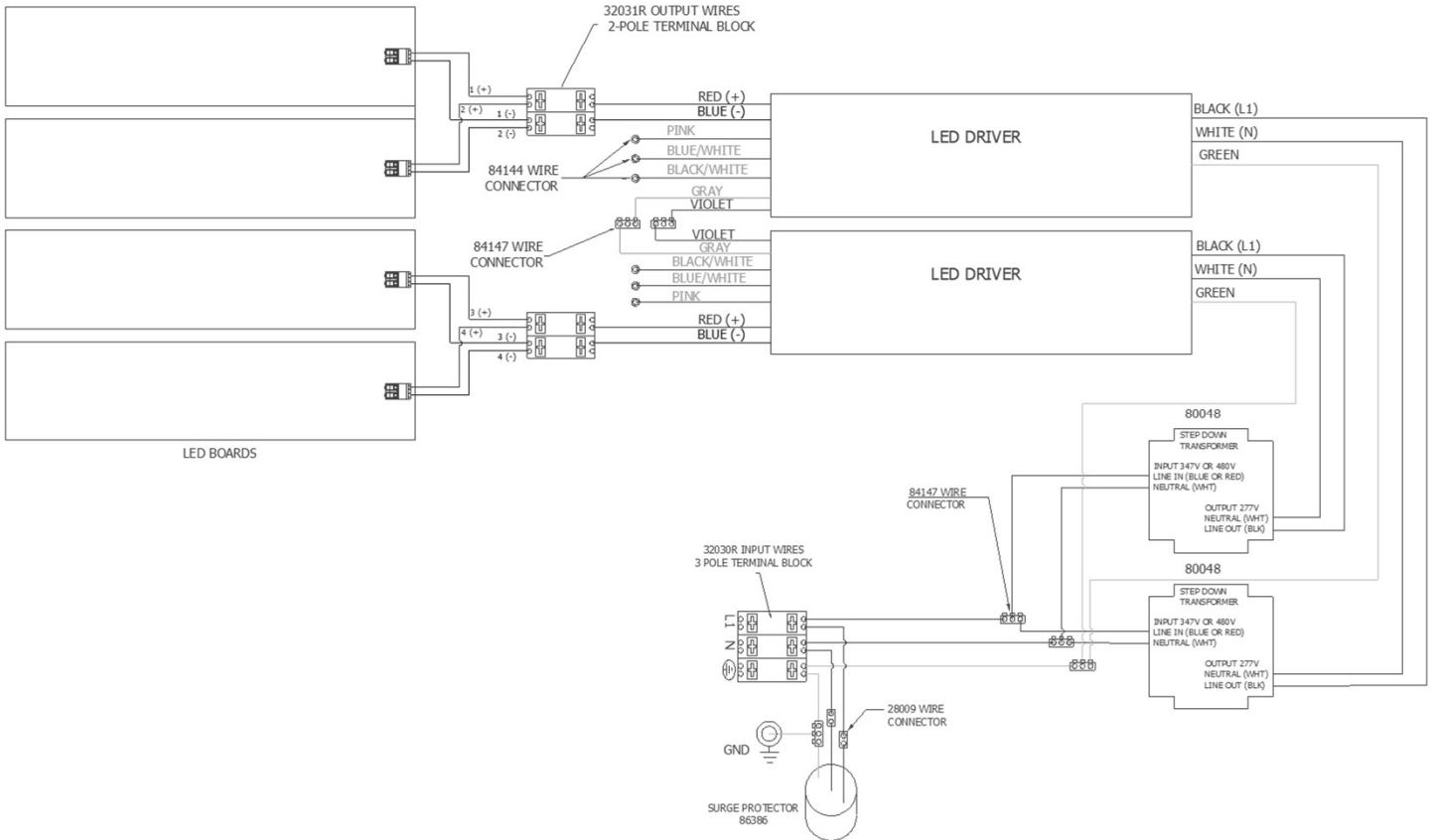
Oct 2022

[availinfra.com/rig-a-lite/](http://availinfra.com/rig-a-lite/)

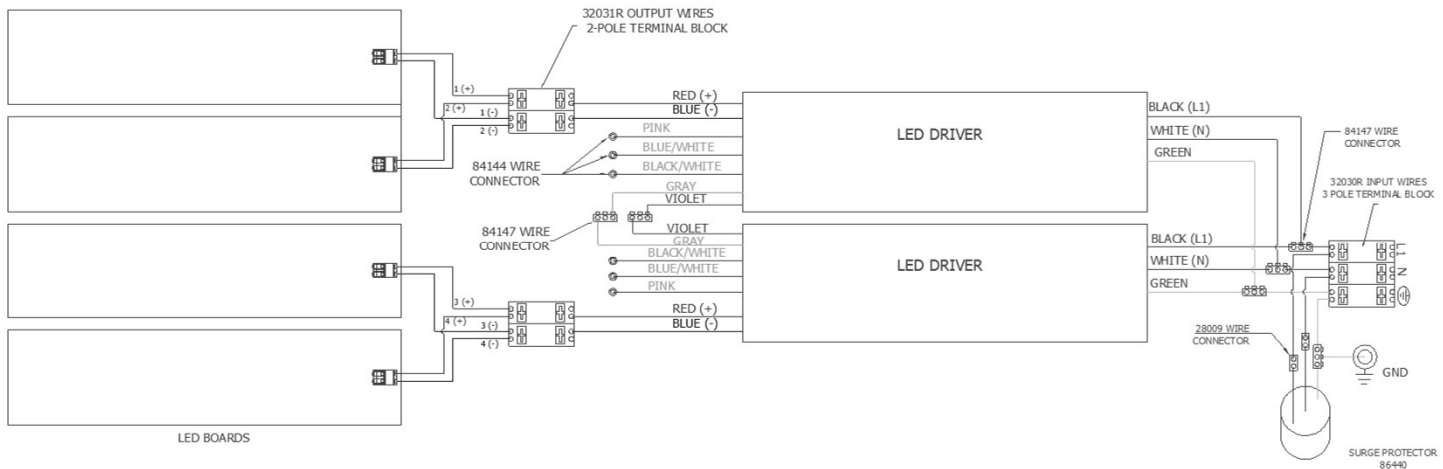
Rev. 5

# INSTALLATION DATA SHEET

## WIRING DIAGRAMS



347V/480V 60HZ Models 09, 12, 13, 15 and 17



120V THRU 277V 50/60HZ Models 09, 12, 13, 15 and 17



8500 Hansen Rd.  
Houston, TX 77075 USA  
LHFL/LHFLJIDS

Tel: 713-943-0340

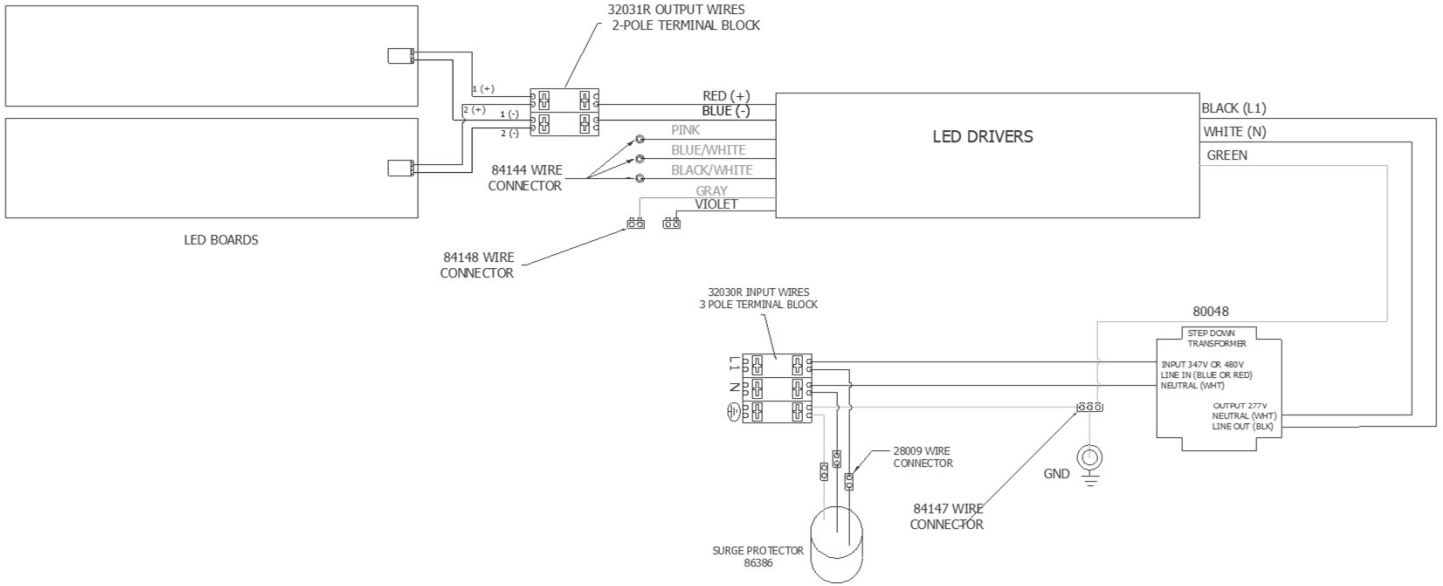
Oct 2022

[availinfra.com/rig-a-lite/](http://availinfra.com/rig-a-lite/)

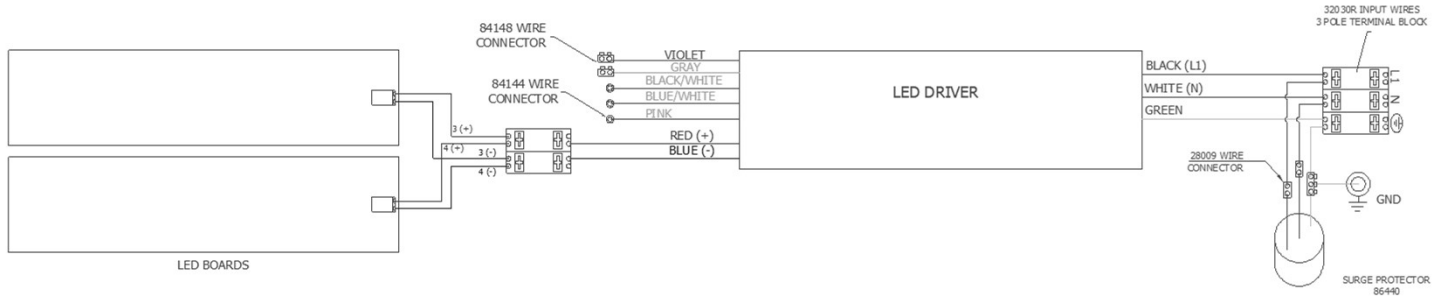
Rev. 5

# INSTALLATION DATA SHEET

## WIRING DIAGRAMS



347V/480V 60HZ Model 07



120V THRU 277V 50/60HZ Model 07



8500 Hansen Rd.  
Houston, TX 77075 USA  
LHFL/LHFLJIDS

Tel: 713-943-0340

Oct 2022

[availinfra.com/rig-a-lite/](http://availinfra.com/rig-a-lite/)

Rev. 5

# INSTALLATION DATA SHEET

## MAINTENANCE DATA:

1. Although no routine maintenance is required to keep this luminaire functional, it should be checked periodically to ensure it is working properly, and to look for any external damage
2. For optimum performance, keep the light transmission portion of the luminaire clean.
3. To clean, wipe the lens with a clean, soft, damp cloth. A mild soap may be used as needed. Do not use strong abrasive cleaners.
4. Visually check for undue heating evidenced by discoloration of wires and other components, damaged parts or leakage of water or corrosion in the interior.
5. Replace all worn, damaged or malfunctioning components.
6. Check that all mechanical components are properly assembled and secure.
7. Make sure all electrical connections are safe and secure.
8. Clean and inspect all gaskets before putting the luminaire back in service.
9. If this product is used in a combustible dust area, clean the outside on a regular basis to prevent excessive accumulation of dust.
10. An optional stainless steel wire guard, visor or both can be installed on the luminaire to protect the floodlight. Refer to Rig-A-Lite's website or contact your nearest Rig-A-Lite distributor for information.

## TECHNICAL DATA

Rated Input Voltage: 100-277VAC 50/60Hz,  
347V / 480V 60Hz

Operating Temperature -40°C to +65°C

Rated Input Power: 64W, 75W, 98W, 117W, 131W,  
133W, 162W, 170W and 192W

Housing Material: Copper Free Aluminum (less than  
0.04% Aluminum).

Housing Color: Greyhound Grey

Storage Temp. -0°C to 85°C

Dimensions: See Dimensional Diagrams

Protection Glass: Tempered Glass

Cable entries: Two ¾ in NPT

Weight: up to 19.1 Kg (42 lbs)

## REPAIRS / OVERHAUL / MODIFICATION

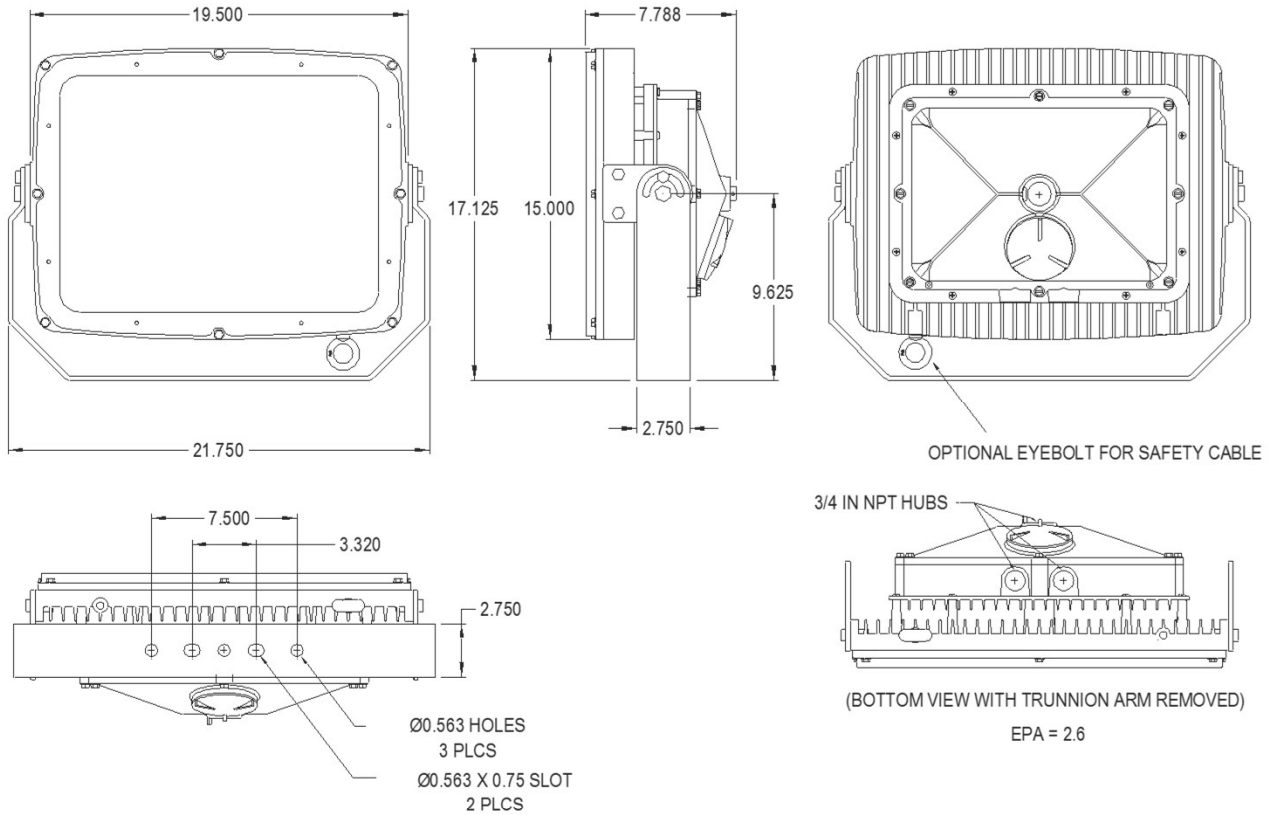
The relevant national regulations which apply to the maintenance / servicing of electrical apparatus in hazardous atmospheres shall be observed. Should the Luminaire enclosure be damaged, only a replacement will be permitted. The luminaire should be returned to Rig-A-Lite for inspection/repair. Modifications to the device or changes of it's design are prohibited.

The equipment must be operated according to the intended purpose in a perfect and undamaged condition.

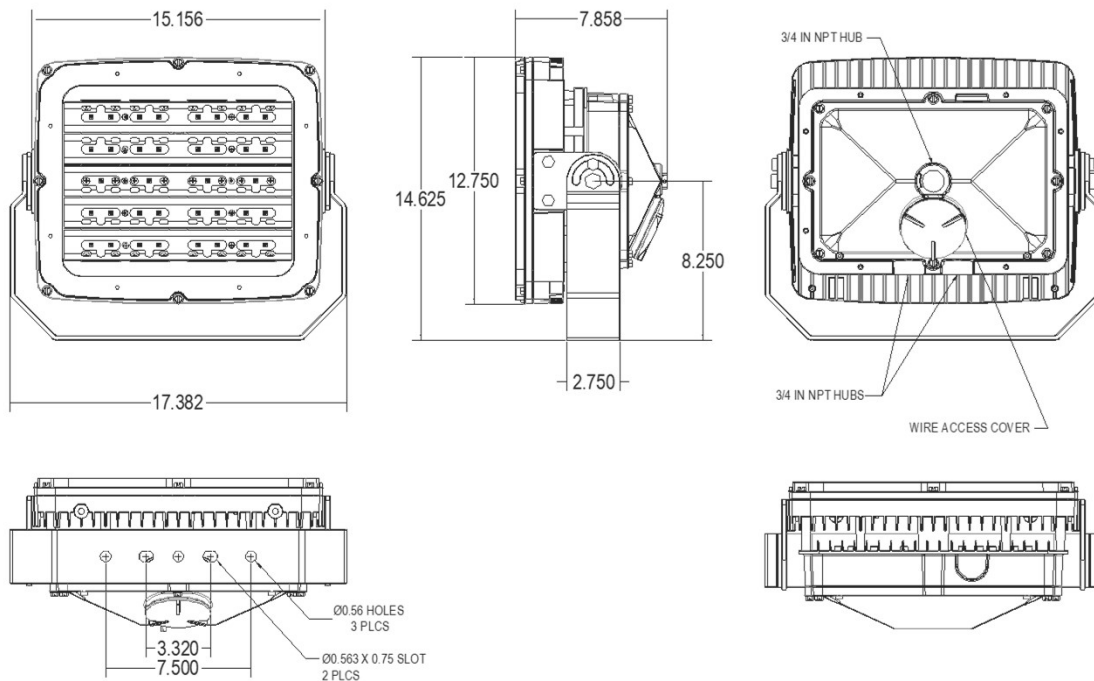


# INSTALLATION DATA SHEET

## LHFL TRUNNION MOUNT DIMENSIONS:



## LHFLJ TRUNNION MOUNT DIMENSIONS:



8500 Hansen Rd.  
Houston, TX 77075 USA  
LHFL/LHFLJIDS

Tel: 713-943-0340

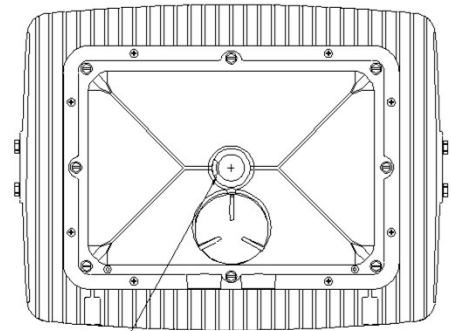
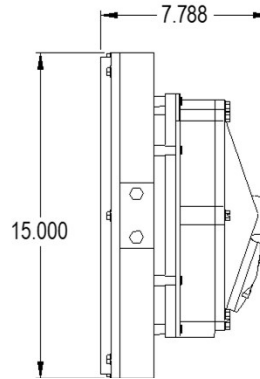
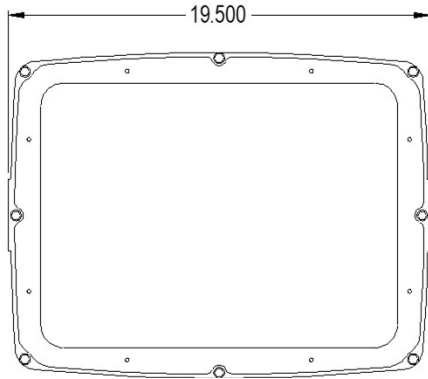
Oct 2022

[availinfra.com/rig-a-lite/](http://availinfra.com/rig-a-lite/)

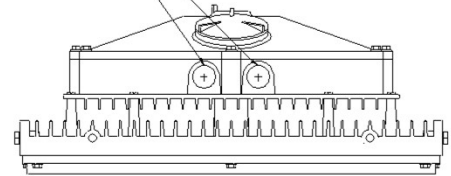
Rev. 5

# INSTALLATION DATA SHEET

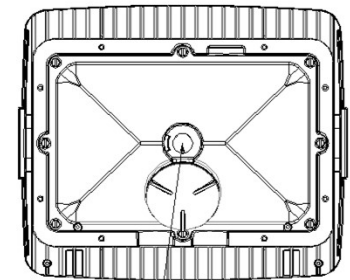
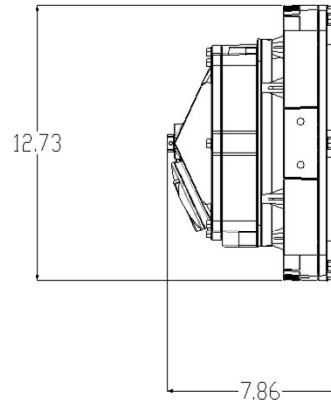
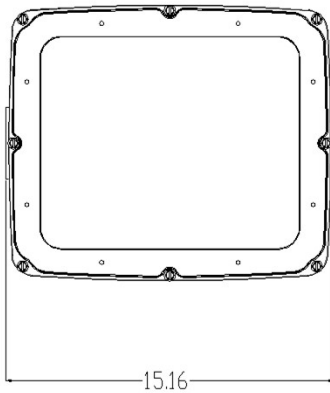
## LHFL PENDANT MOUNT DIMENSIONS:



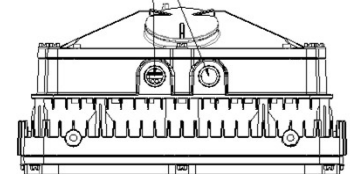
3/4 IN NPT HUBS



## LHFLJ PENDANT MOUNT DIMENSIONS:



3/4 IN NPT HUBS



8500 Hansen Rd.  
Houston, TX 77075 USA  
LHFL/LHFLJIDS

Tel: 713-943-0340

Oct 2022

[availinfra.com/rig-a-lite/](http://availinfra.com/rig-a-lite/)

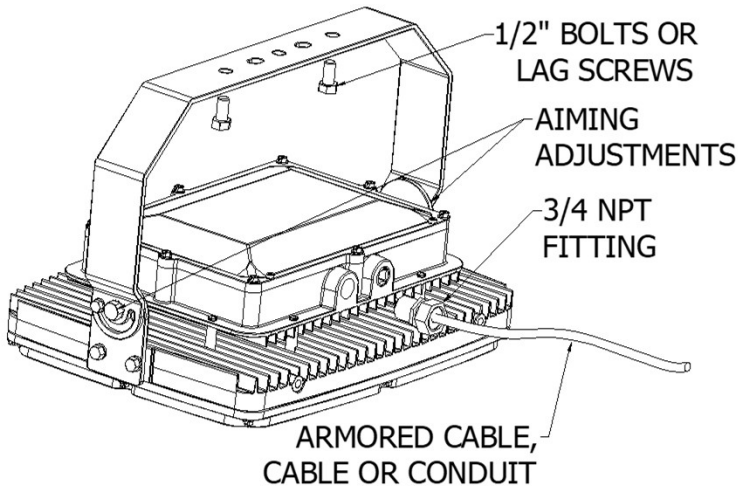
Rev. 5



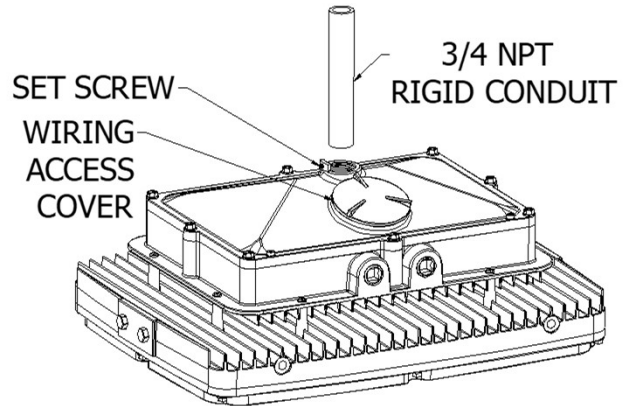
# INSTALLATION DATA SHEET

## TYPICAL INSTALLATION AND MOUNTING INSTRUCTIONS

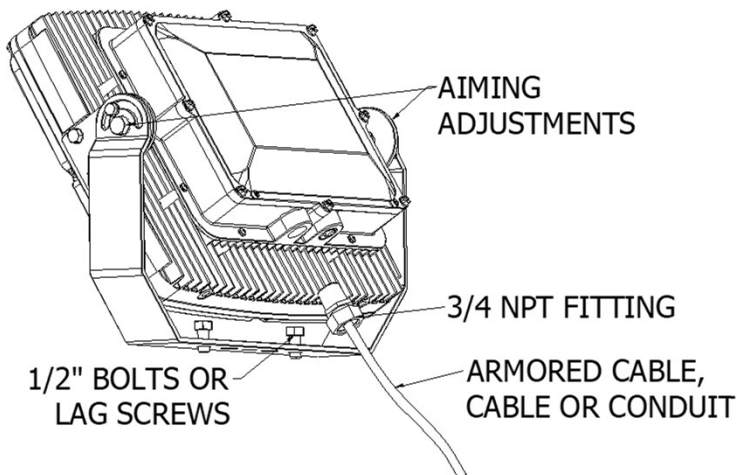
FOR REFERENCE ONLY, ALL WORK SHOULD BE PERFORMED BY QUALIFIED TECHNICIANS.



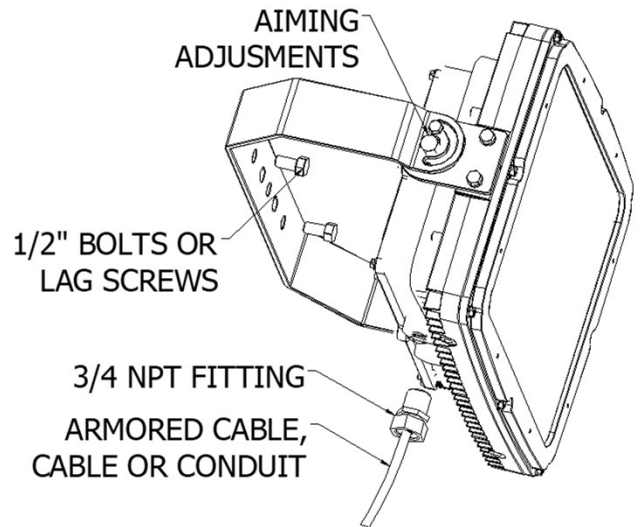
CEILING INSTALLATION



PENDANT INSTALLATION



DECK INSTALLATION



WALL INSTALLATION



8500 Hansen Rd.  
Houston, TX 77075 USA  
LHFL/LHFLJIDS

Tel: 713-943-0340

Oct 2022

[availinfra.com/rig-a-lite/](http://availinfra.com/rig-a-lite/)

Rev. 5