

INSTALLATION DATA SHEET

LFLJ-EM SERIES

LED FLOODLIGHT LUMINAIRE

Suitable for Marine Outside Type (Saltwater)

Suitable for Wet Locations

Not For Use in Dwellings

Emergency Battery Backup Luminaire

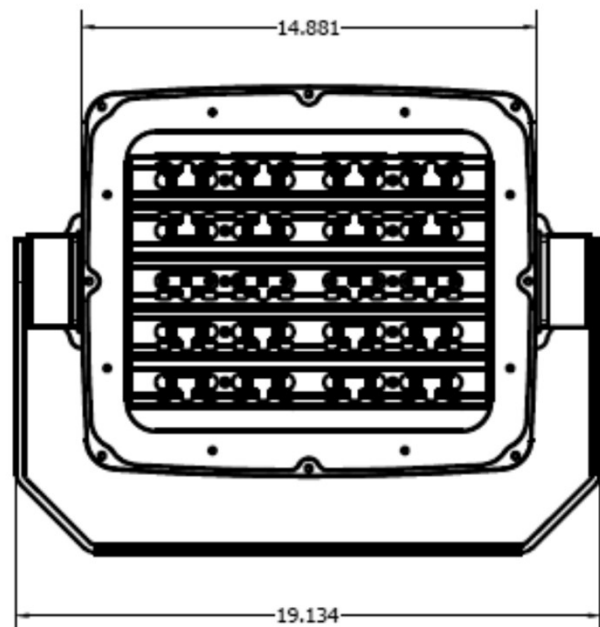
WARNING!

- These luminaires should be installed by qualified technicians using suitable hazardous location wiring methods in strict accordance with the National Electrical Code and any local requirements.
- To prevent risk of electrical shock, deactivate/ disconnect power supply before opening. Keep tightly closed when in operation.
- DO NOT SEPARATE WHEN ENERGIZED.
- DO NOT OPEN WHEN ENERGIZED.

INSTALLATION:

Trunnion Mounting:

1. The luminaire should be installed per USCG-46CFR, subchapter J, parts 100-113 for all marine applications.
2. Some of the typical installations are shown on the back of the instruction sheet.
3. This luminaire is equipped with $\frac{3}{4}$ in NPT hubs at the bottom for incoming power cable and Cord-Grip (not provided).
4. Secure the luminaire yoke to desired mounting surface using $\frac{1}{2}$ in bolts or lag screws (not provided).
5. To make vertical adjustments, loosen the pivot bolts on the yoke and aim to desired angle. **MAKE SURE NOT TO EXCEED ANY AIMING ANGLE RANGE MARKED ON THE LUMINAIRE LABEL.**
6. Re-tighten the pivot bolts.



8500 Hansen Rd.
Houston, TX 77075 USA
LFLJEMIDS

Tel: 713-943-0340

Oct 2022

availinfra.com/rig-a-lite/

Rev. 2

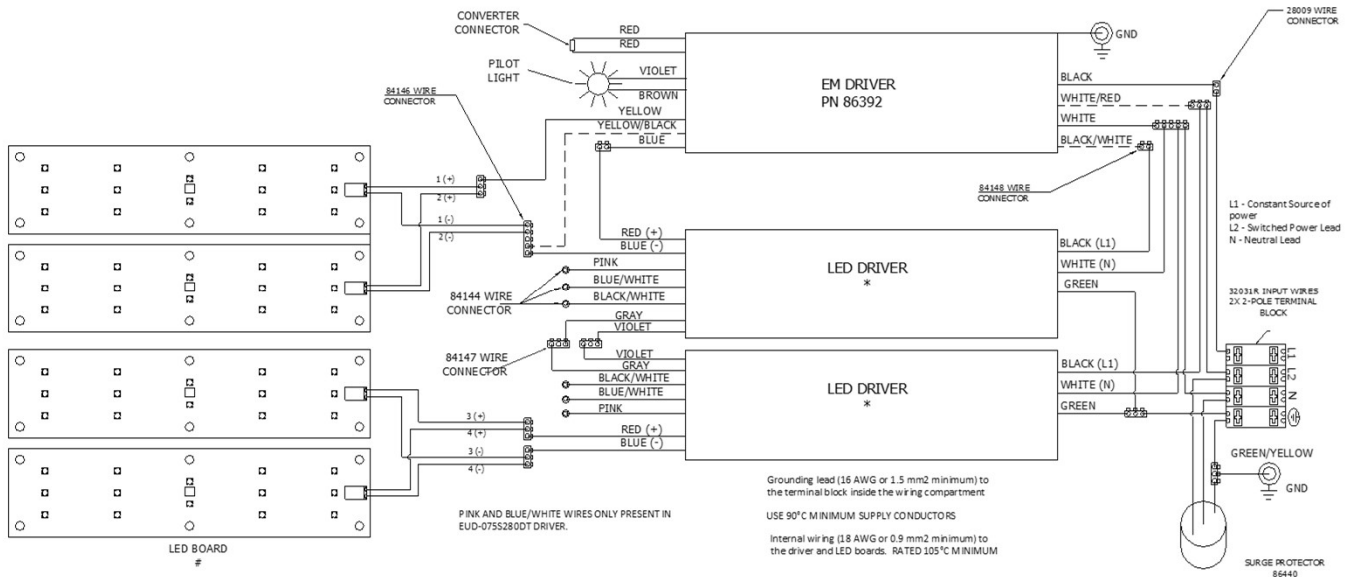
INSTALLATION DATA SHEET

Wiring:

1. Before installing, make sure that the circuit is deactivated.
2. This unit is furnished completely assembled. Before installing, check the luminaire label to ensure correct voltage and frequency. Operate this luminaire at its rated voltage. See the luminaire label for data.
3. Open the back cover by loosening the ten (10) captive screws on the back cover.
4. Terminal Block for power leads are clearly marked. Connect the ground wire first. Then select the correct voltage leads as determined by the supply voltage to the luminaire and install the incoming black and white leads to the respective terminal block slot. **If it is desired to switch the unit from a wall switch, connect the WHITE/RED wire from the terminal block and hook the incoming switched power lead to it. The switch must have the same hazardous ratings as the luminaire. The black wire must still have continuous incoming power. For continuous un-switched operation, both WHITE/RED and BLACK wires must be connected to the incoming power lead.**
5. After all connections are made, and prior to applying power, connect the battery connector together. This will allow the battery to discharge during a loss of supply power. The fixture will be in the emergency mode until power is applied.
6. Re-install the back cover, making sure the gasket is seated in the groove and tighten the cover screws.
7. Close any un-used hubs with plugs provided.
8. Energize unit. A minimum 24 hour charge time is required to operate as emergency lighting equipment.

OPERATIONAL DATA:

1. Operate this luminaire at its rated voltage. See the luminaire label for data.



8500 Hansen Rd.
Houston, TX 77075 USA
LFLJEMIDS

Tel: 713-943-0340

Oct 2022

availinfra.com/rig-a-lite/

Rev. 2

INSTALLATION DATA SHEET

MAINTENANCE DATA:

1. Although no routine maintenance is required to keep this luminaire functional, it should be checked periodically to ensure it is working properly, and to look for any external damage
2. For optimum performance, keep the light transmission portion of the luminaire clean.
3. To clean, wipe the lens with a clean, soft, damp cloth. A mild soap may be used as needed. Do not use strong abrasive cleaners.
4. Visually check for undue heating evidenced by discoloration of wires and other components, damaged parts or leakage of water or corrosion in the interior.
5. Replace all worn, damaged or malfunctioning components.
6. Check that all mechanical components are properly assembled and secure.
7. Make sure all electrical connections are safe and secure.
8. Clean and inspect all gaskets before putting the luminaire back in service.
9. If this product is used in a combustible dust area, clean the outside on a regular basis to prevent excessive accumulation of dust.
10. An optional stainless steel wire guard, visor or both can be installed on the luminaire to protect the floodlight. Refer to Rig-A-Lite's website or contact your nearest Rig-A-Lite distributor for information.

TECHNICAL DATA

Rated Input Voltage: 100-277VAC 50/60Hz
Operating Temperature 0°C to +40°C
Rated Input Power: 64W - 133 W
Housing Material: Copper Free Aluminum (less than 0.04% Aluminum).
Housing Color: Greyhound Grey

Storage Temp. -0°C to 85°C
Dimensions: See Dimensional Diagrams
Protection Glass: Tempered Glass
Cable entries: Two ¾ in NPT
Weight: up to 19.1 Kg (42 lbs)

REPAIRS / OVERHAUL / MODIFICATION

The relevant national regulations which apply to the maintenance / servicing of electrical apparatus in hazardous atmospheres shall be observed. Should the Luminaire enclosure be damaged, only a replacement will be permitted. The luminaire should be returned to Rig-A-Lite for inspection/repair. Modifications to the device or changes of it's design are prohibited.
The equipment must be operated according to the intended purpose in a perfect and undamaged condition.



8500 Hansen Rd.
Houston, TX 77075 USA
LFLJEMIDS

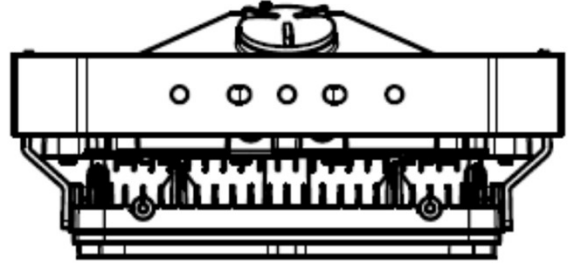
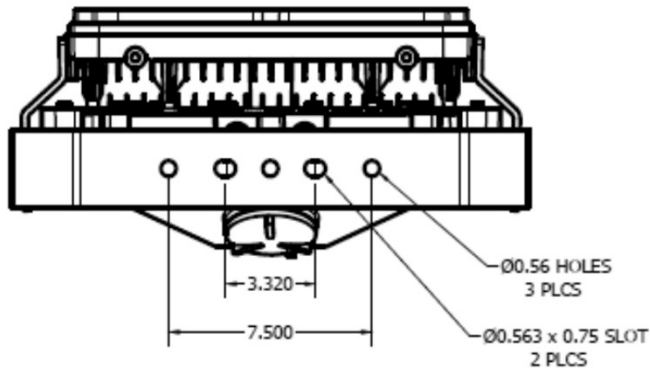
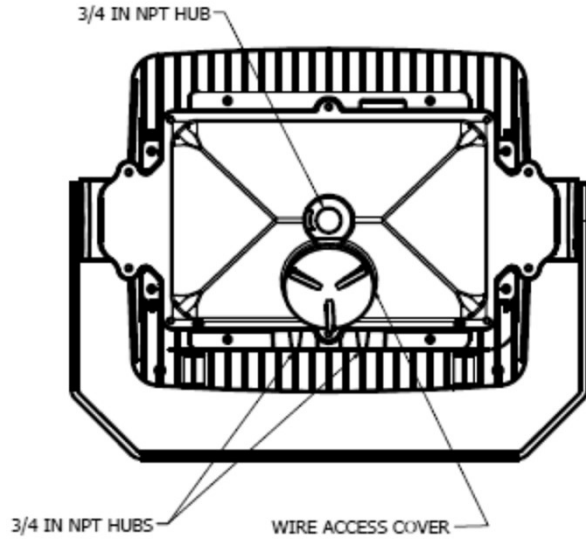
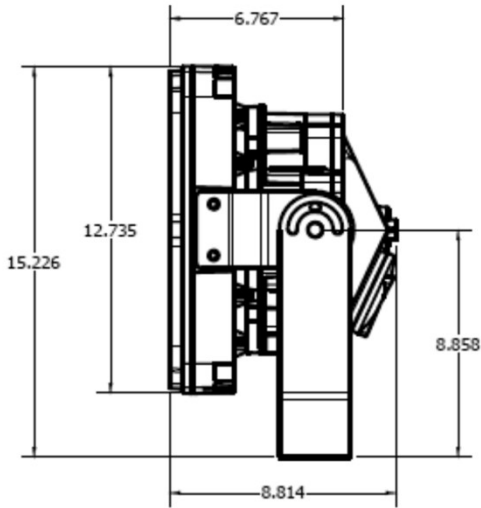
Tel: 713-943-0340

Oct 2022

availinfra.com/rig-a-lite/

Rev. 2

INSTALLATION DATA SHEET



8500 Hansen Rd.
Houston, TX 77075 USA
LFLJEMIDS

Tel: 713-943-0340

Oct 2022

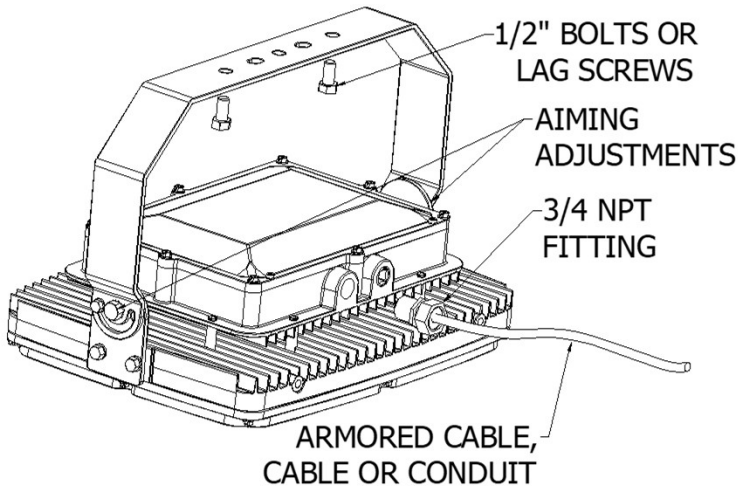
availinfra.com/rig-a-lite/

Rev. 2

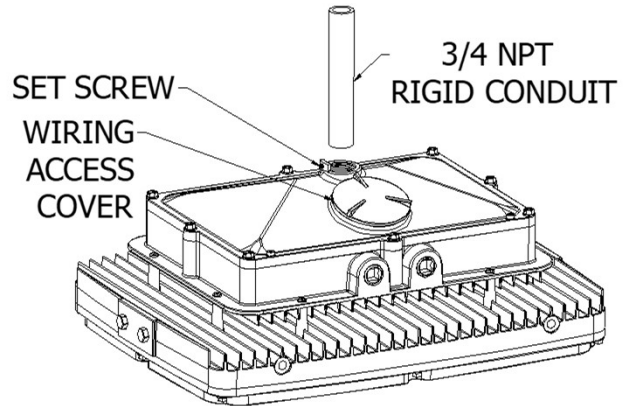
INSTALLATION DATA SHEET

TYPICAL INSTALLATION AND MOUNTING INSTRUCTIONS

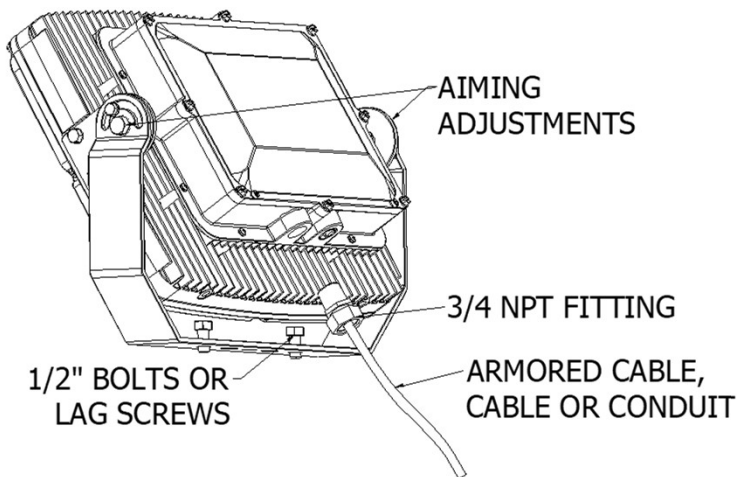
FOR REFERENCE ONLY, ALL WORK SHOULD BE PERFORMED BY QUALIFIED TECHNICIANS.



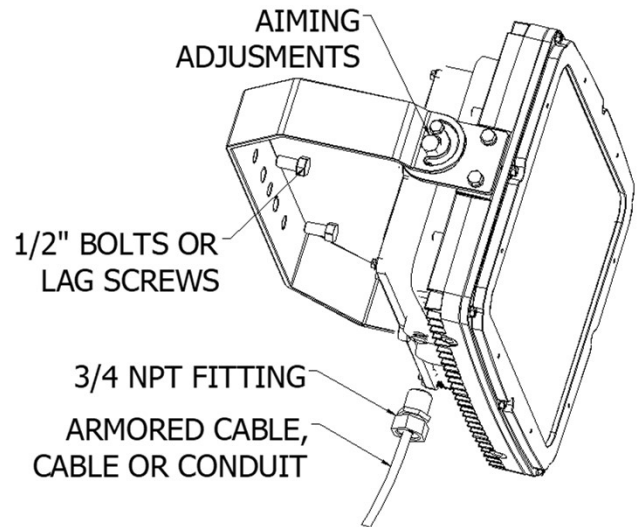
CEILING INSTALLATION



PENDANT INSTALLATION



DECK INSTALLATION



WALL INSTALLATION



8500 Hansen Rd.
Houston, TX 77075 USA
LFLJEMIDS

Tel: 713-943-0340

Oct 2022

availinfra.com/rig-a-lite/

Rev. 2