

INSTALLATION DATA SHEET

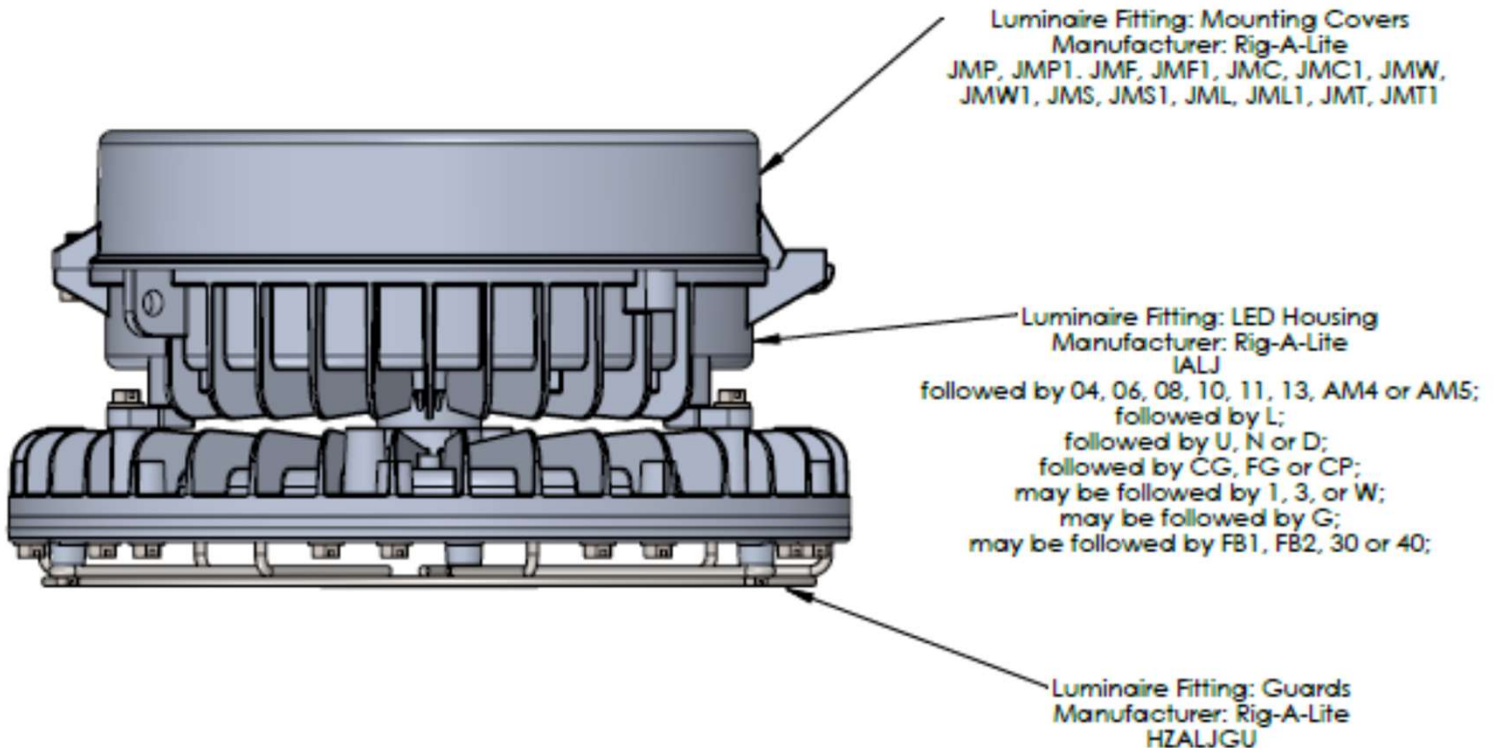
IALJ SERIES

LED LUMINAIRE FITTINGS FOR USE IN ORDINARY, DAMP OR WET LOCATIONS

Suitable for Marine Outside Type (Salt Water)

WARNING!

- To reduce risk of fire or explosion, do not install where the marked operating temperature code (T-code) exceeds the ignition temperature of the hazardous atmosphere(s).
- These luminaires should be installed by qualified technicians using specific suitable hazardous location wiring methods in strict accordance with the NEC, CEC and any other local requirements.
- To prevent risk of electrical shock, deactivate/ disconnect power supply before opening. Keep tightly closed when in operation.
- DO NOT SEPARATE WHEN ENERGIZED.
- DO NOT OPEN WHEN ENERGIZED.



8500 Hansen Rd.
Houston, TX 77075 USA
IALJINST

Tel: 713-943-0340

Oct 2022

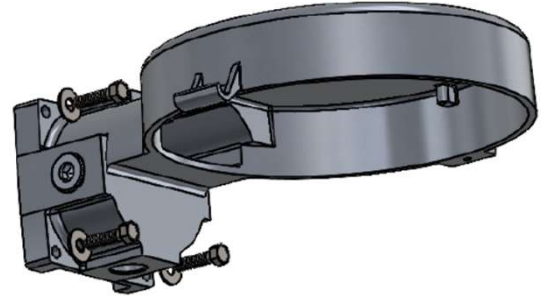
availinfra.com/rig-a-lite/

Rev. 1

INSTALLATION DATA SHEET

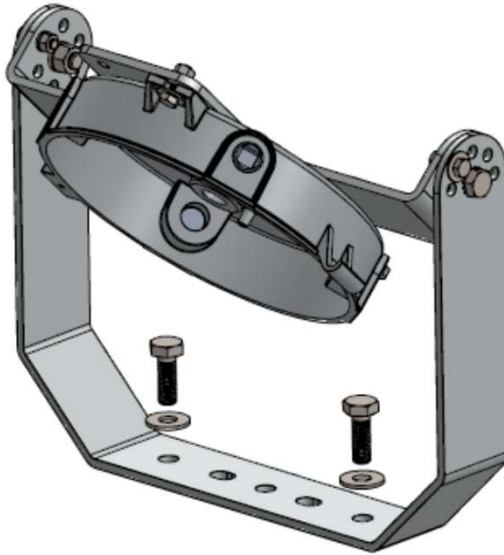
INSTALLATION:

1. The luminaire should be installed per CG-259 (issued by the American Bureau of shipping and Coast Guard) for all marine applications.
2. These luminaires are equipped with ¾ in or 1 in NPT hubs (Ceiling, Pendant, Wall or Trunnion) or 1.25 in or 1.5 in hubs (Stanchion mounts) for incoming power leads.
3. Secure the luminaire top mount to desired mounting surface using proper techniques for the selected mount.



Ceiling Mount

Wall Mount



Trunnion Mount

For ceiling or wall mount only



Pendant Mount

Stanchion Mount
(25° and 90°)



8500 Hansen Rd.
Houston, TX 77075 USA
IALJINST

Tel: 713-943-0340

Oct 2022

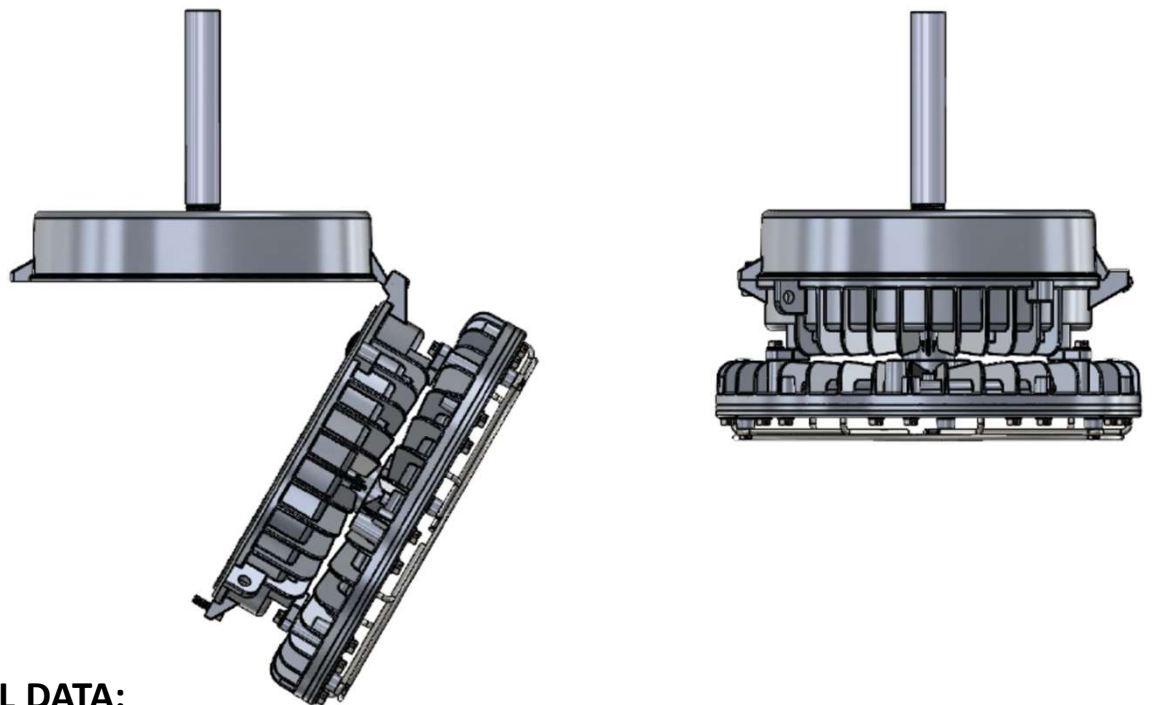
availinfra.com/rig-a-lite/

Rev. 1

INSTALLATION DATA SHEET

Wiring:

1. Before installing, make sure that the circuit is deactivated.
2. This unit is furnished completely assembled. Before installing, check the luminaire label to ensure correct voltage and frequency.
3. The LED driver in this luminaire is designed to operate in grounded neutral systems only.
4. Place the new IALJ housing into the mounting cover by lining up the hinge.
5. Must use listed fittings rated for the hazardous area and the environmental ratings intended, and having the same hazardous area and environmental ratings as marked on the luminaire. Minimum IP66.
6. Terminal Block for power leads are clearly marked. Connect the ground wire first. Then Select the correct voltage leads as determined by the supply voltage to the luminaire and install the incoming black and white leads to the respective terminal block slot.
7. For luminaires using dimming circuit: The dimming wiring must have insulation rated for the maximum voltage that exists in the luminaire. Separate Entries must be used for field installed branch circuit and dimming wiring circuit.
8. Swing the housing closed and Re-tighten the housing screw. Close any un-used hubs with plugs or devices rated for the hazardous area and the environmental ratings intended, and having the same hazardous area and environmental ratings as marked on the luminaire. Plugs must engage at least three full threads.
9. Physically inspect the outside of the luminaire.
10. Turn the power on.



OPERATIONAL DATA:

1. Operate this luminaire at its rated voltage. See the luminaire label for data.



8500 Hansen Rd.
Houston, TX 77075 USA
IALJINST

Tel: 713-943-0340

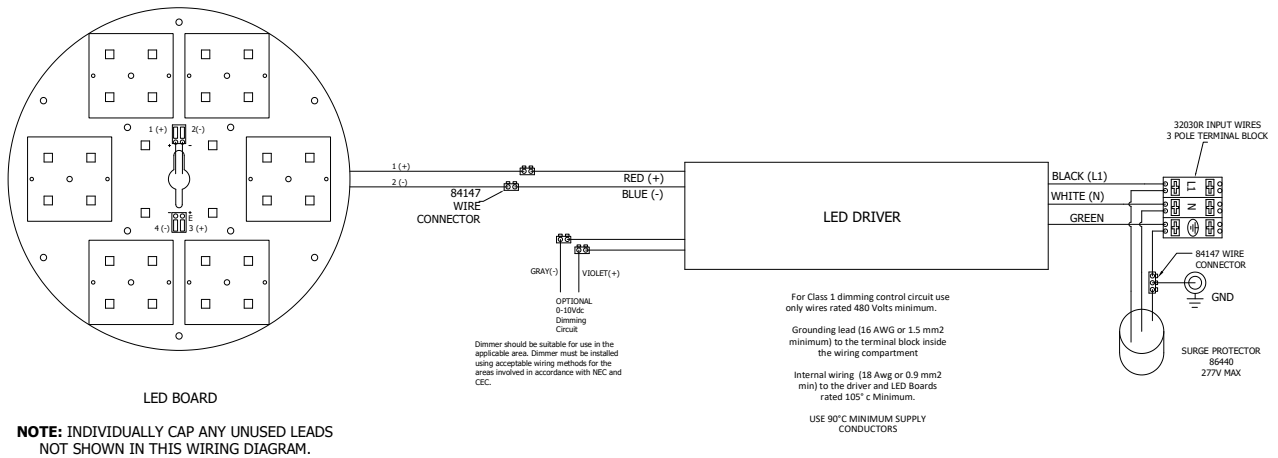
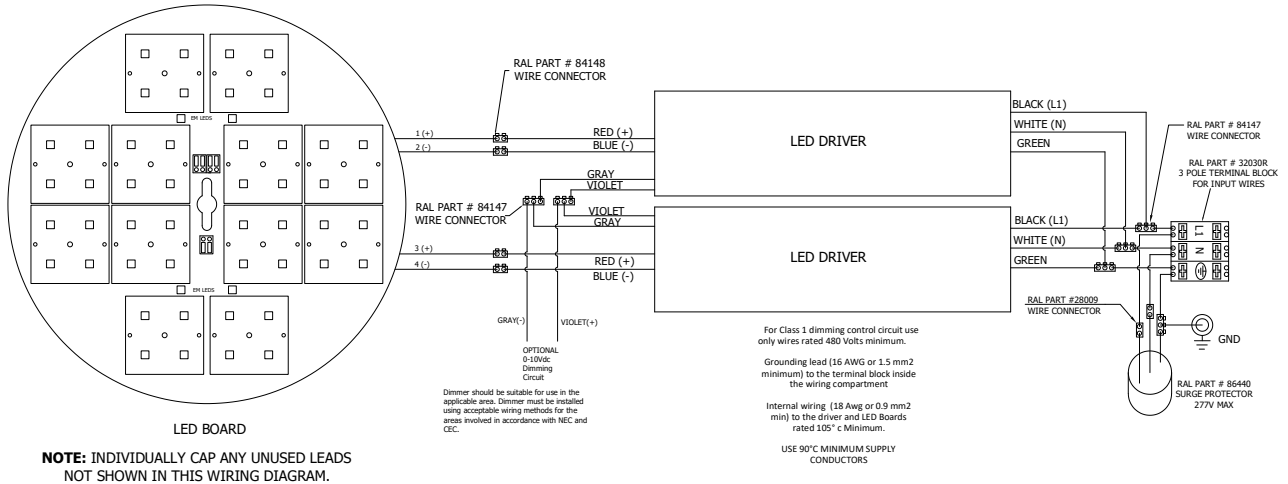
Oct 2022

availinfra.com/rig-a-lite/

Rev. 1

INSTALLATION DATA SHEET

WIRING DIAGRAMS



8500 Hansen Rd.
Houston, TX 77075 USA
IALJINST

Tel: 713-943-0340

Oct 2022

availinfra.com/rig-a-lite/

Rev. 1

INSTALLATION DATA SHEET

MAINTENANCE DATA

1. Although no routine maintenance is required to keep this luminaire functional, it should be checked periodically to ensure it is working properly, and to look for any external damage
2. For optimum performance, keep the light transmission portion of the luminaire clean.
3. To clean, wipe the lens with a clean, soft, damp cloth. A mild soap may be used as needed. Do not use strong abrasive cleaners.
4. Visually check for undue heating evidenced by discoloration of wires and other components, damaged parts or leakage of water or corrosion in the interior.
5. Replace all worn, damaged or malfunctioning components.
6. Check that all mechanical components are properly assembled and secure.
7. Make sure all electrical connections are safe and secure.
8. Clean and inspect all gaskets before putting the luminaire back in service.
9. If this product is used in a combustible dust area, clean the outside on a regular basis to prevent excessive accumulation of dust.
10. An optional stainless steel wire guard can be installed on the luminaire to protect the lens. Refer to Rig-A-Lite's website or contact your nearest Rig-A-Lite distributor for information.

REPAIRS / OVERHAUL / MODIFICATION

The relevant national regulations which apply to the maintenance / servicing of electrical apparatus in hazardous atmospheres shall be observed. Modifications to the device or changes of it's design are prohibited. The equipment must be operated according to the intended purpose in a perfect and undamaged condition.

TECHNICAL DATA*

Rated Input Voltage: 120-277V 50/60HZ
347-480VAC 60 HZ; 100 – 250V DC
Operating Temperature -40°C to +70°C
Rated Input Power: 25W to 100W
Housing Material: Die Cast Aluminum
Storage Temp. -40°C to 85°C
* See the luminaire label for data.

Dimensions: See Dimensional Diagrams
Protection Glass: Clear or frosted Tempered Glass;
Polycarbonate
Conduit entries: up to (5) ¾ in or 1 in NPT hubs,
or (1) 1.25 in or 1.5 in NPT
Weight: up to 20 lbs (9 kgs).



8500 Hansen Rd.
Houston, TX 77075 USA
IALJINST

Tel: 713-943-0340

Oct 2022

availinfra.com/rig-a-lite/

Rev. 1