

INSTALLATION DATA SHEET

IALJ SERIES

EMERGENCY LED LUMINAIRE FITTINGS FOR USE IN ORDINARY, DAMP OR WET
LOCATIONS

Class II, Div. 1, Groups E, F and G, Class III
Suitable for Marine Outside Type (Salt Water)

IMPORTANT SAFEGUARDS:

When using electrical equipment, basic safety precautions should always be followed including the following:

READ AND FOLLOW ALL SAFETY INSTRUCTIONS

1. Do not mount near gas or electric heaters.
2. Equipment should be mounted in locations and at heights where it will not readily be subjected to tampering by unauthorized personnel.
3. The use of accessory equipment not recommended by the manufacturer may cause unsafe conditions.
4. Do not use this equipment for other than its intended use.

SAVE THESE INSTRUCTIONS



INSTALLATION DATA SHEET

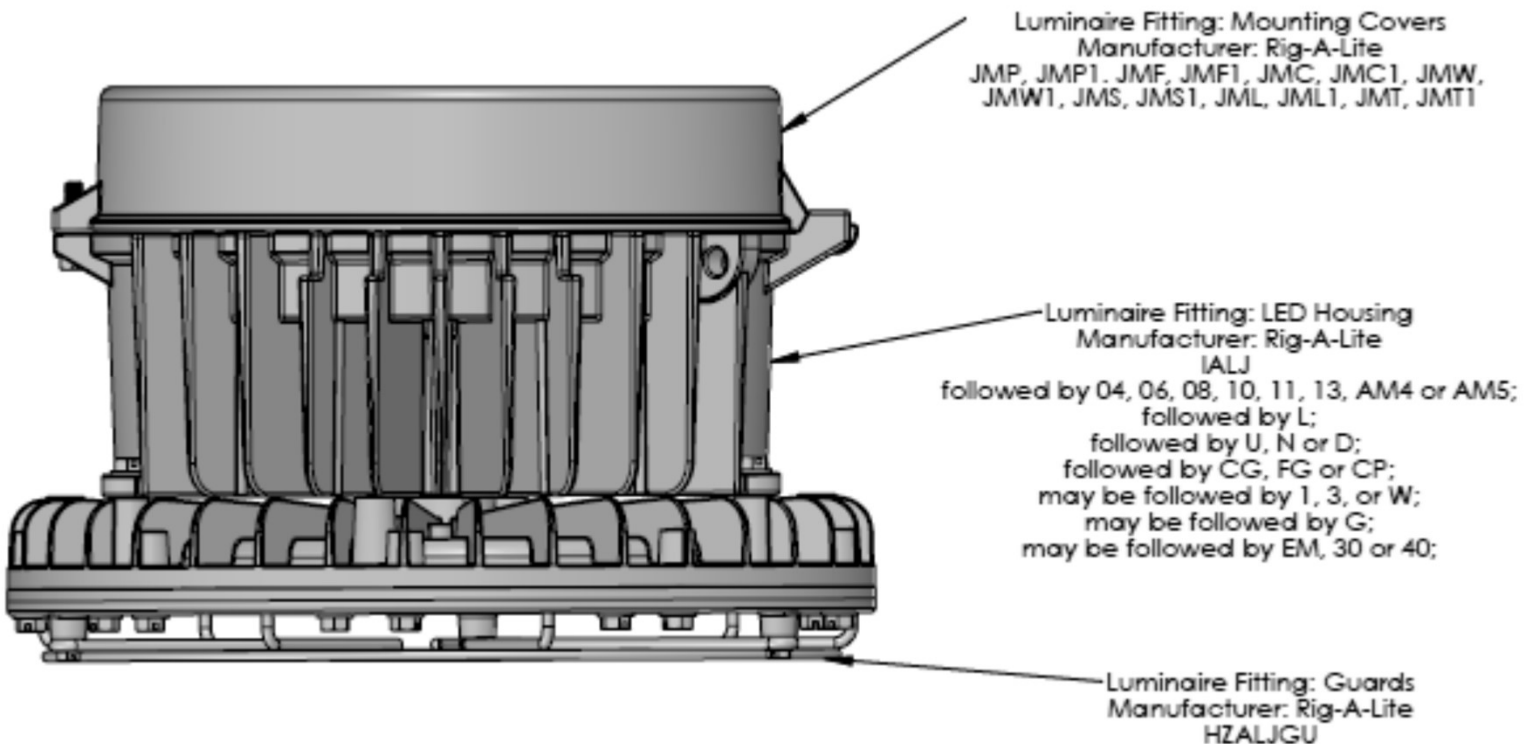
IALJ SERIES

EMERGENCY LED LUMINAIRE FITTINGS FOR USE IN ORDINARY, DAMP OR WET LOCATIONS

Class II, Div. 1, Groups E, F and G, Class III
Suitable for Marine Outside Type (Salt Water)

WARNING!

- These luminaires should be installed by qualified technicians using suitable wiring methods in strict accordance with the NEC, CEC and any other local requirements.
- To prevent risk of electrical shock, deactivate/ disconnect power supply before opening. Keep tightly closed when in operation.
- DO NOT SEPARATE WHEN ENERGIZED.
- DO NOT OPEN WHEN ENERGIZED.



8500 Hansen Rd.
Houston, TX 77075 USA
IALJEMINST

Tel: 713-943-0340

Oct 2022

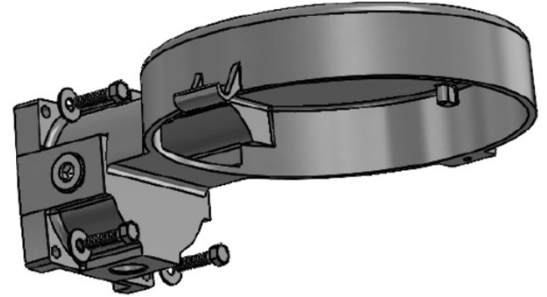
availinfra.com/rig-a-lite/

Rev. 1

INSTALLATION DATA SHEET

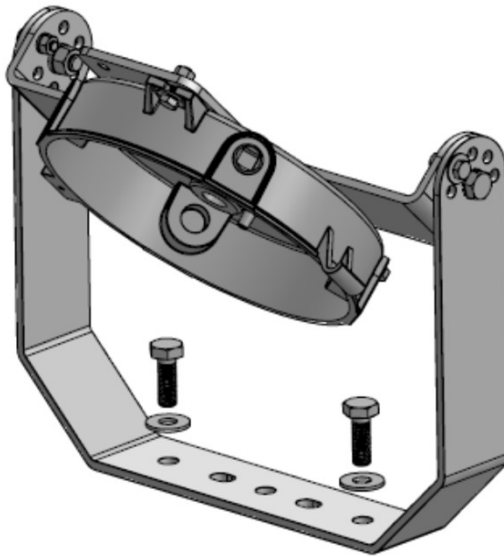
INSTALLATION:

1. The luminaire should be installed per 46CFR111.75-15 "Lighting Requirements" and 46CFR112 "Emergency Lighting and Power Systems" for all marine applications.
2. These luminaires are equipped with ¾ in or 1 in NPT hubs (Ceiling, Pendant, Wall or Trunnion) or 1.25 in or 1.5 in hubs (Stanchion mounts) for incoming power leads.
3. Secure the luminaire top mount to desired mounting surface using proper techniques for the selected mount.



Ceiling Mount

Wall Mount



Trunnion Mount

For ceiling or wall mount only



Pendant Mount

Stanchion Mount
(25° and 90°)



8500 Hansen Rd.
Houston, TX 77075 USA
IALJEMINST

Tel: 713-943-0340

Oct 2022

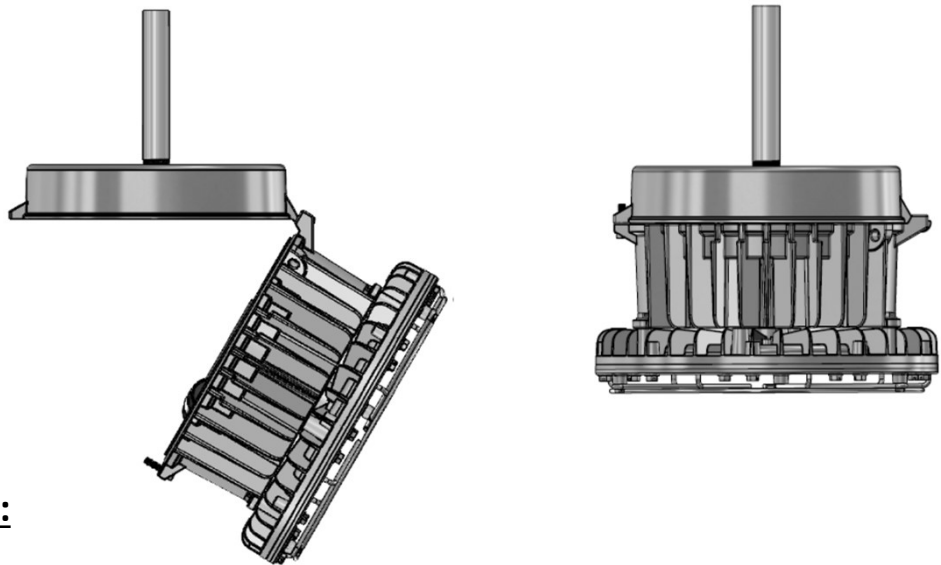
availinfra.com/rig-a-lite/

Rev. 1

INSTALLATION DATA SHEET

Wiring:

1. Before installing, make sure that the circuit is deactivated.
2. This unit is furnished completely assembled. Before installing, check the luminaire label to ensure correct voltage and frequency.
3. The LED driver in this luminaire is designed to operate in grounded neutral systems only.
4. Place the new IALJ housing into the mounting cover by lining up the hinge.
5. Must use listed fittings rated for the hazardous area and the environmental ratings intended, and having the same hazardous area and environmental ratings as marked on the luminaire. Minimum IP66.
6. Terminal Block for power leads are clearly marked. There are four connections. Refer to Wiring Diagrams for details. Connect the ground wire first. Then Select the correct voltage leads as determined by the supply voltage to the luminaire and install the incoming white lead to the respective connection point. Connect the incoming switched power lead to the switched white/red wire from the terminal block. The switch must have the same ratings as the luminaire. The uninterrupted black wire must have continuous incoming power to keep charging the battery while the luminaire is switched off. Remote Test Switch should be connected to this wire.
7. For luminaires using dimming circuit: The dimming wiring must have insulation rated for the maximum voltage that exists in the luminaire. Separate Entries must be used for field installed branch circuit and dimming wiring circuit.
8. After all connections are made, and prior to applying power, connect the battery connector together. This will allow the battery to discharge during a loss of supply power. The fixture will be in the emergency mode until power is applied.
9. Swing the housing closed and Re-tighten the housing screw. Close any un-used hubs with plugs or devices rated for the hazardous area and the environmental ratings intended, and having the same hazardous area and environmental ratings as marked on the luminaire. Plugs must engage at least three full threads.
10. Physically inspect the outside of the fixture.
11. Turn the power on. A minimum 24 hour charge time is required to operate as emergency lighting equipment.



OPERATIONAL DATA:

1. Operate this luminaire at its rated voltage. See the luminaire label for data.



8500 Hansen Rd.
Houston, TX 77075 USA
IALJEMINST

Tel: 713-943-0340

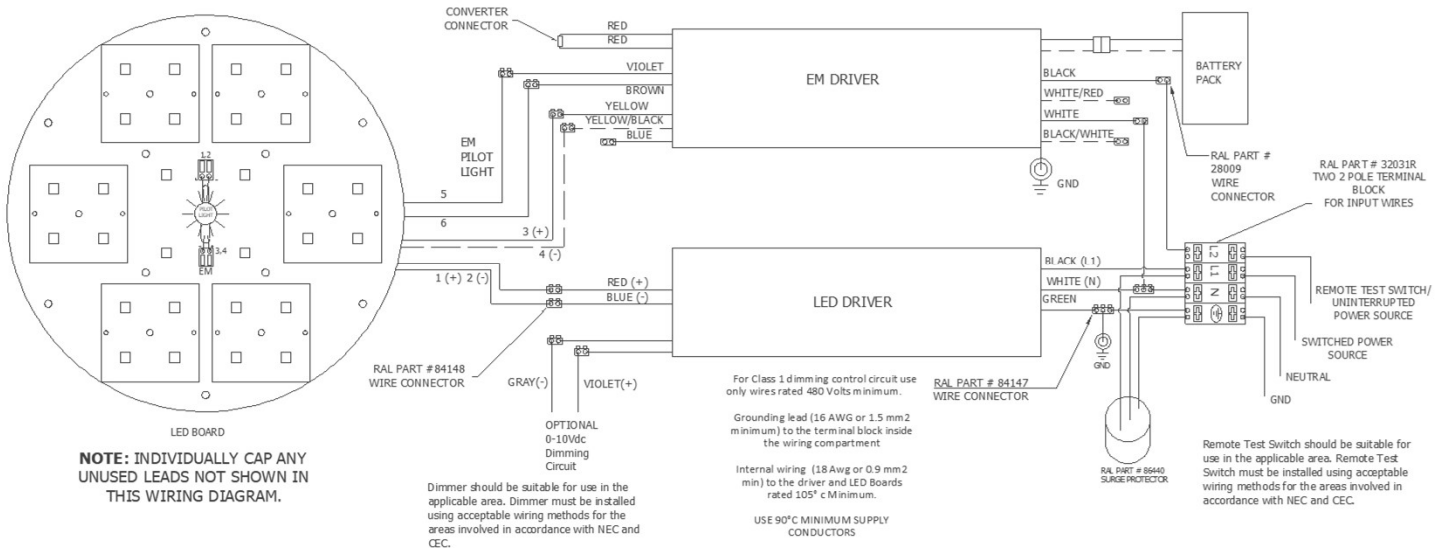
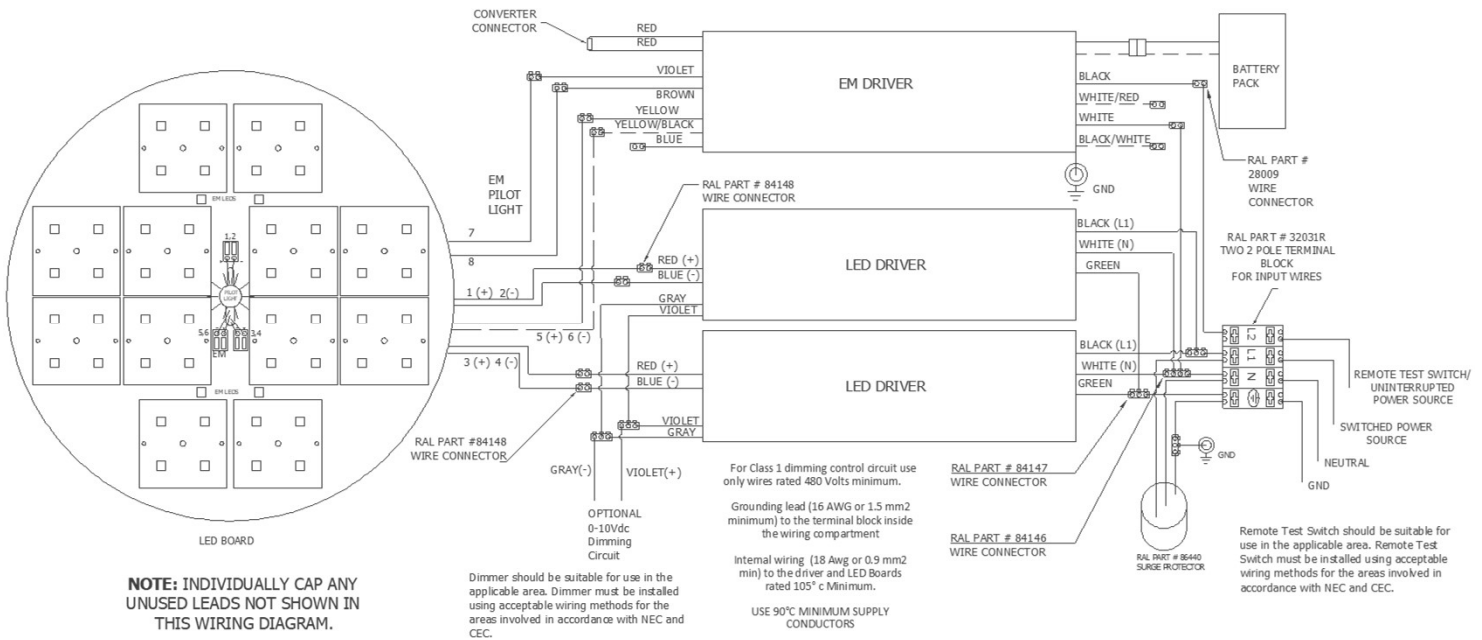
Oct 2022

availinfra.com/rig-a-lite/

Rev. 1

INSTALLATION DATA SHEET

WIRING DIAGRAMS



8500 Hansen Rd.
Houston, TX 77075 USA
IALJEMINST

Tel: 713-943-0340

Oct 2022

availinfra.com/rig-a-lite/

Rev. 1

INSTALLATION DATA SHEET

REMOTE TEST SWITCH PROVISIONS FOR EMERGENCY BATTERY TEST

This luminaire has provision to install a remote mounted test switch for the battery. The switch shall comply with the following:

1. Switch shall be certified for the area where it is to be installed (ordinary, damp or wet locations).
2. Switch shall be installed using acceptable wiring methods for the areas involved in accordance with the NEC and or CEC.
3. Switch shall be connected to the emergency luminaire circuit such that when depressed it provides a transfer function and disconnects and isolates the normal input from the emergency input.
4. Switch shall be identified as to its function (i.e. – marked “Emergency Luminaire Test switch”).
5. Switch shall have electrical ratings suitable for the emergency luminaires.
6. Switch shall be manually operated type.
7. Switch shall be of :
 - a. Momentary-contact type, or
 - b. Maintained-break type that opens all ungrounded conductors and be accessible only to authorized persons.



INSTALLATION DATA SHEET

MAINTENANCE DATA

1. Although no routine maintenance is required to keep this luminaire functional, it should be checked periodically to ensure it is working properly, and to look for any external damage
2. For optimum performance, keep the light transmission portion of the luminaire clean.
3. To clean, wipe the lens with a clean, soft, damp cloth. A mild soap may be used as needed. Do not use strong abrasive cleaners.
4. Visually check for undue heating evidenced by discoloration of wires and other components, damaged parts or leakage of water or corrosion in the interior.
5. Replace all worn, damaged or malfunctioning components.
6. Check that all mechanical components are properly assembled and secure.
7. Make sure all electrical connections are safe and secure.
8. Clean and inspect all gaskets before putting the luminaire back in service.
9. If this product is used in a combustible dust area, clean the outside on a regular basis to prevent excessive accumulation of dust.
10. An optional stainless steel wire guard can be installed on the luminaire to protect the luminaire.
Refer to Rig-A-Lite's website or contact your nearest Rig-A-Lite distributor for information.

REPAIRS / OVERHAUL / MODIFICATION

The relevant national regulations which apply to the maintenance / servicing of electrical apparatus in hazardous atmospheres shall be observed. Modifications to the device or changes of its design are prohibited. The equipment must be operated according to the intended purpose in a perfect and undamaged condition.

TECHNICAL DATA*

Rated Input Voltage: 120-277V 50/60HZ

Operating Temperature -40°C to +70°C

Rated Input Power: 25W to 100W

Housing Material: Die Cast Aluminum

Storage Temp. -40°C to 85°C

* See the luminaire label for data.

Dimensions: See Dimensional Diagrams

Protection Glass: Clear or frosted Tempered Glass;
Polycarbonate

Conduit entries: up to (5) ¾ in or 1 in NPT hubs,
or (1) 1.25 in or 1.5 in NPT

Weight: up to 20 lbs (9 kgs).



8500 Hansen Rd.
Houston, TX 77075 USA
IALJEMINST

Tel: 713-943-0340

Oct 2022

availinfra.com/rig-a-lite/

Rev. 1