

INSTALLATION DATA SHEET

HNMF2 LED SERIES

LED LUMINAIRE FOR USE IN HAZARDOUS LOCATIONS

Class I, Division 2, Groups A, B, C & D

- **CAUTION:** To reduce the risk of ignition of hazardous atmospheres, disconnect the luminaire from the power supply circuit before opening. Keep tightly closed when in operation.

These luminaires should be installed by qualified technicians using suitable hazardous location wiring methods in strict accordance with the National Electrical Code, NFPA 70 and any local requirements.

- **WARNING:** Explosion Hazard. Do not service equipment unless power has been switched off or the area is known to be non-hazardous. Substitution of the components may impair suitability for Class I, Division 2. Exposure to some chemicals may degrade the sealing properties of materials used in the Following devices: LED Driver XI095C275V054DNF1.
- **ATTENTION:** Pour réduire le risqué de inflammation des atmospheres dangereuses, déconnecter le luminaire du circuit d'alimentation avant l'ouverture. Conserver hermétiquement ferme lorsqu'il est en fonctionnement.
- **AVERTISSEMENT:** Risqué d'explosion – Couper le courant ou s'assurer que l'emplacement est désigné non dangereux. La substitution de composants peut rendre ce matériel inacceptable pour les emplacements de Classe I, Division 2. L'exposition a certains produits chimiques peut dégrader les propriétés d'étanchéité de matériaux utilisés dans les dispositifs suivants: LED Driver XI095C275V054DNF1.



RIG-A-LITE™

8500 Hansen Rd.
Houston, TX 77075 USA
HNMF2IDS

Tel: 713-943-0340

Oct 2022

availinfra.com/rig-a-lite/

Rev. 2

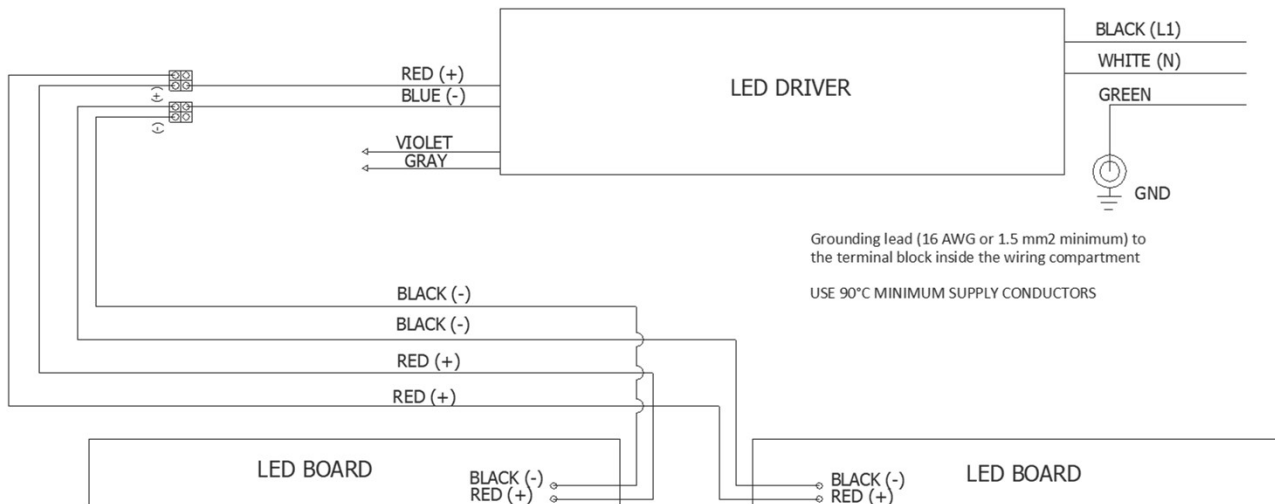
INSTALLATION DATA SHEET

INSTALLATION:

1. This unit is furnished completely assembled. Before installing, check the luminaire label to ensure correct voltage and frequency.
2. The LED driver in this luminaire is designed to operate in grounded neutral systems only.
3. Install the luminaire using the provided brackets. (Mounting hardware supplied by others)
4. Remove the lens and LED reflector assembly.
5. For supply connections, use conductors suitable for minimum 90°C .
6. Connect internal wires per wiring diagram on the LED driver, and according to NEC requirements.
7. Reassemble the LED reflector assembly and lens.

MAINTENANCE DATA:

1. Although no routine maintenance is required to keep this luminaire functional, it should be checked periodically to ensure it is working properly, and to look for any external damage
2. For optimum performance, keep the light transmission portion of the luminaire clean.



8500 Hansen Rd.
Houston, TX 77075 USA
HNMF2IDS

Tel: 713-943-0340

Oct 2022

availinfra.com/rig-a-lite/

Rev. 2