

INSTALLATION DATA SHEET

HLEX LED EMERGENCY SERIES

EMERGENCY LED LIGHTING EQUIPMENT FOR USE IN HAZARDOUS LOCATIONS

Class I, Division 2, Groups A, B, C & D, Class II, Division 2, Groups F & G, Class III

IMPORTANT SAFEGUARDS

When using electrical equipment, basic safety precautions should always be followed including the following:

DANGER - Do not install or service unless area is known to be nonhazardous. This Exit Sign has more than one power supply connection.

WARNING - Electrical Power must be turned off before and during installation and maintenance.

READ AND FOLLOW ALL SAFETY INSTRUCTIONS

1. This fixture should be installed in strict accordance with the National Electrical Code and any local requirements.
2. This fixture should be mounted in locations and at heights where it will not readily be subjected to tampering by unauthorized personnel.
3. To prevent ignition of hazardous atmospheres, disconnect fixture from the supply circuit before opening. Keep tightly closed when in operation. When AC power is disconnected, the battery power will be live.
4. To reduce risk of fire or explosion, do not install where the marked operating temperature exceeds the ignition temperature of the hazardous atmosphere(s).
5. Do not mount near gas or electric heaters.
6. Do not let power supply cords touch hot surfaces.
7. Do not attempt to service the battery inside this fixture. This fixture incorporates a sealed, no maintenance battery that is not field replaceable. Contact Rig-A-Lite for information on factory replacements.
8. The use of accessory equipment not recommended by the manufacturer may cause an unsafe condition.
9. Do not use this equipment for other than intended use.
10. **Installation and servicing of this fixture should be performed by qualified personnel.**

SAVE THESE INSTRUCTIONS



8500 Hansen Rd.
Houston, TX 77075 USA
HLEXIDS

Tel: 713-943-0340

Oct 2022

availinfra.com/rig-a-lite/

Rev. 2

INSTALLATION DATA SHEET

INSTALLATION:

Note: Before installing this luminaire, make sure that the necessary branch circuit wiring is available. The power supply in this luminaire requires an unswitched source of power; therefore, the connection must be made ahead of any local switching.

These fixtures are provided with ½" NPT hubs.

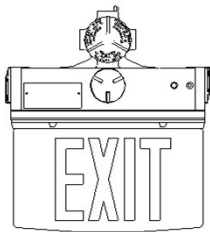
Pendant Mount

1. Loosen the set screw provided in the top hub.
2. Attach conduit to the top hub, making sure that at least five full threads are engaged and conduit is tight as per the requirements of the NEC.
3. Tighten set screw.
4. Remove junction box cover and pull supply wires into junction box. Attach Black lead for 120V or Orange lead for 277V, White lead for Neutral and Green lead for Ground. Replace junction box cover.

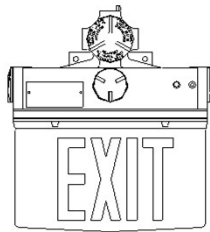
Surface Mount

1. Install Mount Plates to the back of the luminaire by means of two each ¼-20 Flat Head screw provided. Flat Head screw must be securely fastened. Install the luminaire to the wall by means of the mount plates using 5/16 in. Bolts (not provided).
2. Attach conduit to any of the three ¾" NPT hubs on the fixture, making sure that at least five full threads are engaged and conduit is tight as per the requirements of the NEC.
3. Remove junction box cover (Screw cap) and pull supply wires into terminal block. Attach Black lead for 120V through 277V 50/60 Hz, White lead for Neutral and Green lead for Ground. Replace junction box cover.

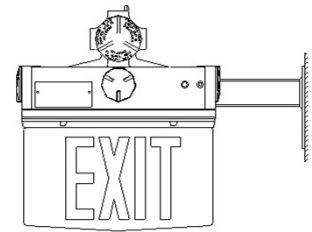
TYPICAL INSTALLATIONS



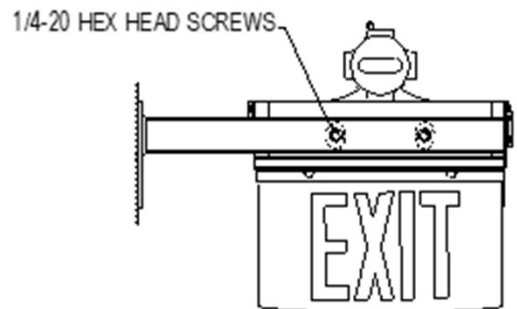
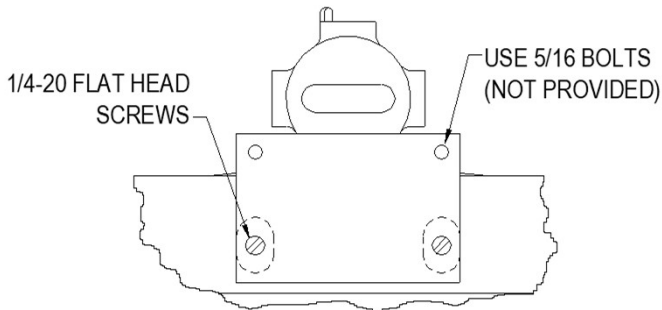
PENDANT MOUNT



WALL MOUNT



END BRACKET MOUNT



INSTALLATION DATA SHEET

End Bracket Mount

1. Install End Bracket to wall using four 5/16 in. Bolts (not provided). Install fixture to the End Bracket using two each ¼-20 Hex Head screws, lock washers and flat washer provided.
2. Attach conduit to hub on the fixture, making sure that at least five full threads are engaged and conduit is tight as per the requirements of the NEC.
3. Remove junction box cover and pull supply wires into junction box. Attach Black lead for 120V or Orange lead for 277V, White lead for Neutral and Green lead for Ground. Replace junction box cover.

OPERATIONAL DATA:

1. Operate this luminaire at its rated voltage. See the luminaire label for data.
2. When the AC power is applied, the charge indicator lights are illuminated, indicating that the batteries are being charged.
3. When the power fails, the LED board within this luminaire are switched to battery power, operating the Emergency LED modules at reduced illumination for at least 180 minutes.

MAINTENANCE DATA:

All maintenance procedures are to be performed only when the atmosphere surrounding the luminaire is non-hazardous. The emergency drivers have battery disconnects that must be connected while in service and disconnected while working with the wiring.

1. Although no routine maintenance is required to keep this luminaire functional, it should be checked periodically to ensure it is working properly, and to look for any external damage. The following schedule is recommended:
 - a. Visually inspect the charging indicator lights monthly. They should be illuminated.
 - b. Test the emergency operation of the luminaire once every 3 months.
 - c. Conduct a 180 minute discharge test once a year. The Emergency LED modules on the EXIT sign should operate for at least 180 minutes.
2. Replace batteries only with B310011 battery pack.
3. This fixture contains sealed Ni-Cad batteries. Used Ni-Cad batteries may not be disposed of in the municipal solid waste stream. Ni-Cad batteries must be recycled or disposed of properly.
4. For optimum performance, keep the light transmission portions of the luminaire clean.

REPLACEMENT PARTS:

Refer to Rig-A-Lite's website or contact your nearest Rig-A-Lite distributor for information.



INSTALLATION DATA SHEET

FIELD INSTALLED DIRECTIONAL INDICATORS (CHEVRONS):

1. Directional Indicators (chevrons) are supplied with the sign. The chevrons are supplied with an alignment template, chevrons (qty 2 or 4) and a tool for field installation. The appropriate chevron will be supplied based on the ordered configuration.
2. Prior to installation of the chevrons, make sure the sign is clean with no dust particles in the application area. To install the chevron(s) on a single face sign, temporarily adhere the alignment template's tacky surface to the back (printed) side of the Legend panel – *Figure 1*.
3. Remove the adhesive backing from the chevron(s) and adhere to the panel in the location determined by the template - *Figure 2*.
4. The white backing of the legend should correspond with the white backing of the chevron. Lay the tool provided on its side and perpendicular to the chevron – *Figure 4*.
5. Apply even pressure and push any air bubbles to the edge of the chevron starting from the middle to the top.
6. Repeat this process for the bottom half also.
7. For signs which consist of two panels (**doubleface**) use the alignment template (*Figure 1*) to determine the location of the chevron(s) - *Figure 3*. Use the tool provided to remove any air bubbles - *Figure 4*.

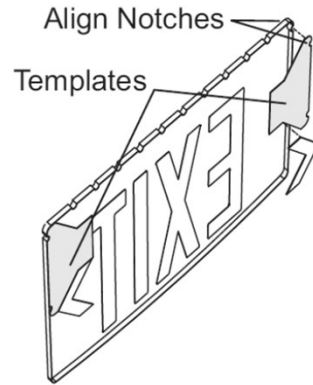


Figure 1

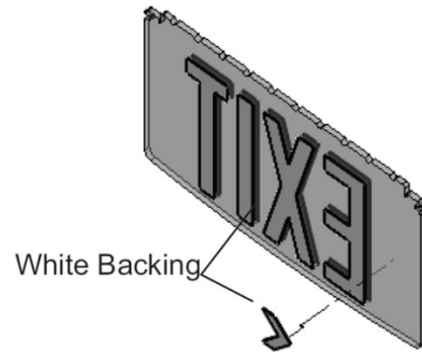


Figure 2

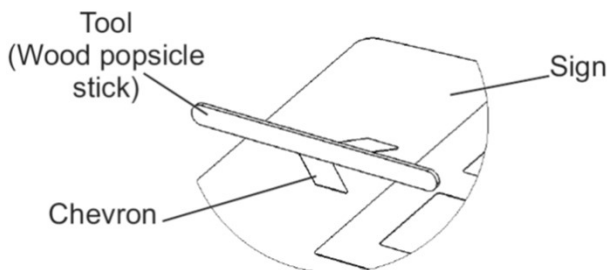


Figure 4

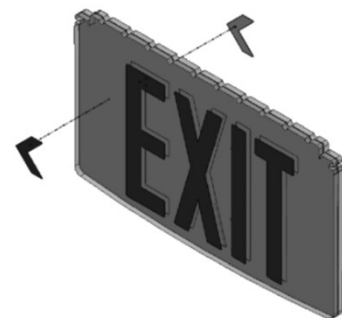


Figure 3



INSTALLATION DATA SHEET

For fixtures with SD option only:

SELF-TESTING / SELF DIAGNOSTIC OPERATING INSTRUCTIONS

This unit meets the requirements of NFPA 101 for Periodic Testing of Emergency Lighting Equipment. It provides visual indication of unit malfunctions including:

- Battery Fault
- Charger Fault
- Transfer Fault
- Lamp Fault

SELF-TEST

The unit will perform a self-test and diagnostic function at least once every 30 days. The self-test will disable the charger and turn on the LEDs for 5 minutes to check the lamp load and battery. The test will be performed only if the battery is fully charged. If not, the test will automatically reschedule. The charger function is monitored continuously.

USER-TEST

A User-Test may be performed at any time the status display is continuous green. On initial power-up, it could take up to 72 hours for the status display to reach continuous green. With a fully charged battery, pressing the test switch momentarily will initiate a 30 second test. Pressing the test switch continuously for 4 seconds and releasing it will initiate a 90 minute test. Either test can be cancelled by pressing the test switch again for 1 second.

STATUS INDICATIONS

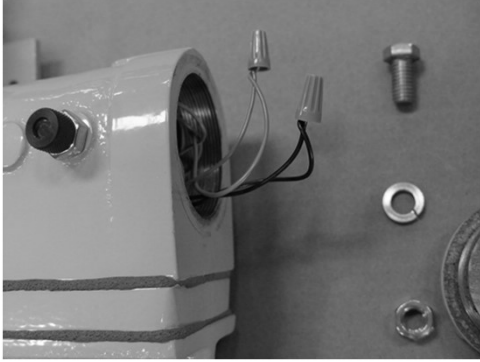
| STATUS DISPLAY | FUNCTION | ACTION |
|--------------------------------|-----------------------------------|--|
| Continuous Green | Battery in Float/Trickle Charge | None |
| Continuous Red | Battery High Charging | Wait for Green Status |
| Flashing Green | In Test Mode | Wait for Test to Complete |
| Alternate Red and Green | Insufficient Charge for User Test | Wait for Full Charge |
| Red One Blink ON / Pause | Transfer System Failure | Factory Service |
| Red Two Blinks ON / Pause | Battery Failure | Check Connections Replace Battery |
| Red Three Blinks ON / Pause | Charger Failure | Factory Service |
| Red Four Blinks ON / Pause | Lamp Failure | Check Remote Connection / Factory Service |



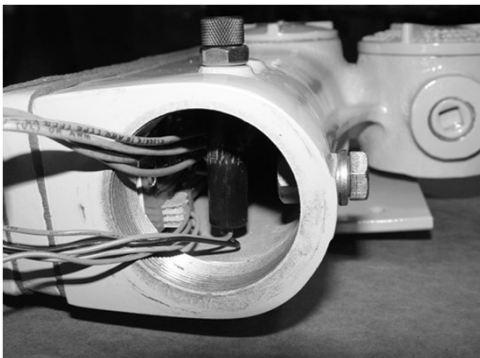
INSTALLATION DATA SHEET

BATTERY REPLACEMENT

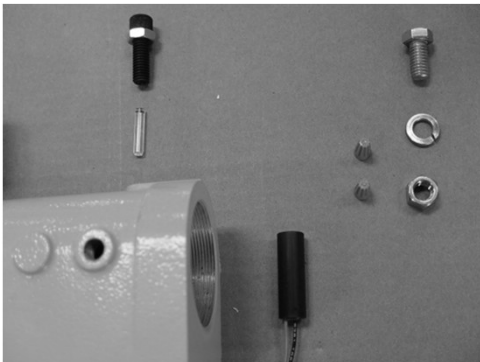
1. Turn off electrical power.
2. Remove the end caps located on each side of the fixture.



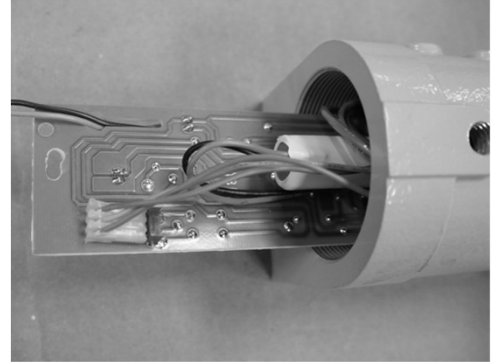
3. Pull the wires out on the side of the housing.
4. Remove the two wire nuts connecting the LED.
5. Remove the two nuts, bolts and washers located on top of either end of the housing.



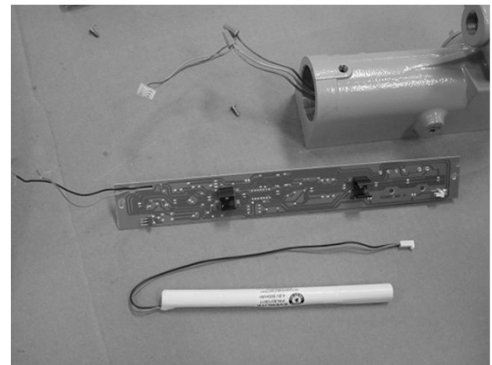
6. Remove the red LED indicator assembly from the housing.



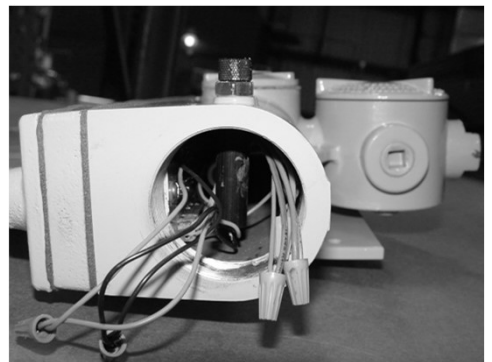
7. Protect the glass rod from damage.
8. Remove the screws holding the LED circuit board to the housing by inserting a screwdriver through the bolt holes.
9. Partially slide out the circuit boards from the right side of the ballast housing.



10. Remove the wire connector by sliding the connector out of the circuit board.



11. Remove the circuit board from the housing.
12. Remove the battery unit's wire connector from the circuit board.



13. Replace the battery and reverse the order to install.

RIG-A-LITE™

8500 Hansen Rd.
Houston, TX 77075 USA
HLEXIDS

Tel: 713-943-0340

Oct 2022

availinfra.com/rig-a-lite/

Rev. 2