

INSTALLATION DATA SHEET

CML SERIES

LUMINAIRE FOR USE IN ORDINARY LOCATIONS

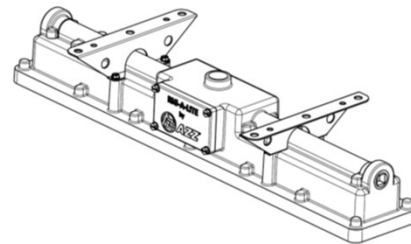
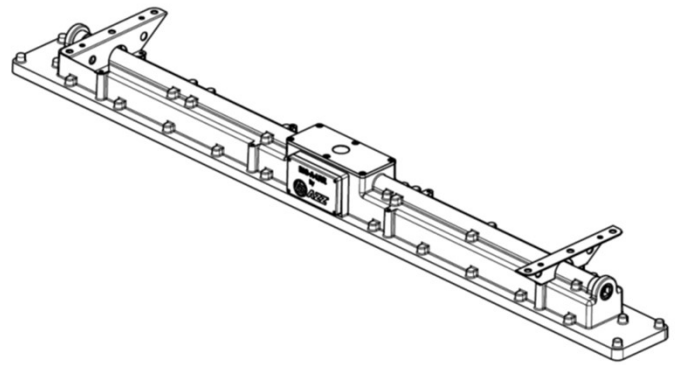
Suitable for Marine Outside Type (Saltwater)

WARNING!

- These luminaires should be installed by qualified technicians using suitable hazardous location wiring methods in strict accordance with the National Electrical Code, NFPA 70 and any local requirements.
- To prevent risk of electrical shock, deactivate/ disconnect power supply before opening. Keep tightly closed when in operation.

INSTALLATION: Mounting:

1. The luminaire should be installed per USCG-46CFR, subchapter J, parts 100-113 for all marine applications.
2. This luminaire is equipped with 3/4 NPT hubs to be wired in accordance with Article 501 of the NEC, NFPA 70. Plug unused openings with plugs provided. The conduit hubs must not be removed in the field.
3. Secure the luminaire mounting brackets to desired mounting surface, using (4) 1/4", 5/16" or 3/8" bolts (not provided), with a minimum head size of 7/16".
4. If using the adjustable mounting brackets, set the desired position of the adjustable bracket, prior to mounting. Adjustable bracket may not exceed aiming angle of 90° from vertical.



8500 Hansen Rd.
Houston, TX 77075 USA
CMLIDS

Tel: 713-943-0340

Oct 2022

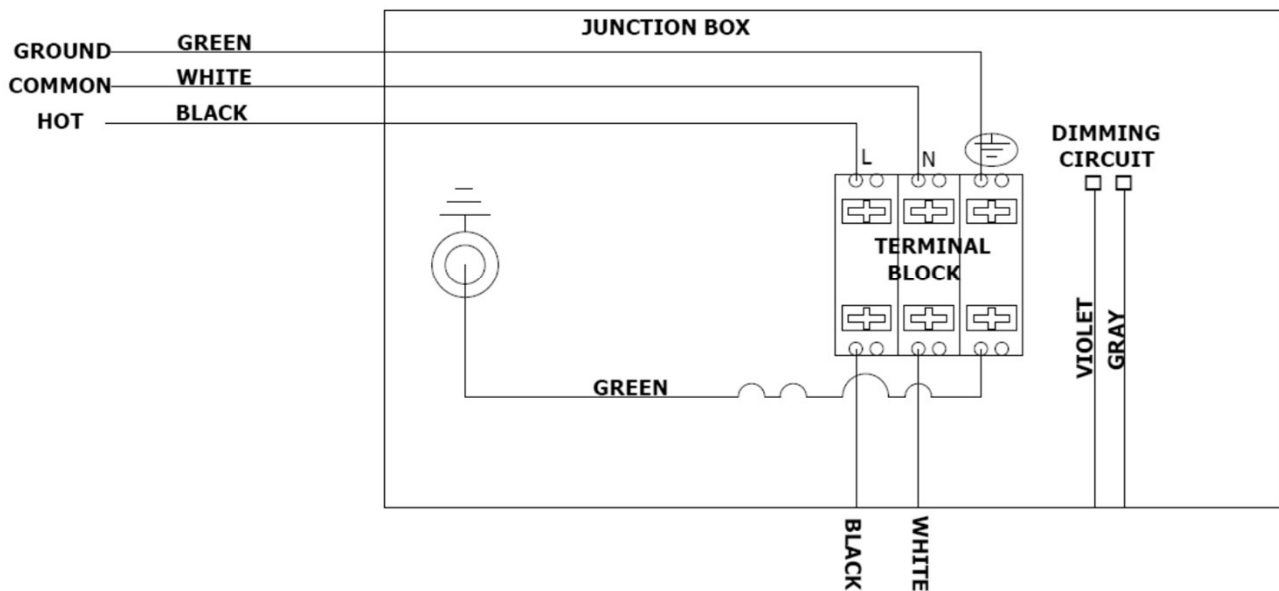
availinfra.com/rig-a-lite/

Rev. 1

INSTALLATION DATA SHEET

Wiring:

1. Before installing, make sure that the circuit is deactivated.
2. This unit is furnished completely assembled. Before installing, check the luminaire label to ensure correct voltage and frequency. Operate this luminaire at its rated voltage. See the luminaire label for data.
3. The LED driver in this luminaire is designed to operate on grounded neutral systems only.
4. Open the wiring access cover by loosening the four (4) #10 captive screws.
5. Terminal Block for power leads are clearly marked. Connect the ground wire first. Then select the correct voltage leads as determined by the supply voltage to the luminaire and install the incoming black and white leads to the respective terminal block slot. The unit is factory wired for continuous incoming power. **Use minimum 18 AWG for incoming power supply.** The maximum number of thru feed conductors is 4, of #12 AWG.
6. In lieu of a terminal block, the unit may be provided with fuse holders. Wire directly to the unused screw of the fuse holder(s). Wire L1 to the black wire fuse holder, and L2 or Neutral to the white wire fuse holder.
7. Making sure the gasket is seated in the groove, re-install the wiring access cover and tighten the screws.
8. Close any un-used hubs with plugs provided.
9. Energize unit, and inspect for proper operation.



MAINTENANCE DATA:

1. Although no routine maintenance is required to keep this luminaire functional, it should be checked periodically to ensure it is working properly, and to look for any external damage.
2. For optimum performance, keep the light transmission portion of the luminaire clean.
3. Fuse replacement: The fuse holder(s) and fuse(s) are located on the inside of the front wiring access cover. Replace only with fuse having the same voltage and current rating as the existing fuse. Fuse is for supplementary protection only.
4. The lens cover is not to be opened in the field.



8500 Hansen Rd.
Houston, TX 77075 USA
CMLIDS

Tel: 713-943-0340

Oct 2022

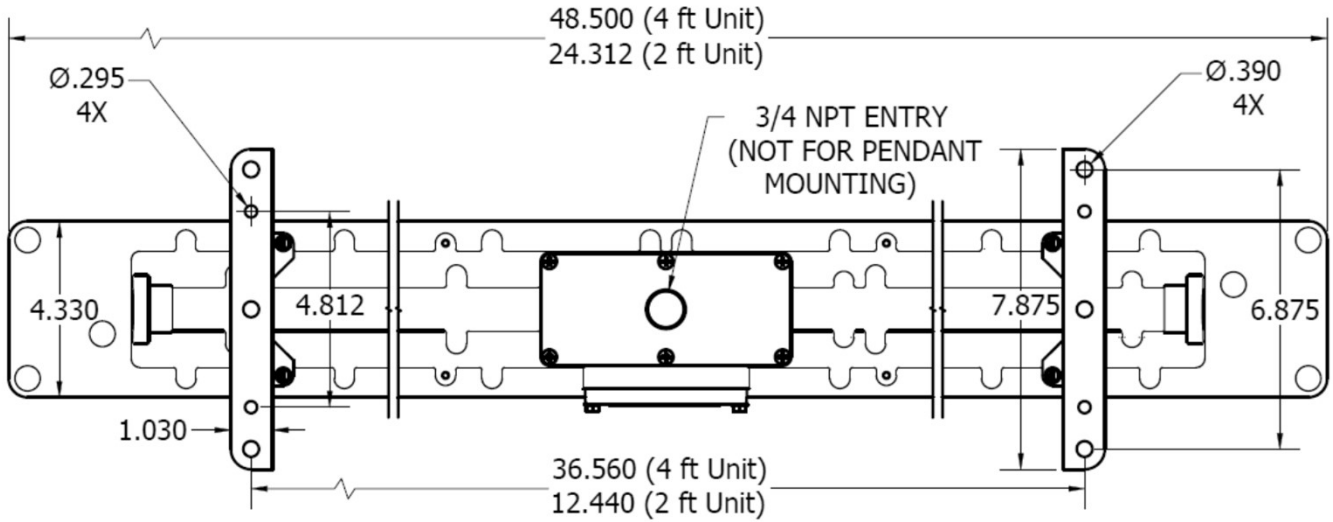
availinfra.com/rig-a-lite/

Rev. 1

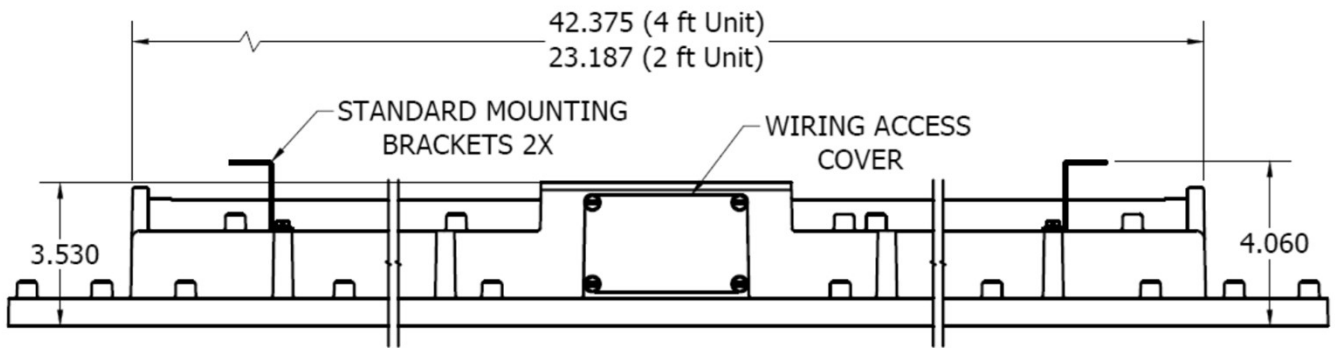
INSTALLATION DATA SHEET

DIMENSIONAL DATA

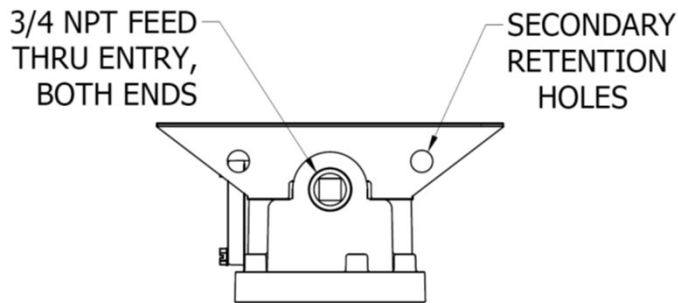
TOP VIEW



SIDE VIEW



END VIEW



8500 Hansen Rd.
Houston, TX 77075 USA
CMLIDS

Tel: 713-943-0340

Oct 2022

availinfra.com/rig-a-lite/

Rev. 1