

# INSTALLATION DATA SHEET

## AVP SERIES

INCANDESCENT AND FLUORESCENT LUMINAIRE FOR USE IN WET LOCATIONS  
Suitable for Marine Outside Type (Saltwater)

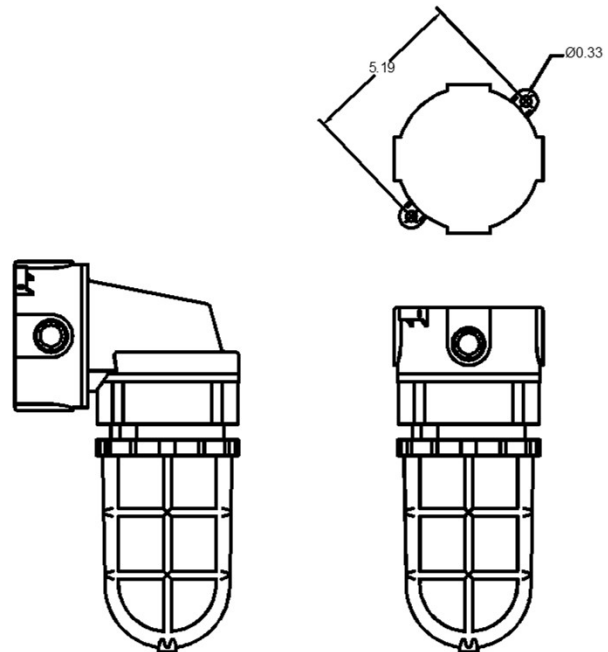
### WARNING!

- These luminaires should be installed by qualified technicians using suitable hazardous location wiring methods in strict accordance with the National Electrical Code, NFPA 70 and any local requirements.
- To prevent risk of electrical shock, deactivate/ disconnect power supply before opening. Keep tightly closed when in operation.

### MOUNTING:

#### Ceiling/Wall:

1. Disassemble the junction box from the luminaire by loosening the four (4) 10-24 x 1.00" screws from the mount.
2. Attach the junction box to the mounting surface by using the two (2) mounting ears located on the junction box.
3. This junction box is equipped with  $\frac{3}{4}$  in NPT hubs for incoming power leads through conduit.
4. Attach conduit to the junction box as required and pull incoming wires into the box.
5. Refer to wiring section for wiring instructions.
6. Re-install luminaire on the junction box, tighten the screws to insure proper seal.
7. Close any un-used hubs with plugs rated for Marine Outside Saltwater applications.



8500 Hansen Rd.  
Houston, TX 77075 USA  
AVPIDS

Tel: 713-943-0340

Oct 2022

[availinfra.com/rig-a-lite/](http://availinfra.com/rig-a-lite/)

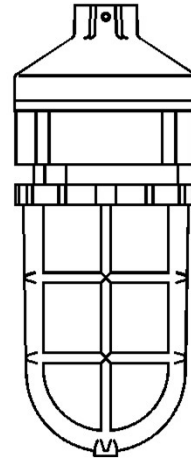
Rev. 1

# INSTALLATION DATA SHEET

## MOUNTING:

### Pendant:

1. Disassemble the pendant mount from the luminaire by loosening the four (4) 10-24 x 1.00" screws from the mount.
2. Attach the pendant mount into the conduit, sealing around the conduit using NEC approved procedures.
3. Tighten with a wrench, then tighten the set screw..
4. Refer to wiring section for wiring instructions.
5. Re-install luminaire into mount, tighten the screws to insure proper seal.



## WIRING:

1. Before installing, make sure that the circuit is deactivated.
2. This unit is furnished completely assembled. Before installing, check the luminaire label to ensure correct voltage and frequency.
3. The luminaire is designed to operate on grounded neutral systems only.
4. Power leads are clearly marked. Connect the ground wire first. Then install the incoming black and white leads to their respective lead.

## OPERATIONAL DATA:

1. Operate this luminaire at its rated voltage. See the luminaire label for data.

## LAMP INSTALLATION:

For incandescent lamps use 100W A-21 Max with Standard Globe, 150W A-21 Max with Heat Resistant Globe and 75W A-21 Max with Polycarbonate Globe.

For fluorescent lamps, use only lamps designated on the label (13W, 18W, 26W or 32W).

## MAINTENANCE DATA:

1. Although no routine maintenance is required to keep this luminaire functional, it should be checked periodically to ensure it is working properly, and to look for any external damage
2. For optimum performance, keep the light transmission portion of the luminaire clean.



8500 Hansen Rd.  
Houston, TX 77075 USA  
AVPIDS

Tel: 713-943-0340

Oct 2022

[availinfra.com/rig-a-lite/](http://availinfra.com/rig-a-lite/)

Rev. 1