

# INSTALLATION DATA SHEET

# ALIJ SERIES

## MARINE LUMINAIRE MISCELLANEOUS TYPE

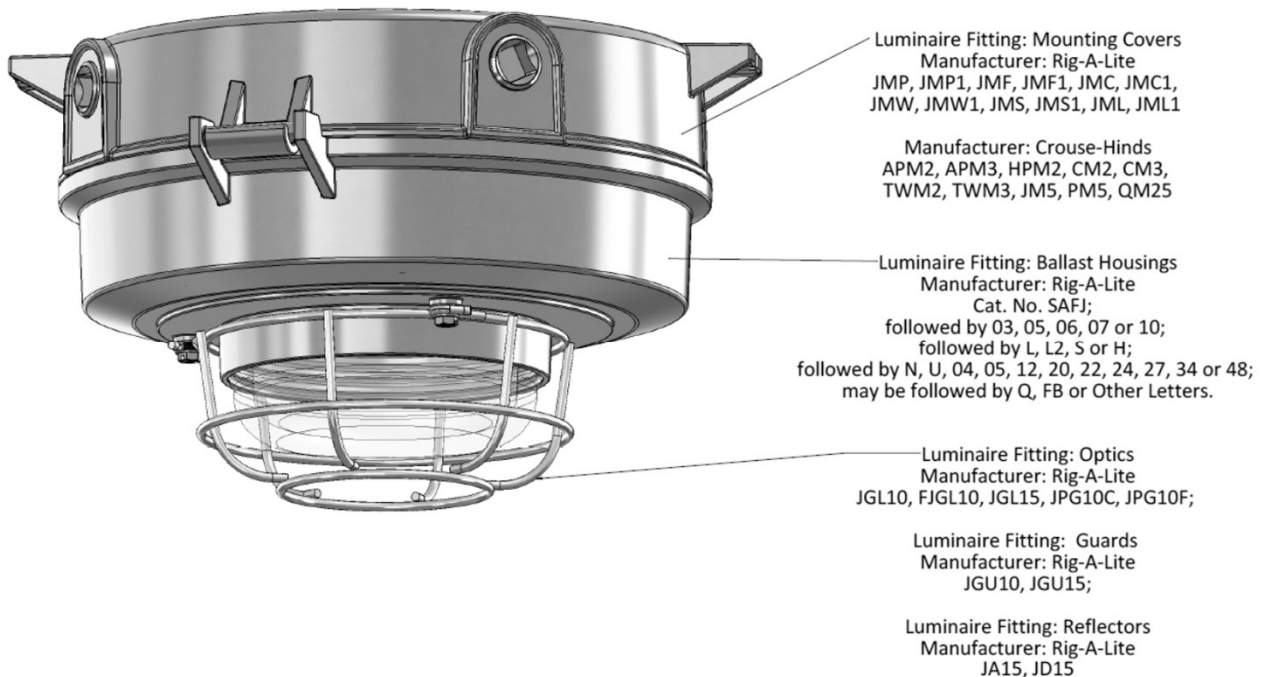
### WARNING!

#### READ AND FOLLOW ALL SAFETY INSTRUCTIONS BEFORE INSTALLING THE LUMINAIRE HOUSING AND COMPLETE LUMINAIRE

The complete luminaire should be installed in strict accordance with the National Electrical Code and any local requirements.

1. To prevent the ignition of hazardous atmospheres, disconnect the luminaire from the supply circuit before opening. Keep tightly closed when in operation.
2. Do not use this equipment for other than intended use.
3. Installation and servicing of this luminaire should be performed by qualified personnel.

### SAVE THESE INSTRUCTIONS



8500 Hansen Rd.  
Houston, TX 77075 USA  
ALIJ IDS

Tel: 713-943-0340

Oct 2022

[availinfra.com/rig-a-lite/](http://availinfra.com/rig-a-lite/)

Rev. 1

# INSTALLATION DATA SHEET

## INSTALLATION:

1. Turn off the power to the luminaire.
2. Remove the screw holding the mounting cover and old housing together.
3. Swing the old housing down.
4. Remove the incoming supply wires from the terminal block or remove the wire nuts (may be located in the mounting cover or luminaire housing). Also remove the ground lead from the old housing.
5. Unhook the hinge of the old housing from the mounting top.
6. Place the new ALIJ housing into the mounting cover by lining up the hinge.
7. Wire the new housing with the incoming supply wires by using wire nuts or the terminal block.
8. Secure the ALIJ housing ground lead, the mounting cover grounding lead and the supply grounding lead using methods that comply with all applicable codes such as listed connectors appropriate for the size and number of wires. If a connector is provided with the leads, they can be cut and lead stripped for use with other listed connectors.
9. Swing close the ALIJ housing and tighten the screw.
10. Physically inspect the outside.
11. Turn the power on.

