

CML LED

Non-metallic heavy duty LED
lighting for marine applications

 **RIG-A-LITE™**
An Avail Infrastructure Solutions Company



Classifications

- UL 1598A Marine Outside Type
- UL 1598 Wet Locations
- UL 8750 LED Safety
- UL 924 Emergency Lighting
- -40°C to 65°C Ambient Temperature
- NEMA 4X
- ABS Type Approved
- IP66
- Tested to LM 79 & LM 80

availinfra.com/rig-a-lite

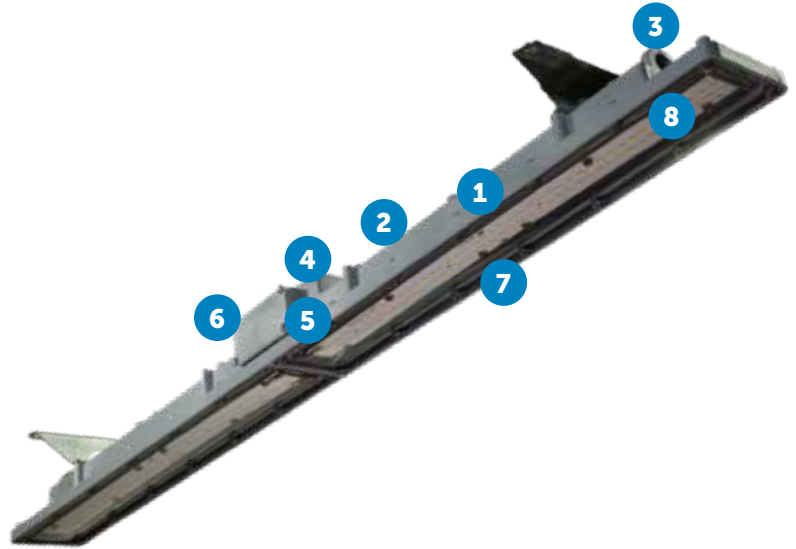
8500 Hansen Road,
Houston, TX 77075
(713) 943-0340

CML LED

Non-metallic heavy duty LED lighting for marine applications

Key Features

- 1 Low-profile, lightweight design
- 2 Heavy-duty, 1/8" thick body
- 3 3/4" NPT entries
- 4 Three cable entry points
- 5 Toolless, cage-clamp terminal block
- 6 Captive junction box cover and hardware
- 7 Field replaceable LED circuit boards and drivers
- 8 Impact resistant polycarbonate lens



Additional Features

- Standard 10kV surge protection
- Feed-through capable
- Various mounting options
- Emergency battery back-up
- Dimmable driver
- Diffused lens option
- 5-year warranty

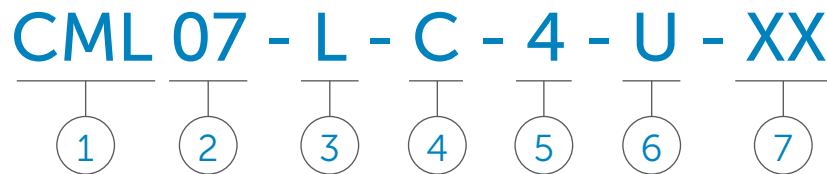
Standard Materials

- Body:**
Fiberglass Reinforced Polycarbonate
- Gaskets:**
One-Piece Silicone
- Lens:**
Polycarbonate
- Hardware:**
Stainless Steel
- Mounting Brackets:**
Stainless Steel

CML LED

Non-metallic heavy duty LED lighting for marine applications

Catalog Number Logic



1
BASIC SERIES
CML = Marine Outside Type

2
LAMP WATTAGE
07 = 80 Watt (4 foot)
04 = 40 Watt (2 foot)

3
LAMP TYPE
L = LED (4000K CCT)

4
LENS
C = Clear
D = Diffused

5
NOMINAL FIXTURE LENGTH
2 = 2 Foot
4 = 4 Foot

6
VOLTAGE/FREQUENCY
U = 120 - 277V 50/60HZ
N = 347/480V 60HZ (4 ft. only)

7
OPTIONS
SMK = Shock Mounting Brackets
WMB = Wall Mounting Brackets
ADJ = Adjustable Ceiling/Wall Brackets
SC = Safety Cable
HA = High Ambient 65°C Rated
(4 ft. Model Only)¹
EM = Emergency Battery Backup¹
(Reduced Lumens, Rated 45°C)
30 = 3000K CCT
35 = 3500K CCT
50 = 5000K CCT
HL = High Lumen 50°C Rated¹

¹Not available in 347/480V, type HA or HL options

Catalog logic is for explaining catalog number structure only. Not all combinations are possible; consult factory for catalog numbers not listed in charts.

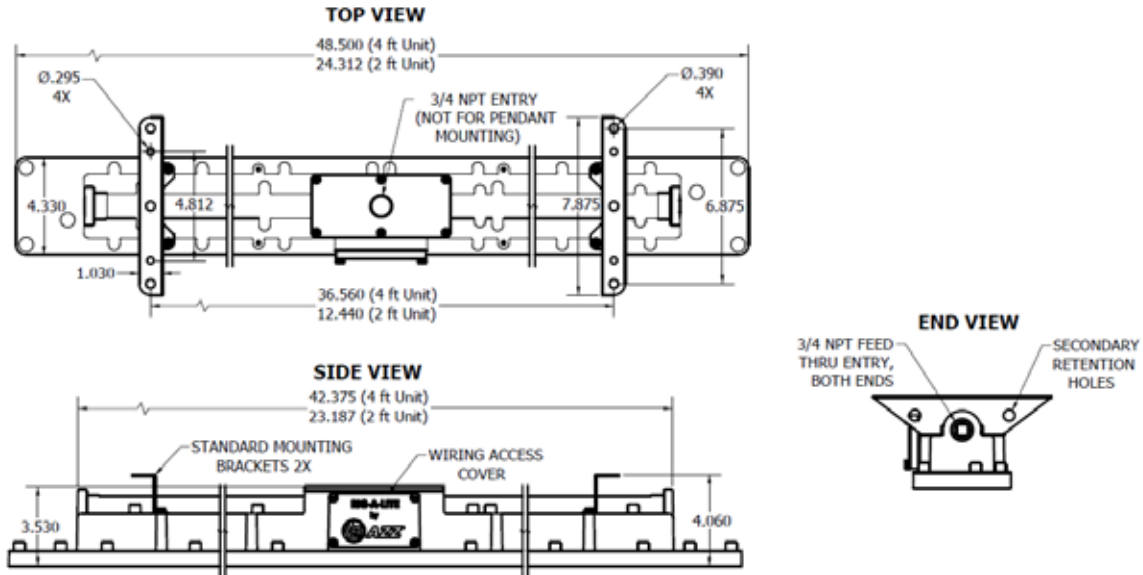
Certification Guide

Model	Length	Wattage	Operating Voltage	Total Lumens	Lumen per Watt	CRI	CCT	Ambient Temperature	Supply Wire Suitable Temp., °C
CML04LC2U	2 ft	25W	120V - 277V 50/60 Hz,	3726	130.3	84	4125	-40°C < Tamb < 55°C	90°C
CML04LC2U-EM	2 ft	20W		2080	130	84	4128	0°C < Tamb < 45°C	
CML04LC2U-HL	2 ft	32W		4130	130	84	4133	-40°C < Tamb < 50°C	
CML07LC4U	4 ft	54W		7286	134.5	85	4127	-40°C < Tamb < 55°C	
CML07LC4U-EM	4 ft	41W		4906	119.7	85	4115	0°C < Tamb < 45°C	
CML07LC4U-HL	4 ft	61W		8154	133.3	84	4135	-40°C < Tamb < 50°C	
CML07LC4U-HA	4 ft	41W		4906	119.7	85	4115	-40°C < Tamb < 65°C	
CML07LC4N	4 ft	54W	347V-480V 50/60 Hz	7286	134.5	85	4127	-40°C < Tamb < 50°C	

CML LED

Non-metallic heavy duty LED lighting for marine applications

Fixture Dimensions (inches)



CML Series	Dimensions (inches)	Boxed Weight	Shipping Volume
	A		
4 ft. models	48.00	18 lbs.	1.47 cu. ft.
2 ft. models	24.00	10 lbs.	.76 cu. ft.

Accessories

Shock Mounting Brackets

Catalog Number:
53120

Shipping Weight:
2 lbs.



Adjustable Ceiling/Wall Brackets

Catalog Number:
53121

Shipping Weight:
2 lbs.



Wall Mounting Brackets

Catalog Number:
53122

Shipping Weight:
3 lbs.



Safety Cable

Catalog Number:
10128R

Shipping Weight:
1 lb.

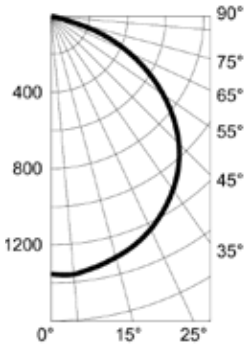


CML LED

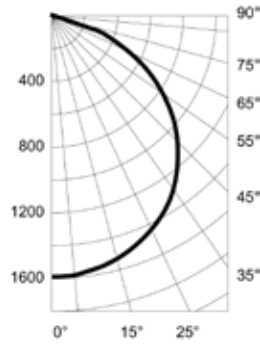
Non-metallic heavy duty LED lighting for marine applications

Photometric Data

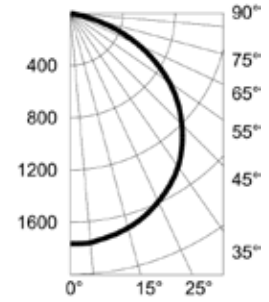
CML04LC4U



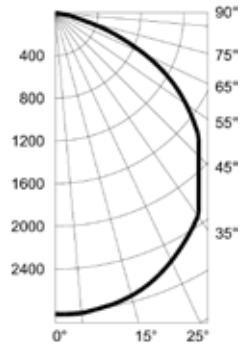
CML04LC2U-HL



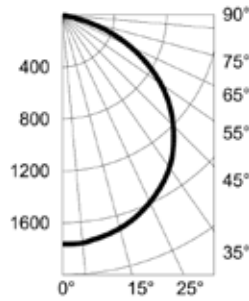
CML07LC4U



CML07LC4U-HA



CML07LC4U-HL



An Avail Infrastructure Solutions Company

availinfra.com/rig-a-lite

8500 Hansen Road,
Houston, TX 77075
(713) 943-0340