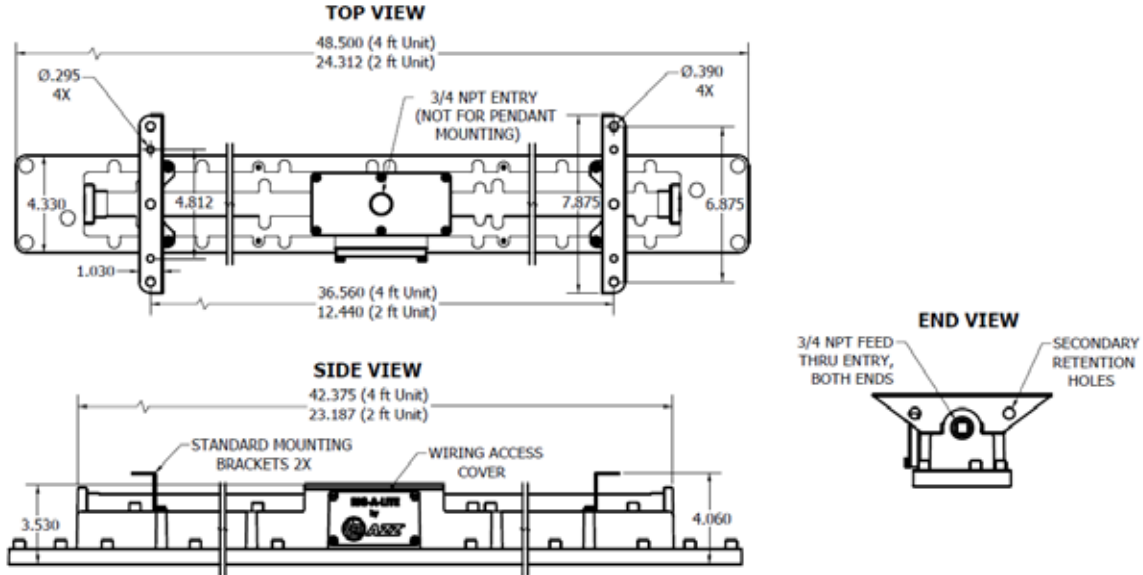


# CML LED

Non-metallic heavy duty LED lighting for marine applications

## Fixture Dimensions (inches)



CML Series	Dimensions (inches)	Boxed Weight	Shipping Volume
	A		
4 ft. models	48.00	18 lbs.	1.47 cu. ft.
2 ft. models	24.00	10 lbs.	.76 cu. ft.

## Accessories

### Shock Mounting Brackets

Catalog Number:  
53120

Shipping Weight:  
2 lbs.



### Adjustable Ceiling/Wall Brackets

Catalog Number:  
53121

Shipping Weight:  
2 lbs.



### Wall Mounting Brackets

Catalog Number:  
53122

Shipping Weight:  
3 lbs.



### Safety Cable

Catalog Number:  
10128R

Shipping Weight:  
1 lb.

