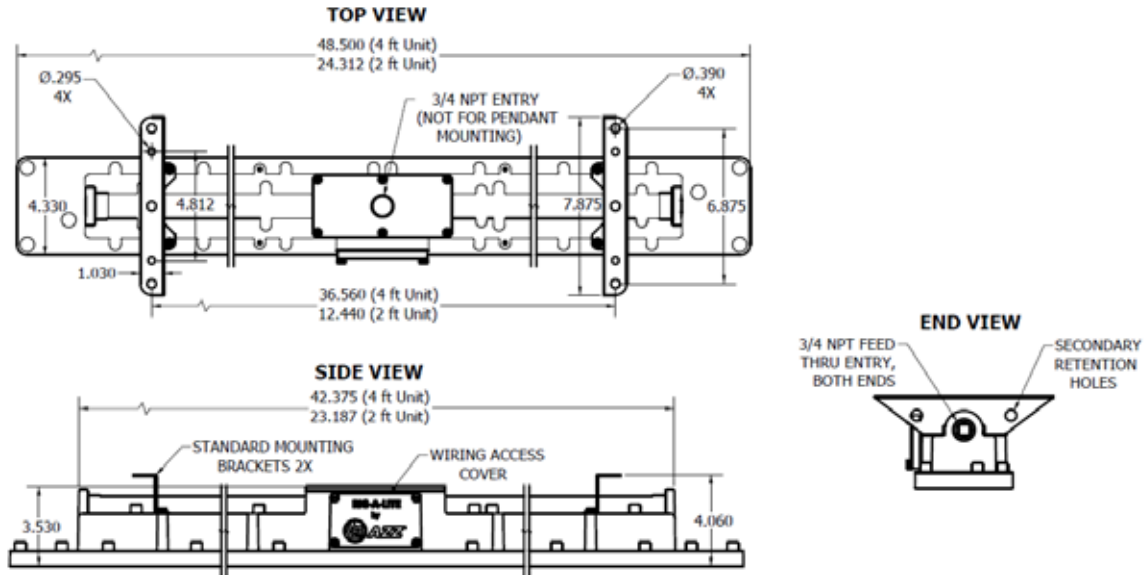


CHL LED

Non-metallic heavy duty LED lighting for hazardous locations

Fixture Dimensions (inches)



CHL Series	Dimensions (inches)	Boxed Weight	Shipping Volume
	A		
4 ft. models	48.00	18 lbs.	1.47 cu. ft.
2 ft. models	24.00	10 lbs.	.76 cu. ft.

Accessories

Shock Mounting Brackets

Catalog Number:
53120

Shipping Weight:
2 lbs.



Adjustable Ceiling/Wall Brackets

Catalog Number:
53121

Shipping Weight:
2 lbs.



Wall Mounting Brackets

Catalog Number:
53122

Shipping Weight:
3 lbs.



Safety Cable

Catalog Number:
10128R

Shipping Weight:
1 lb.

