

LHFL FLOODLIGHT / HIGHBAY

L
H
F
L

L
E
D

LED Floodlight / High-bay for Hazardous Locations

- Class I, Division 2, Groups A, B, C & D
- Class II, Divisions 1 & 2, Groups E, F & G
- Class III
- Class I, Zone 2, Groups IIA, IIB & IIC
- Zone 22
- UL 1598A Marine Outside Type
- UL 1598 Wet Locations
- UL 8750 LED Safety
- UL 844 Hazardous Locations
- -40°C to 65°C Ambient Temperature
- CAN/CSA C22.2 No. 250.0-08
- CAN/CSA C22.2 No. 137-M1981
- NEMA 4X
- ABS Type Approved
- IP66
- DLC Listed
- Tested to LM79, LM80
- Factory Sealed
- **IECEX**

Ex ec IIC T5 Gc

-40°C ≤ Ta ≤ 65°C, IP66

Ex ec nA nC IIC T5 Gc

-40°C ≤ Ta ≤ 65°C, IP66

Ex tc IIIC T100°C Dc

-40°C ≤ Ta ≤ 55°C, IP66

Certificate: IECEX ETL 20.0058X

- **ATEX**

CE  II 3 G D

II 3 G Ex ec IIC T5 Gc

-40°C ≤ Ta ≤ 65°C, IP66

II 3 G Ex ec nA nC IIC T5 Gc

-40°C ≤ Ta ≤ 65°C, IP66

II 3 D Ex tc IIIC T100°C Dc

-40°C ≤ Tamb ≤ 55°C, IP66

Certificate: ITS-I21ATEX28908X



RIG-A-LITE PRODUCTS

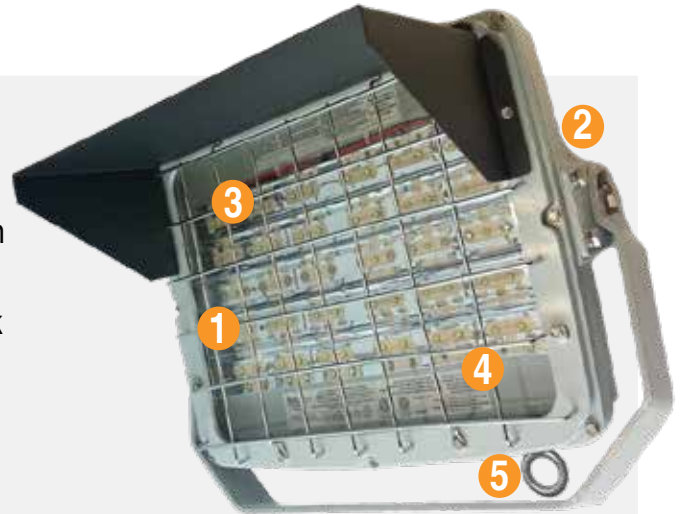
713.943.0340 | azz.com/rigalite

LHFL FLOODLIGHT/HIGH-BAY

LED Floodlight/High-bay for Hazardous Locations

Key Features:

- 1 High-performance precision optics system
- 2 Driver access plate features stainless steel safety retention chain and captive hardware
- 3 Field replaceable LED circuit boards and drivers with quick disconnects
- 4 Approved for high-ambient applications, up to 65° C
- 5 Two (2) permanent safety cable retention points



Additional Features:

- Versatile trunnion-mount, with 180° range of motion
- Dual hub entries, feed-through capable
- Optional polycarbonate lens
- Terminal block
- Standard 10kV surge protection
- 5-year warranty

Standard Materials:

- Body: A360 aluminum (less than .4% copper content) with baked-on gray epoxy finish
- Gaskets: Silicone
- Lens: Tempered Glass
- Hardware: Stainless Steel

LED
LHFL Floodlight/High-bay

LED Floodlight/High-bay for Hazardous Locations

Catalog Number Logic

LHFL-20-L-U-TP-76-XX

1

2

3

4

5

6

7

1

BASIC LUMINAIRE

LHFL = N. American Standards
EXLHFL = IEC, ATEX Standards

2

LUMENS / WATTS

07 = 8,059 Lumens / 64 Watts
09 = 10,476 Lumens / 76 Watts
12 = 12,919 Lumens / 98 Watts
13 = 14,121 Lumens / 119 Watts
15 = 15,359 Lumens / 132 Watts
17 = 16,420 Lumens / 127 Watts
20 = 20,239 Lumens / 164 Watts
23 = 23,684 Lumens / 173 Watts
27 = 25,940 Lumens / 194 Watts

3

LAMP TYPE

L = LED (5,000K CCT)

4

VOLTAGE/FREQUENCY

U = 120 - 277V 50/60 HZ, 127 - 250 VDC
N = 347/480V 60 HZ
12 = 120V 60 HZ¹
22 = 220V 50 HZ¹
24 = 240V 60 HZ¹
27 = 277V 60 HZ¹
34 = 347V 60 HZ¹
48 = 480V 60 HZ¹

5

MOUNTING

TP = Universal Mount (Trunnion/Pendant)

6

BEAM DISTRIBUTION

76 = 7H x 6V

7

OPTIONS

SC = Safety Cable (Eye Bolt Included)
EB = Eye Bolt
FB1 = Single Fuse Block¹
FB2 = Double Fuse Block¹
PC = Polycarbonate Lens (Not for
EXLHFL Models)
40 = 4000K CCT

¹ When selected, one fuse block/fuse is provided for 120V or 277V, two fuse blocks/fuses are provided for 208V - 240V or 480V. Fuse options not available with 347V, fixtures listed for use in Canada, marine listed fixtures or EX Models.

LED

LHFL Floodlight/High-bay

LED Floodlight/High-bay for Hazardous Locations

Certification Guide - LHFL

Model	Mount	Wattage	Operating Voltage	Total Lumens	Lumens per Watt	CRI	CCT	Ambient Temperature*	Class 1, Div. 2 Group A, B, C & D	Class II Div. 1 Group E, F & G Class III*	Simul Presence	Supply Wire Suitable Temperature, °C	Shipping Weight (Lbs.)
LHFL07LU	Universal	64W	120 - 277V 50/60Hz 127-250 VDC	8,059	126.09	71	4825	-40°C < Tamb < 65°C	T5	T5	T5	90°C	38
LHFL07LN	Universal	67W	347/480V 60 Hz	8,059	120.28	71	4825	-40°C < Tamb < 65°C	T5	T5	T5	90°C	40
LHFL09LU	Universal	76W	120 - 277V 50/60Hz 127-250 VDC	10,476	137.41	71	4799	-40°C < Tamb < 65°C	T5	T5	T5	90°C	39
LHFL09LN	Universal	81W	347/480V 60 Hz	10,476	129.33	71	4799	-40°C < Tamb < 65°C	T5	T5	T5	90°C	42
LHFL12LU	Universal	98W	120 - 277V 50/60Hz 127-250 VDC	12,919	131.25	71.1	4824	-40°C < Tamb < 65°C	T5	T5	T5	90°C	39
LHFL12LN	Universal	103W	347/480V 60 Hz	12,919	125.43	71.1	4824	-40°C < Tamb < 65°C	T5	T5	T5	90°C	42
LHFL13LU	Universal	119W	120 - 277V 50/60Hz 127-250 VDC	14,121	119.10	71	4994	-40°C < Tamb < 65°C	T5	T5	T5	90°C	39
LHFL13LN	Universal	125W	347/480V 60 Hz	14,121	112.97	71	4994	-40°C < Tamb < 65°C	T5	T5	T5	90°C	42
LHFL15LU	Universal	132W	120 - 277V 50/60Hz 127-250 VDC	15,359	115.97	72.1	4961	-40°C < Tamb < 65°C	T5	T5	T5	90°C	39
LHFL15LN	Universal	144W	347/480V 60 Hz	15,359	106.66	72.1	4961	-40°C < Tamb < 65°C	T5	T5	T5	90°C	42
LHFL17LU	Universal	127W	120 - 277V 50/60Hz 127-250 VDC	16,420	129.00	74.5	5006	-40°C < Tamb < 65°C	T5	T5	T5	90°C	39
LHFL17LN	Universal	137W	347/480V 60 Hz	16,420	119.85	74.5	5006	-40°C < Tamb < 65°C	T5	T5	T5	90°C	42
LHFL20LU	Universal	164W	120 - 277V 50/60Hz 127-250 VDC	20,239	123.70	71.5	5046	-40°C < Tamb < 65°C	T5	T5	T5	90°C	42
LHFL20LN	Universal	175W	347/480V 60 Hz	20,239	115.65	71.5	5046	-40°C < Tamb < 65°C	T5	T5	T5	90°C	47
LHFL23LU	Universal	173W	120 - 277V 50/60Hz 127-250 VDC	23,684	137.30	74	4898	-40°C < Tamb < 65°C	T5	T5	T5	90°C	42
LHFL23LN	Universal	179W	347/480V 60 Hz	23,684	133.06	74	4898	-40°C < Tamb < 65°C	T5	T5	T5	90°C	47
LHFL27LU	Universal	194W	120 - 277V 50/60Hz 127-250 VDC	25,940	133.60	74.7	4980	-40°C < Tamb < 65°C	T5	T5	T5	90°C	42
LHFL27LN	Universal	203W	347/480V 60 Hz	25,940	127.78	74.7	4980	-40°C < Tamb < 65°C	T5	T5	T5	90°C	47

* Ambient temperature range is -40°C < Tamb < 55°C in Class II, Div. 1 and Class III.

LED LHFL Floodlight/High-bay

LED Floodlight/High-bay for Hazardous Locations

Certification Guide - EXLHFL

Model	Mount	Wattage	Operating Voltage	Total Lumens	Lumens per Watt	CRI	CCT	Ambient Temperature*	IECEX ATEX Ex ec nA nC	IECEX ATEX Ex tc *	Supply Wire Suitable Temperature, °C	Shipping Weight (Lbs.)
EXLHFL07LU	Universal	64W	120 - 277V 50/60Hz 127-250 VDC	8,059	126.09	71	4825	-40°C < Tamb < 65°C	T5	100°C	90°C	38
EXLHFL09LU	Universal	76W	120 - 277V 50/60Hz 127-250 VDC	10,476	137.41	71	4799	-40°C < Tamb < 65°C	T5	100°C	90°C	39
EXLHFL12LU	Universal	98W	120 - 277V 50/60Hz 127-250 VDC	12,919	131.25	71.1	4824	-40°C < Tamb < 65°C	T5	100°C	90°C	39
EXLHFL13LU	Universal	119W	120 - 277V 50/60Hz 127-250 VDC	14,121	119.10	71	4994	-40°C < Tamb < 65°C	T5	100°C	90°C	39
EXLHFL15LU	Universal	132W	120 - 277V 50/60Hz 127-250 VDC	15,359	115.97	72.1	4961	-40°C < Tamb < 65°C	T5	100°C	90°C	39
EXLHFL17LU	Universal	127W	120 - 277V 50/60Hz 127-250 VDC	16,420	129.00	74.5	5006	-40°C < Tamb < 65°C	T5	100°C	90°C	39
EXLHFL20LU	Universal	164W	120 - 277V 50/60Hz 127-250 VDC	20,239	123.70	71.5	5046	-40°C < Tamb < 65°C	T5	100°C	90°C	42
EXLHFL23LU	Universal	173W	120 - 277V 50/60Hz 127-250 VDC	23,684	137.30	74	4898	-40°C < Tamb < 65°C	T5	100°C	90°C	42
EXLHFL27LU	Universal	194W	120 - 277V 50/60Hz 127-250 VDC	25,940	133.60	74.7	4980	-40°C < Tamb < 65°C	T5	100°C	90°C	42

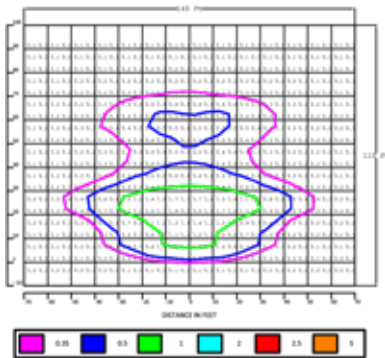
* Ambient temperature range is -40°C < Tamb < 55°C for IECEX/ATEX Ex tc.

LED LHFL Floodlight/High-bay

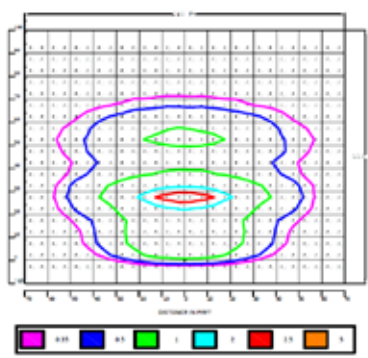
LED Floodlight/High-bay for Hazardous Locations

Photometric Data

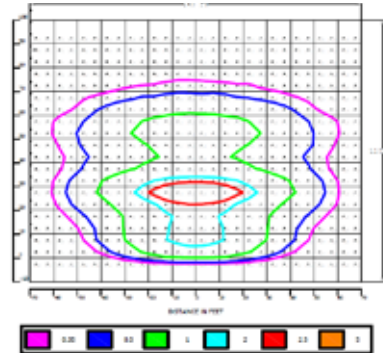
LHFL07LUT76 @ 40 Ft High; Tilt Angle = 45°
(ISOFOOTCANDLES)



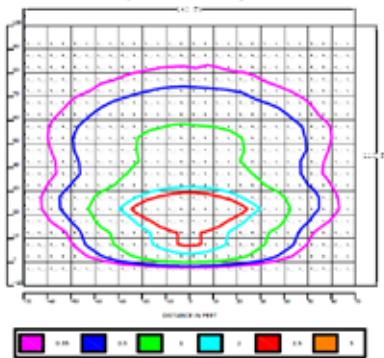
LHFL09LUT76 @ 40 Ft High; Tilt Angle = 45°
(ISOFOOTCANDLES)



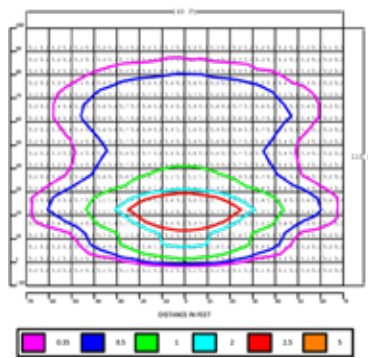
LHFL12LUT76 @ 40 Ft High; Tilt Angle = 45°
(ISOFOOTCANDLES)



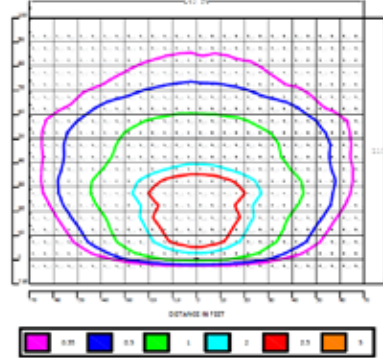
LHFL13LUT76 @ 40 Ft High; Tilt Angle = 45°
(ISOFOOTCANDLES)



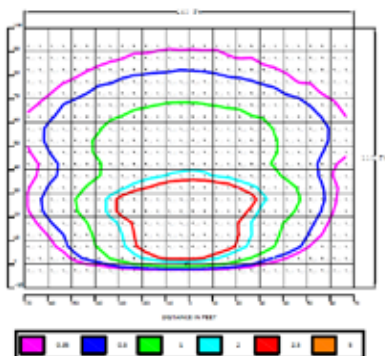
LHFL15LUT76 @ 40 Ft High; Tilt Angle = 45°
(ISOFOOTCANDLES)



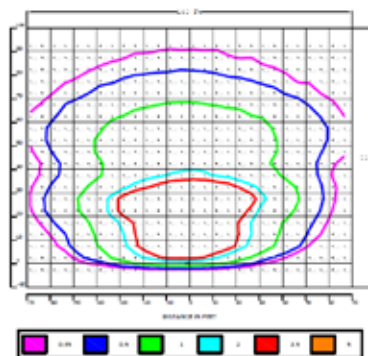
LHFL17LUT76 @ 40 Ft High; Tilt Angle = 45°
(ISOFOOTCANDLES)



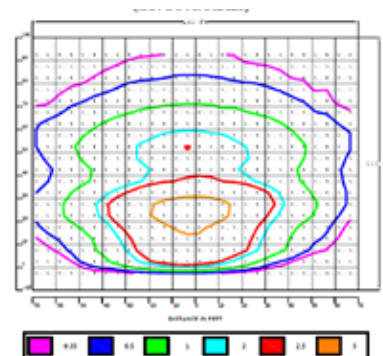
LHFL20LUT76 @ 40 Ft High; Tilt Angle = 45°
(ISOFOOTCANDLES)



LHFL23LUT76 @ 40 Ft High; Tilt Angle = 45°
(ISOFOOTCANDLES)

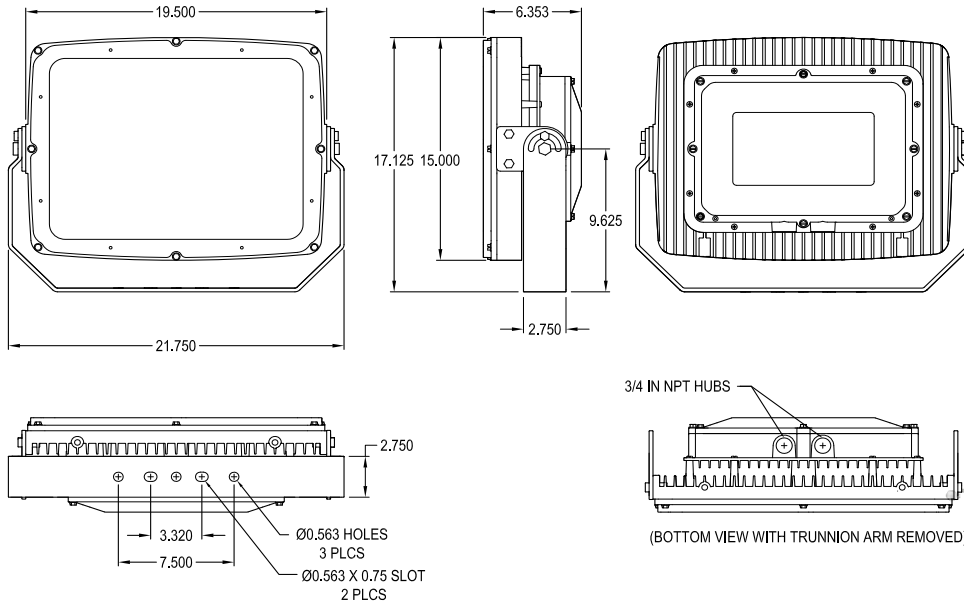


LHFL27LUT76 @ 40 Ft High; Tilt Angle = 45°
(ISOFOOTCANDLES)

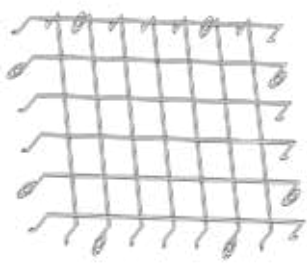


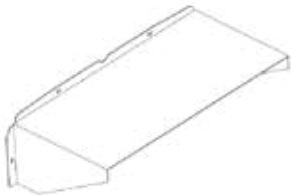
LED LHFL Floodlight/High-bay


LED Floodlight/High-bay for Hazardous Locations



Accessories

Guard	Catalog Number
	86009

Visor	Catalog Number
	86036P

POLE TOP MOUNTING KIT*	Catalog No.	Shipping Weight (Lbs.)
	RSF5	5.0

* Fits 2" - 2 1/2" pole top tenon, pipe size 2 3/8" - 2 7/8" O.D.
Adapts to horizontal or vertical mounting yokes. Stainless Steel mounting hardware included.

SAFETY CABLE	Catalog No.	Shipping Weight (Lbs.)
	10128R	1.0