

RIG-A-LITE Products



LED Solutions for Industrial Applications
Advanced lighting for
demanding environments





Designed for optimal performance in today's industrial applications

Established in 1938 to support the rugged lighting requirements of the drilling industry, RIG-A-LITE quickly earned a reputation for quality, dependability and performance. Today, our focus has expanded to providing long-lasting, purpose-built products to a vast array of demanding industries, including petrochemical, midstream oil and gas, food processing, water treatment and steel production.

Ruggedly constructed with the highest quality materials, RIG-A-LITE Products are designed for lasting

performance within the most hostile of industrial environments. From highly corrosive chemicals and extreme temperatures to jarring vibrations and punishing wash down, our diverse portfolio of LED solutions provides superior illumination and maximum durability.

To complement durable design and performance, our designs provide the unique benefit of field-replaceable circuit boards and drivers. With a high degree of serviceability, individual components can be replaced as needed, maximizing service life while lowering total cost of ownership.



Safe, reliable lighting from a partner with almost 80 years' experience.

The hardest-working fixtures for the toughest environments

		Petrochemical and Refining	Pulp and Paper	Food Processing	Midstream Oil & Gas	Grain Processing	Wastewater Treatment	Surface Mining
Hazardous location linear	CHL LED	Green	Green	Yellow	Green	Yellow	Green	Yellow
	HNMF2 LED	Green	Yellow	Yellow	Green	Yellow	Yellow	Yellow
	MHL LED	Green	Green	Yellow	Green	Yellow	Green	Yellow
	MHLS LED	Green	Green	Yellow	Green	Yellow	Green	Yellow
	MHD2 LED	Green	Green	Yellow	Green	Yellow	Green	Yellow
	MHDS LED	Green	Green	Yellow	Green	Yellow	Green	Yellow
	MHDA LED	Green	Green	Yellow	Green	Yellow	Green	Yellow
	MAR2 LED	Green	Green	Yellow	Green	Red	Green	Yellow
Explosionproof linear	XML LED	Green	Red	Red	Green	Yellow	Yellow	Yellow
	XP LED	Green	Red	Red	Green	Yellow	Yellow	Yellow
High-pressure hose down linear	FPF LED	Red	Red	Green	Red	Red	Red	Red
High-pressure hose down area	FPHB LED	Red	Red	Green	Red	Red	Red	Red
Hazardous location area light	HLHB Hi-Lumen LED	Green	Green	Yellow	Green	Green	Green	Green
	SAFJ Hi-Lumen LED	Green	Green	Yellow	Green	Green	Green	Green
	SAFR LED	Green	Green	Yellow	Green	Green	Green	Green
	HZALJ LED	Green	Green	Yellow	Green	Green	Green	Green
	SAFJ LED	Green	Green	Yellow	Green	Green	Green	Green
Hazardous location floodlight	LHFL LED	Green	Green	Yellow	Green	Green	Green	Green
	LHFLJ LED	Green	Green	Yellow	Green	Green	Green	Green
	SHLF LED	Green	Green	Yellow	Green	Green	Green	Green
Hazardous location high-bay	LHFL High-/Mid-Bay LED	Green	Green	Yellow	Green	Green	Green	Yellow
	LHFLJ High-/Mid-Bay LED	Green	Green	Yellow	Green	Green	Green	Yellow
	SHLF High-/Mid-Bay LED	Green	Green	Yellow	Green	Green	Green	Yellow
Explosionproof area light	XHBF LED	Green	Red	Red	Green	Yellow	Yellow	Yellow
	SXPJ LED	Green	Red	Red	Green	Yellow	Yellow	Yellow
Industrial globe and guard	AVP LED	Green	Green	Yellow	Green	Red	Green	Green
	BVP LED	Green	Green	Red	Green	Red	Green	Yellow
Hazardous location high-bay	WFH LED	Red	Yellow	Green	Red	Yellow	Yellow	Red
Hazardous location edge-lit sign	HLEX LED	Green	Yellow	Red	Green	Green	Yellow	Yellow
	HLS LED	Green	Yellow	Red	Green	Green	Yellow	Yellow



Table of Contents

Model Number	Description	Wattage	Lumens	Comparable Traditional Luminaire	Page #
CHL LED	Hazardous location linear	30w-80w	3710-9884	2 x 54w T5HO / 2 x 48w T12HO	7
HNMF2 LED	Hazardous location linear	54w-80w	7215-11223	2 x 54w T5HO / 2 x 48w T12HO	8
MHL LED	Hazardous location linear	27w-77w	3620-11252	2 x 54w T5HO / 2 x 48w T12HO	9
MHLS LED	Hazardous location linear (stainless)	27w-77w	3620-11252	2 x 54w T5HO / 2 x 48w T12HO	11
LHFL LED	Hazardous location floodlight/high-bay	64w-194w	8059-25940	175w to 750w MH	12
LHFLJ LED	Hazardous location floodlight/high-bay	64w-127w	8059-16420	175w to 400w MH	13
SHFL LED	Hazardous location floodlight/high-bay (stainless)	60w-115w	7248-13790	175w to 400w MH	14
HLHB Hi-Lumen LED	Hazardous location area light	200w-655w	30973-95813	1000w MH	16
SAFJ Hi-Lumen LED	Hazardous location area light	160w-240w	14345-30815	400w to 1000w MH	17
HZALJ LED	Hazardous location area light	22w-97w	3253-13430	100w to 400w MH	18
SAFR LED	Hazardous location area light	70w-96w	6796-9570	175w to 250w MH	19
SAFJ LED	Hazardous location area light	30w-50w	2752-4807	70w to 100w MH	21
XHBF LED	Explosionproof area light	60w-153w	7094-15044	175w to 600w MH	22
SXPJ LED	Explosionproof area light	50w-96w	5138-8829	100w to 250w MH	23
XML LED	Explosionproof linear	30w-90w	3806-12253	3 x 54w T5HO / 2 x 60w T12HO	24
XP LED	Explosionproof linear	30w-93w	2783-10918	4 x 48w T12HO	25
MAR2 LED	Hazardous location linear	56w-74w	5476-7660	2 x 32w T8 to 2 x 54w T5HO / 2 x 48w T12HO	26
MHD2 LED	Hazardous location (non-metallic)	54w-80w	7215-11223	2 x 54w T5HO / 2 x 48w T12HO	28
MHDS LED	Hazardous location (stainless)	54w-80w	7215-11223	2 x 54w T5HO / 2 x 48w T12HO	29
MHDA LED	Hazardous location (aluminum)	54w-80w	7215-11223	2 x 54w T5HO / 2 x 48w T12HO	30
FPHB LED	Debris-shedding area	125w-205w	14643-23750	400w to 750w MH	32
FPF LED	Debris-shedding linear	33w-130w	4169-16674	2 x 24w T5HO	33
WFH LED	Hazardous location high-bay	149w	13090-14112	4 x 54w T5HO / 6 x 32w T8	34
AVPH LED	Industrial globe and guard –aluminum	20w	1769	42w CFL	36
BVP LED	Industrial globe and guard –brass	20w	1769	42w CFL	37
XPEL LED	Explosionproof edge-lit emergency light and exit sign	4w-8w	421 (per head)	N/A	38
XPEH LED	Explosionproof edge-lit emergency light	6.5w-11w	421 (per head)	N/A	38
XPEX LED	Explosionproof edge-lit exit sign	1.5w-3w	N/A	N/A	39
XPS LED	Explosionproof edge-lit sign	1.5w-3w	N/A	N/A	39
HLEX LED	Hazardous location edge-lit exit sign	1.5w-3w	N/A	N/A	39
HLS LED	Hazardous location edge-lit sign	1.5w-3w	N/A	N/A	39



*Focused on harsh environments since its inception,
AZZ's expertise and experience are unmatched*

CHL LED

Key Features

- ① Low-profile, lightweight design
- ② Heavy-duty, 1/8" thick body
- ③ 3/4" NPT hubs
- ④ Three cable entry points
- ⑤ Toolless, cage-clamp terminal block
- ⑥ Captive junction box cover and hardware
- ⑦ Field-replaceable circuit boards and drivers
- ⑧ Impact resistant polycarbonate lens



Non-metallic heavy duty linear LED lighting for hazardous locations

Additional Features

- Feed-through capable
- Various mounting options
- Emergency battery back-up
- Dimmable driver
- Diffused lens option
- Standard 10kV surge protection
- 5-year warranty

Classifications

- Class I, Division 2, Groups A, B, C and D
- Class II, Division 2, Groups F and G
- Class III
- Class I, Zone 2, Groups IIA, IIB, IIC, Zone 22 (ANSI/UL 844)
- UL 1598A marine outside type
- UL 1598 wet locations
- UL 8750 LED safety

- UL 844 hazardous locations
- UL 924 emergency lighting
- Emergency battery back-up
- 65°C ambient temperature (High ambient model)
- CSA c22.2 No. 250.0-08
- CSA c22.2 No. 137-M1981
- NEMA 4X
- IP66
- Tested to LM 79 & LM 80

Standard Materials

Body: fiberglass-reinforced polycarbonate
 Gasket: one-piece silicone
 Mounting brackets: stainless steel
 Lens: polycarbonate
 Hubs (2): A360 aluminum (less than .4% copper content)
 Hardware: stainless steel

Model	Length	Wattage	Lumens	Lumens per Watt	Comparable Fluorescent Luminaire	CRI	Operating Voltage	Ambient Temperature
CHL04LC2UXX	2-ft	30w	3710	129	2 x 24w T5HO / 2 x 35w T12HO	84	120 - 277V 50/60HZ	55°C
CHL05LC4UXX	2-ft	37w	4376	141	2 x 24w T5HO / 2 x 35w T12HO	82		55°C
CHL06LC4UXX	2-ft	40w	4863	140	2 x 24w T5HO / 2 x 35w T12HO	83		55°C
CHL07LC4UXX	4-ft	54w	6975	138	2 x 54w T5HO / 2 x 60w T12HO	83		55°C
CHL09LC4UXX	4-ft	72w	8848	148	2 x 54w T5HO / 2 x 60w T12HO	84		55°C
CHL11LC4UXX	4-ft	80w	9884	147	2 x 54w T5HO / 2 x 60w T12HO	84		55°C

HNMF2 LED

Key Features

- ① Single piece fiberglass reinforced housing with 1/2 in. conduit ports on each end.
- ② Lens is securely held in place by tool free polymeric latches. Stainless Steel and tamper proof latches are available as options.
- ③ Flexible, impact resistant acrylic lens.



*Linear LED lighting
for hazardous locations*

Additional Features

- Vibration dampening, factory-installed mounting feet
- Dimmable driver
- Optional polycarbonate lens
- Supplemental 10kV surge protection
- 5-year warranty

Standard Materials

Body: single-piece fiberglass
 Lens: impact-resistant acrylic
 Hardware: stainless steel

Classifications

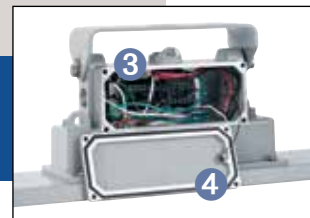
- Class I, Division 2, Groups A, B, C and D
- Class I, Zone 2, Groups IIA, IIB, IIC, Zone 22 (ANSI/UL 844)
- UL 1598 wet locations
- UL 8750 LED safety
- UL 844 hazardous locations
- 55°C ambient temperature
- NEMA 4X
- cUL listed
- IP65
- NSF certified

Model	Length	Wattage	Lumens	Lumens per Watt	Comparable Fluorescent Luminaire	CRI	Operating Voltage	Ambient Temperature
HNMF207L24UXX	4-ft	54w	7208	141	2 x 54w T5HO / 2 x 48w T12HO	82	120 - 277V 50/60HZ	55°C
HNMF209L24UXX	4-ft	72w	9643	136	2 x 54w T5HO / 2 x 48w T12HO	82	120 - 277V 50/60HZ	55°C
HNMF211L24UXX	4-ft	80w	11336	150	2 x 54w T5HO / 2 x 48w T12HO	82	120 - 277V 50/60HZ	55°C

MHL LED

Key Features

- 1 Low-profile, lightweight design
- 2 Heavy-duty, 3/8"-thick die-cast safety cable attachment points
- 3 Toolless, cage-clamp terminal block
- 4 Captive junction box cover, attached by nylon-coated, stainless steel cable
- 5 Field-replaceable LED circuit boards and drivers with quick disconnects
- 6 Adjustable mounting bracket with 60° range-of-motion and nine locking positions
- 7 Impact-resistant clear or diffused lens



Linear LED lighting for hazardous locations

Additional Features

- Central safety cable attachment points for increased safety/reduced range of motion
- Feed-through capable
- Optional end brackets for chain mount applications
- Emergency battery back-up
- Standard 10kV surge protection
- 5-year warranty

- -40°C to 65°C ambient temperature
- CSA C22.2 No. 250.0-08
- CSA C22.2 No. 137-M1981
- ATEX/IEC/EX approvals
- NEMA 4X
- ABS type approved
- IP66
- Tested to LM79 and LM80

Classifications

- Class I, Division 2, Groups A, B, C and D
- Class II, Division 2, Groups F and G
- Class III
- Class I, Zone 2, Groups IIA, IIB, IIC, Zone 22 (ANSI/UL 844)
- UL 1598A marine outside type
- UL 1598 wet locations
- UL 8750 LED safety
- UL 844 hazardous locations
- UL 924 emergency lighting
- Emergency battery back-up

Standard Materials

Body: 6061T5 aluminum (less than .4% copper content) with baked-on gray epoxy finish
 Driver body: A360 aluminum (less than .4% copper content) with baked-on gray epoxy finish
 Gaskets: one-piece neoprene
 Optional end brackets: stainless steel
 Lens: polycarbonate
 Hardware: stainless steel

Model	Length	Wattage	Lumens	Lumens per Watt	Comparable Fluorescent Luminaire	CRI	Operating Voltage	Ambient Temperature
MHL04LC2	2-ft	30w	3620	121	2 x 24w T5HO / 2 x 35w T12HO	83	120 - 277v 50/60 HZ	55°C
MHL05LC4	2-ft	37w	4833	131	2 x 54w T5HO / 2 x 60w T12HO	83	120 - 277v 50/60 HZ	55°C
MHL06LC4	2-ft	40w	5550	139	2 x 24w T5HO / 2 x 35w T12HO	83	120 - 277v 50/60 HZ	50°C
MHL07LC4	4-ft	54w	7261	134	2 x 54w T5HO / 2 x 60w T12HO	83	120 - 277v 50/60 HZ	60°C
MHL09LC4-HA	4-ft	72w	9485	136	2 x 54w T5HO / 2 x 60w T12HO	83	120 - 277v 50/60 HZ	65°C
MHL11LC4	4-ft	80w	11252	147	2 x 54w T5HO / 2 x 60w T12HO	83	120 - 277v 50/60 HZ	50°C

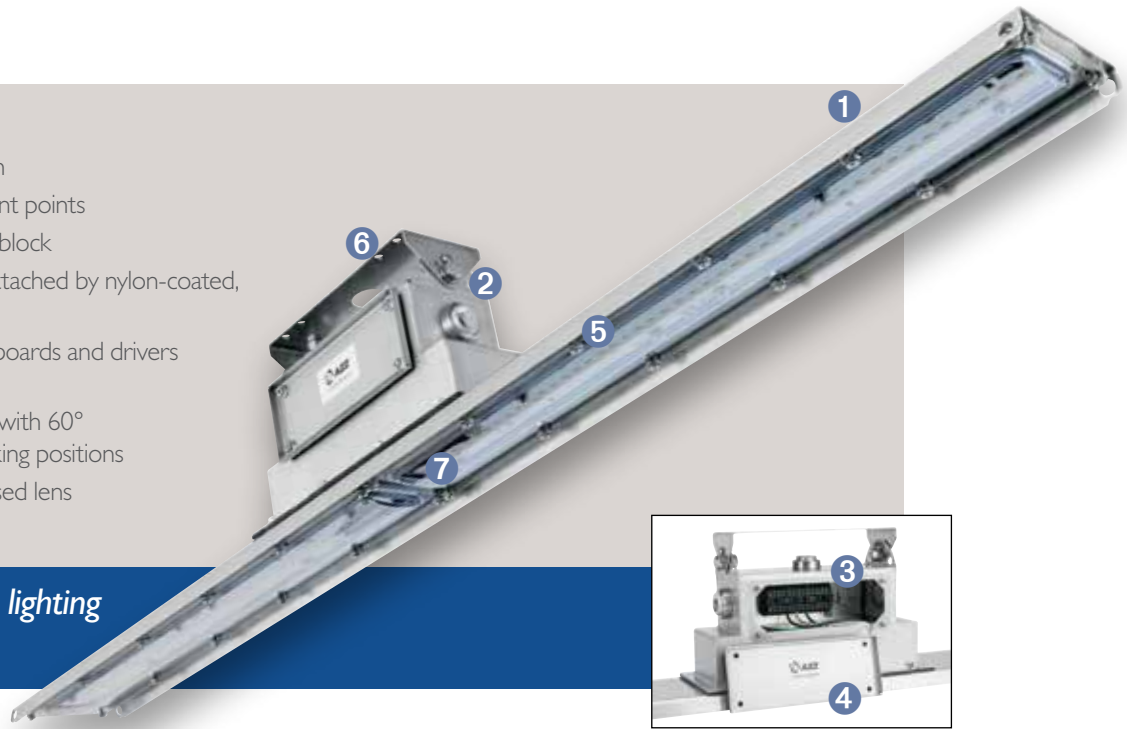


Durable design and high-quality materials deliver exceptional illumination year after year in the most punishing environments

MHLS LED

Key Features

- ① Low-profile, lightweight design
- ② Integral safety cable attachment points
- ③ Toolless, cage clamp terminal block
- ④ Captive junction box cover, attached by nylon-coated, stainless steel cable
- ⑤ Field-replaceable LED circuit boards and drivers with quick disconnects
- ⑥ Adjustable mounting bracket with 60° range of motion and nine locking positions
- ⑦ Impact-resistant clear or diffused lens



Stainless steel linear LED lighting for hazardous locations

Additional Features

- Central safety cable attachment points for increased safety/reduced range of motion
- Feed-through capable
- Optional end brackets for chain mount applications
- Emergency battery back-up
- Standard 10kV surge protection
- 5-year warranty

Classifications

- Class I, Division 2, Groups A, B, C and D
- Class II, Division 2, Groups F and G
- Class III
- Class I, Zone 2, Groups IIA, IIB, IIC, Zone 22 (ANSI/UL 844)
- UL 1598A marine outside type
- UL 1598 wet locations
- UL 8750 LED safety
- UL 844 hazardous locations

- UL 924 emergency lighting
- CSA C22.2 No. 250.0-08
- CSA C22.2 No. 137-M1981
- NEMA 4X
- ABS type approved
- IP66

Standard Materials

Body: type 304 stainless steel (optional type 316)
 Driver body: type 304 stainless steel (optional type 316)
 Gaskets: one-piece neoprene
 Optional end brackets: stainless steel
 Lens: polycarbonate
 Hardware: stainless steel

Model	Length	Wattage	Lumens	Lumens per Watt	Comparable Fluorescent Luminaire	CRI	Operating Voltage	Ambient Temperature
MHLS04LC2	2-ft	30w	3620	121	2 x 24w T5HO / 2 x 35w T12HO	83	120 - 277v 50/60 HZ	55°C
MHLS05LC4	2-ft	37w	4833	131	2 x 54w T5HO / 2 x 60w T12HO	83	120 - 277v 50/60 HZ	55°C
MHLS06LC4	2-ft	40w	5550	139	2 x 24w T5HO / 2 x 35w T12HO	83	120 - 277v 50/60 HZ	50°C
MHLS07LC4	4-ft	54w	7261	134	2 x 54w T5HO / 2 x 60w T12HO	83	120 - 277v 50/60 HZ	60°C
MHLS09LC4	4-ft	72w	9757	136	2 x 54w T5HO / 2 x 60w T12HO	83	120 - 277v 50/60 HZ	60°C
MHLS11LC4	4-ft	80w	11252	141	2 x 54w T5HO / 2 x 60w T12HO	83	120 - 277v 50/60 HZ	50°C

RIG-A-LITE Products

LHFL FLOODLIGHT/ HIGH-BAY LED

Key Features

- ① High-performance precision optics system
- ② Driver access plate with stainless steel safety retention chain and captive hardware
- ③ Field-replaceable LED circuit boards and drivers with quick disconnects
- ④ Approved for high-ambient applications, up to 65°C
- ⑤ Two permanent safety cable retention points

LED floodlight/high-bay for hazardous locations



Additional Features

- Versatile trunnion mount, with 180° range of motion
- Dual hub entries, feed-through capable
- Terminal block
- Optional polycarbonate lens
- Standard 10kV surge protection
- 5-year warranty

Classifications

- Class I, Division 2, Groups A, B, C and D
- Class II, Divisions 1 and 2, Groups E, F and G
- Class III
- Class I, Zone 2, Groups IIA, IIB and IIC
- Zone 22
- UL 1598A marine outside type
- UL 1598 wet locations
- UL 8750 LED safety
- UL 844 hazardous locations

- -24°C to 65°C ambient temperature
- CAN/CSA C22.2 No. 2500-08
- CAN/CSA C22.2 No. 137-M1981
- NEMA 4X
- ABS type approved
- IP66
- DLC Listed
- Tested to LM79 and LM80
- Factory sealed
- ATEX/IEC/EX approvals

Standard Materials

Body: A360 aluminum (less than .4% copper content)
with baked-on gray epoxy finish

Gaskets: silicone

Lens: tempered glass

Hardware: stainless steel

Model	Wattage	Lumens	Lumens per Watt	Comparable HID Luminaire	CRI	Operating Voltage	Ambient Temperature
LHFL07LUT76	64w	8059	126	175w MH	71	120 - 277v 50/60 HZ	65°C
LHFL09LUT76	76w	10476	137	250w to 320w MH	71	120 - 277v 50/60 HZ	65°C
LHFL12LUT76	98w	12919	131	320w to 400w MH	71	120 - 277v 50/60 HZ	65°C
LHFL13LUT76	119w	14121	119	320w to 400w MH	71	120 - 277v 50/60 HZ	65°C
LHFL15LUT76	132w	15359	116	400w MH	72	120 - 277v 50/60 HZ	65°C
LHFL17LUT76	127w	16420	129	400w to 600w MH	75	120 - 277v 50/60 HZ	65°C
LHFL20LUT76	164w	20239	124	400w to 600w MH	72	120 - 277v 50/60 HZ	65°C
LHFL23LUT76	173w	23684	137	600w to 750w MH	74	120 - 277v 50/60 HZ	65°C
LHFL27LUT76	194w	25940	134	750w to 1000w MH	75	120 - 277v 50/60 HZ	65°C

LHFLJ FLOODLIGHT/ HIGH-BAY LED

Key Features

- 1 Compact, space-saving design
- 2 High-performance precision optics system
- 3 Driver access plate features stainless steel safety retention chain and captive hardware
- 4 Field-replaceable LED circuit boards and drivers with quick disconnects
- 5 Approved for high-ambient applications, up to 65°C
- 6 Two permanent safety cable retention points
- 7 Flexible universal mounting system

LED floodlight/high-bay for hazardous locations



Additional Features

- Versatile trunnion-mount with 180° range of motion
- Dual hub entries, feed-through cable
- Optional polycarbonate lens
- Terminal block
- Optional emergency battery back-up
- Standard 10kV surge protection
- 5-year warranty

Classifications

- Class I, Division 2, Groups A, B, C and D
- Class II, Divisions I and 2, Groups E, F and G
- Class III
- Class I, Zone 2, Groups IIA, IIB and IIC
- Zone 22
- UL 1598A marine outside type
- UL 1598 wet locations
- UL 8750 LED safety
- UL 844 hazardous locations
- Emergency battery backup
- -40°C to 65°C ambient temperature

- CAN/CSA C22.2 No. 250.0-08
- CAN/CSA C22.2 No. 137-M1981
- NEMA 4X
- ABS type approved
- IP66
- DLC Listed
- Tested to LM79 and LM80
- Factory sealed
- ATEX/IEC/EX approvals

Standard Materials

Body: A360 aluminum (less than .4% copper content)
with baked-on gray epoxy finish

Gaskets: silicone

Lens: tempered glass

Hardware: stainless steel

Model	Wattage	Lumens	Lumens per Watt	Comparable HID Luminaire	CRI	Operating Voltage	Ambient Temperature
LHFLJ07LUTP76	64w	8059	126	175w MH	71	120 - 277V 50/60HZ	-40°C < Tamb < 65°C
LHFLJ09LUTP76	76w	10476	137	250w to 320w MH	71	120 - 277V 50/60HZ	-40°C < Tamb < 65°C
LHFLJ12LUTP76	98w	12919	131	320w to 400w MH	71	120 - 277V 50/60HZ	-40°C < Tamb < 65°C
LHFLJ13LUTP76	119w	14121	119	400w MH	71	120 - 277V 50/60HZ	-40°C < Tamb < 65°C
LHFLJ15LUTP76	132w	15359	116	400w to 600w MH	72	120 - 277V 50/60HZ	-40°C < Tamb < 65°C
LHFLJ17LUTP76	127w	16420	129	400w to 600w MH	75	120 - 277V 50/60HZ	-40°C < Tamb < 65°C

SHLF LED

Key Features

- ① High-performance precision optics system
- ② Field-replaceable LED circuit boards and drivers with quick disconnects
- ③ Permanent safety cable retention points
- ④ Separate LED/driver chambers for maximum heat dissipation
- ⑤ Terminal block

Stainless steel LED flood lighting for hazardous locations



Additional Features

- 3/4" NPT hub(s)
- Optional polycarbonate lens
- Pendant mount available
- Ceiling mount available
- Standard 10kV surge protection
- 5-year warranty

Classifications

- Class I, Division 2, Groups A, B, C and D
- Zone 2, Groups IIA, IIB and IIC
- UL 1598A marine outside type
- UL 1598 wet locations
- UL 8750 LED safety
- UL 844 hazardous locations
- CAN/CSA C22.2 No. 250.0-08
- CAN/CSA C22.2 No. 137-M1981
- NEMA 4X
- IP66
- Tested to LM79 and LM80

Standard Materials

Body: type 304 stainless steel (optional type 316)
 Gaskets: silicone
 Lens: tempered glass (optional polycarbonate)
 Hardware: stainless steel

Model	Wattage	Lumens	Lumens per Watt	Comparable HID Luminaire	CRI	Operating Voltage	Ambient Temperature
SHLF07LU_76XX	60w	7248	124	175w MH	72	120 - 277V 50/60HZ, 347V/480V 60 Hz	45°C
SHLF15LU_76XX	115w	13790	120	250w MH	73		45°C



RIG-A-LITE Products have long set the industry standard for lumen output, efficiency and application flexibility

HLHB Hi-Lumen LED

Key Features

- ① Four (4) 12" Stainless steel sash chains for convenient access to the wiring compartment
- ② Spring pressure connection terminal block
- ③ Interchangeable optics with 45, 60, 90 and 120 degree beam angle options
- ④ Field replaceable LED circuit boards, LED modules and drivers with quick disconnects
- ⑤ Four (4) safety cable attachment points

LED high-bay lighting for hazardous locations



Additional Features

- Chain/cable and surface mounting
- Emergency battery backup option
- 0-10V dimming, range 10-100%
- Standard 10kV surge protection
- 5-year warranty

Classifications

- Class I, Division 2, Groups A, B, C, & D
- UL 1598A marine outside type
- UL 1598 wet locations
- UL 8750 LED safety
- UL 844 Hazardous Locations
- Emergency Battery Backup
- -40°C to 70°C Ambient Temperature

- CAN/CSA C22.2 No. 250.0-08
- CAN/CSA C22.2 No. 137-M1981
- NEMA 4X
- IP66
- DLC Listed Premium
- Tested to LM79 and LM80

Standard Materials

Body: A360 aluminum (less than .4% copper content) with baked-on gray epoxy finish
 Gaskets: one-piece silicone
 Lens: polycarbonate
 Hardware: stainless steel

Model	Wattage	Lumens	Lumens per Watt	Comparable HID Luminaire	CRI	Operating Voltage	Ambient Temperature
HLHB3LNXX	200W	31479	156	1000w MH	84	120 - 277V 50/60HZ,** 347V/480V 60 Hz	65°C*
HLHB4LNXX	303W	46385	148	1000w MH	84		70°C*
HLHB5LNXX	346W	52180	150	N/A	83		65°C*
HLHB6LNXX	479W	68491	142	N/A	83		65°C*
HLHB7LNXX	511W	78548	153	N/A	84		65°C*
HLHB8LNXX	574W	86184	149	N/A	84		60°C*
HLHB9LNXX	646W	95813	148	N/A	84		60°C*

* Cable/chain mount models. Ambient temperature of all EM models is 0°C < Tamb < 40°C.

** Data shown is for 347V/480V 60Hz models

SAFJ Hi-Lumen LED

Key Features

- ① Wide distribution pattern with uplight
- ② Field replaceable LEDs and drivers
- ③ Hinged mount for easy access to internal components
- ④ Isolated LED compartment reduces temperature within driver housing
- ⑤ Unique design enhances airflow for greater heat dissipation
- ⑥ Heavy-duty tempered glass lens
- ⑦ Type I, III and V light distribution options



LED area lighting for hazardous locations

Additional Features

- Pendant, ceiling, wall and stanchion mounting options
- Terminal block
- Mates directly to SAFJ and select competitor mounts
- Dimming option
- Optional stainless steel guard
- Standard 10kV surge protection
- 5-year warranty

- NEMA 4X
- IP66
- Tested to LM79 and LM80
- ATEX/IEC/EX approvals

Classifications

- Class I, Division 2, Groups A, B, C and D
- Class II, Divisions I and 2, Groups E, F and G
- Class III
- UL 1598A marine outside type
- UL 1598 wet locations
- UL 8750 LED safety
- UL 844 hazardous locations
- Up to 65°C ambient temperature
- CAN/CSA C22.2 No. 250.0-08
- CAN/CSA C22.2 No. 137-M1981

Standard Materials

Body: A360 aluminum (less than .4% copper content)
with baked-on gray epoxy finish
Gaskets: one-piece silicone
Lens: borosilicate glass
Hardware: stainless steel

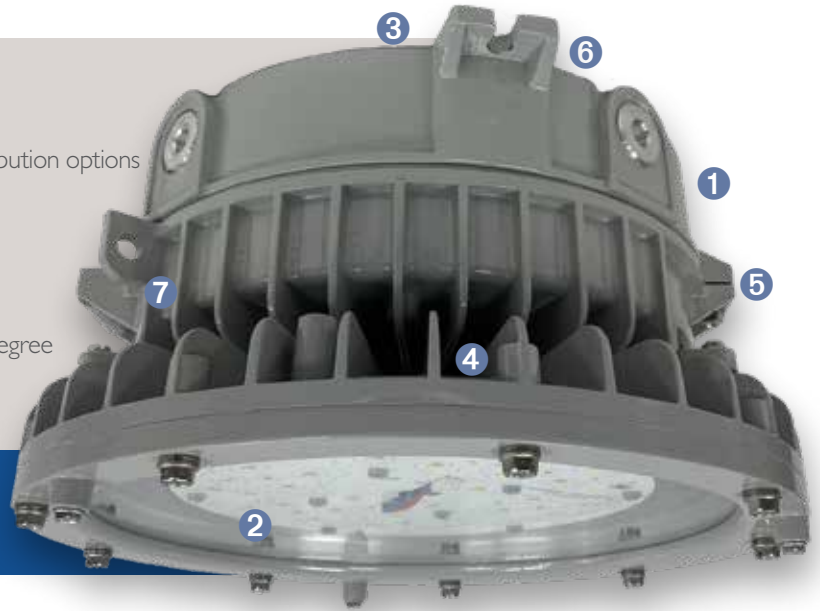
Model	Wattage	Lumens	Lumens per Watt	Comparable HID Luminaire	CRI	Operating Voltage	Ambient Temperature
SAFJ16L3UGXX	160w	20888	125	400w MH	83	120 - 277V 50/60HZ, 347V/480V 60 Hz	65°C*
SAFJ21L3UGXX	210w	26001	128	750w MH	83		65°C*
SAFJ24L3UGXX	240W	30815	128	1000W MH	84		65°C*

* 347/480V 60Hz models limited to -30°C<Tamb<55°C

HZALJ LED

Key Features

- ① Low profile body, less than 5" high
- ② Interchangeable optics with Type I, III, V and wide distribution options
- ③ Spring pressure connection terminal block
- ④ Field-replaceable LED circuit boards and drivers with quick disconnects
- ⑤ Hinged mount for access to internal components
- ⑥ Optional trunnion mount with locking positions in 15 degree increments (not pictured)
- ⑦ Two (2) safety cable attachment points



LED area lighting for hazardous locations

Additional Features

- Optional emergency backup with switching capability and field replaceable battery
- Pendant, ceiling, wall, trunnion and stanchion mounting options
- Mates directly to select competitor mounts
- Dimming option
- Optional Type 316 stainless steel guard
- Standard 10kV surge protection
- 5-year warranty
- Emergency Battery Backup
- -40°C to 70°C Ambient Temperature
- CSA C22.2 No. 250.0-08
- CSA C22.2 No. 137-M1981
- NEMA 4X
- ABS type approved
- IP66
- Tested to LM79 and LM80

Classifications

- Class I, Division 2, Groups A, B, C and D
- Class I, Zone 2, Group IIA, IIB, IIC
- UL 1598A marine outside type
- UL 1598 wet locations
- UL 8750 LED safety
- UL 844 hazardous locations
- UL 924 Emergency Lighting

Standard Materials

Body: A360 aluminum (less than .4% copper content) with baked-on gray epoxy finish
 Gaskets: one-piece silicone
 Lens: tempered glass or polycarbonate
 Hardware: stainless steel

Model	Wattage	Lumens	Lumens per Watt	Comparable HID Luminaire	CRI	Operating Voltage	Ambient Temperature
HZALJ04LU	22w	3253	151	70w to 100w MH	81	120 - 277V 50/60HZ	70°C
HZALJ06LU	39w	5749	149	100w to 150w MH	81	120 - 277V 50/60HZ	70°C
HZALJ08LU	53w	7561	143	150w to 175w MH	81	120 - 277V 50/60HZ	70°C
HZALJ10LU	67w	9634	144	250w to 320w MH	81	120 - 277V 50/60HZ	70°C
HZALJ11LU	80w	11410	142	320w to 400w MH	81	120 - 277V 50/60HZ	70°C
HZALJ13LU	97w	13430	139	400w MH	81	120 - 277V 50/60HZ	70°C

SAFR LED

Key Features

- 1 Optics feature wide distribution pattern with uplight
- 2 Hinged mount for access to internal components
- 3 Field-replaceable LED circuit boards and drivers with quick disconnects
- 4 Clear or diffused lens options
- 5 Low profile
- 6 No external fins



LED area lighting for hazardous locations

Additional Features

- Pendant, ceiling, wall, cone and stanchion mounting options
- Terminal block
- Dimming option
- Optional prismatic refractors
- Optional adapter ring mates to select competitor mounts
- Optional stainless steel threaded inserts
- Optional stainless steel guard
- Standard 10kV surge protection
- 5-year warranty

- ABS type approved
- IP66
- DLC listed
- cUL listed
- Tested to LM79 and LM80
- 2.36 spacing criteria-compliant

Classifications

- Class I, Division 2, Groups A, B, C and D
- Class II, Divisions 1 and 2, Groups E, F and G
- Class III
- Zone 2, Groups IIA, IIB and IIC
- UL 1598A marine outside type
- UL 1598 wet locations
- UL 8750 LED safety
- UL 844 hazardous locations
- Up to 55°C ambient temperature
- NEMA 4X

Standard Materials

Body: A360 aluminum (less than .4% copper content) with baked-on gray epoxy finish

Gaskets: one-piece silicone

Lens: borosilicate glass

Hardware: stainless steel

Model	Wattage	Lumens	Lumens per Watt	Comparable HID Luminaire	CRI	Operating Voltage	Ambient Temperature
SAFR09L2ULCXX	70w	6796	103	175w MH	74	120 - 277V 50/60HZ	55°C
SAFR11L2ULCXX	96w	9570	104	250w MH	75	120 - 277V 50/60HZ	55°C



Field-replaceable LED boards and drivers maximize service life

SAFJ LED

Key Features

- ① Low profile and compact design
- ② Wide distribution pattern with uplight
- ③ Field-replaceable LED circuit boards and drivers with quick disconnects
- ④ Hinged mount for access to internal components
- ⑤ Clear or diffused lens options
- ⑥ No external fins



LED area lighting for hazardous locations

Additional Features

- Pendant, ceiling, wall and stanchion mounting options
- Terminal block
- Dimming option
- Mates directly to select competitor mounts
- Optional stainless steel threaded inserts
- Optional stainless steel guard
- Standard 10kV surge protection
- 5-year warranty

- Tested to LM79 and LM80
- I.30 spacing criteria-compliant

Standard Materials

Body: A360 aluminum (less than .4% copper content)
with baked-on gray epoxy finish
Gaskets: one-piece silicone
Lens: borosilicate glass or polycarbonate
Hardware: stainless steel

Classifications

- Class I, Division 2, Groups A, B, C and D
- Class II, Division I, Groups E, F and G
- Class III
- UL 1598A marine outside type
- UL 8750 LED safety
- UL 844 hazardous locations
- Up to 55°C ambient temperature
- NEMA 3R, 4X
- ABS type approved
- IP66
- DLC listed

Model	Wattage	Lumens	Lumens per Watt	Comparable HID Luminaire	CRI	Operating Voltage	Ambient Temperature
SAFJ03L2ULCXX	30w	3059	109	50w MH	74	120 - 277V 50/60HZ	50°C
SAFJ06L2ULCXX	50w	4806	100	100w MH	74	120 - 277V 50/60HZ	55°C

XHBF LED

Key Features

- 1 Low profile body, less than 7" high
- 2 Interchangeable optics with Type I, III, V, medium, wide, narrow and very narrow distribution options
- 3 Spring pressure connection terminal block
- 4 Field replaceable LED circuit boards and drivers with quick disconnects
- 5 Optional trunnion mount with five locking positions in 15 degree increments
- 6 Two (2) safety cable attachment points with optional eye-bolts



Explosionproof LED Area Lighting

Additional Features

- Certified for hydrogen atmospheres (group B)
- Emergency Battery Backup option with switching capability
- Mates directly to SXP/SXPJ HID mounts
- 0-10V dimming, range 10-100%
- Standard 10kV surge protection
- 5-year warranty

- Emergency Battery Backup
- -40°C to 65°C Ambient Temperature
- CSA C22.2 No. 250.0-08
- CSA C22.2 No. 137-M1981
- NEMA 4X
- ABS Type Approved
- IP66
- Tested to LM79 & LM80
- ATEX/IEC/EX approvals

Classifications

- Class I, Division I, Groups B, C & D
- Class II, Division I, Groups E, F & G
- Class III
- Simultaneous Presence
- Class I, Zone 1 AEx db IIB+H2 T4 Gb
- Class II, Zone 2I AEx tb IIIC 135°C Db
- UL 1598A Marine Outside Type
- UL 1598 Wet Locations
- UL 8750 LED Safety
- UL 844 Hazardous Locations

Standard Materials

Body: A360 aluminum (less than .4% copper content) with baked-on gray epoxy finish
 Gaskets: one-piece silicone
 Lens: tempered glass
 Hardware: stainless steel

Model	Wattage	Lumens	Lumens per Watt	Comparable HID Luminaire	CRI	Operating Voltage	Ambient Temperature
XHBF06L	60W	7094	105	175w MH	74	120 - 277V 50/60HZ, 347V/480V 60 Hz	65°C
XHBF08L	80W	8645	102	175w MH	74		65°C
XHBF09L	96W	10244	106	250w to 320w MH	73		65°C
XHBF11L	107W	11327	106	320w to 400w MH	73		65°C
XHBF12L	125W	12515	100	400w MH	73		65°C
XHBF13L	136W	13743	101	400w MH	73		65°C
XHBF15L	153W	15044	98	400w-600w MH	74		65°C

SXPJ LED

Key Features

- ① Single-pin quick disconnect mount with double acme thread
- ② Component access via single set screw
- ③ Field-replaceable LED circuit boards and drivers with quick disconnects
- ④ Wireless electromechanical terminal block

Explosionproof LED area lighting



Additional Features

- Standard, angle and high-bay reflector options
- Pendant, ceiling, wall, stanchion and trunnion mounting options
- Optional stainless steel guard
- Standard 10kV surge protection
- 5-year warranty

Classifications

- Class I, Division I, Groups C and D
- Class II, Division I, Groups E, F and G
- Class III
- Class I, Zone I, Groups IIA and IIB
- UL 1598A marine outside type
- UL 1598 wet locations
- UL 8750 LED safety
- UL 844 hazardous locations
- 55°C maximum ambient temperature
- NEMA 4X
- ABS type approved
- IP66
- Paint spray booth
- DLC listed

- cUL listed
- LM79 and LM80
- 2.34 spacing criteria-compliant
- ATEX/IEC/EX approvals

Standard Materials

Body: A360 aluminum (less than .4% copper content) with baked-on gray epoxy finish

Gaskets: one-piece silicone

Lens: borosilicate glass

Hardware: stainless steel

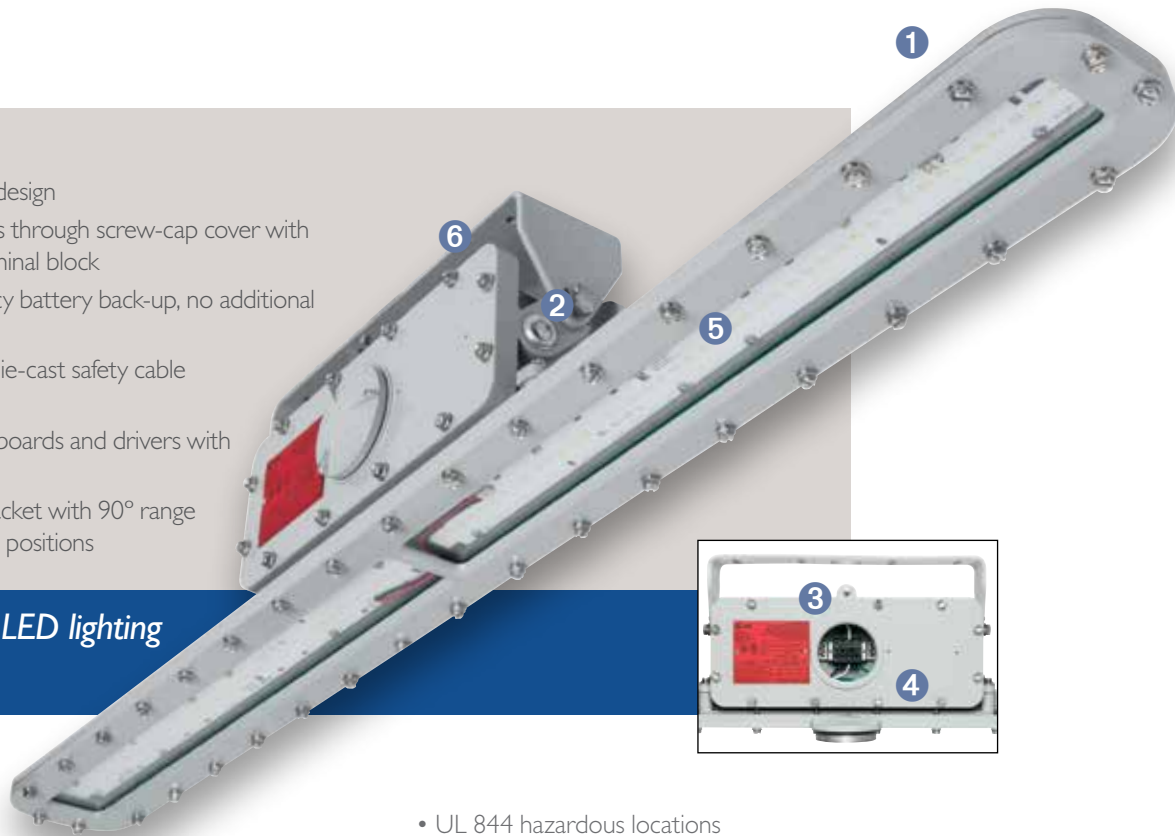
Model	Wattage	Lumens	Lumens per Watt	Comparable HID Luminaire	CRI	Operating Voltage	Ambient Temperature
SXPJ06L2UGXX	50w	5138	104	100w MH	73	120 - 277V 50/60HZ	55°C
SXPJ09L2UGXX	70w	6313	97	175w MH	72	120 - 277V 50/60HZ	55°C
SXPJ11L2UGXX	96w	8829	94	250w MH	73	120 - 277V 50/60HZ	55°C

RIG-A-LITE Products

XML LED

Key Features

- 1 Low-profile, lightweight design
- 2 Convenient wiring access through screw-cap cover with toolless, cage-clamp terminal block
- 3 Self-contained emergency battery back-up, no additional junction box required
- 4 Heavy-duty, 7/16"-thick die-cast safety cable attachment points
- 5 Replaceable LED circuit boards and drivers with quick disconnects
- 6 Adjustable mounting bracket with 90° range of motion and 13 locking positions



Explosionproof linear LED lighting

Additional Features

- Central safety cable attachment points for increased safety/reduced range of motion
- Feed-through and pendant mount capable
- Diffused lens option
- Standard 10kV surge protection non EM models
- 4kV surge protection, EM models
- 5-year warranty

Classifications

- Class I, Division 1, Groups C and D
- Class I, Division 2, Groups C and D
- Class II, Division I, Groups E, F and G
- Class III
- Simultaneous presence
- UL 1598A marine outside type
- UL 1598 wet locations
- UL 8750 LED safety

- UL 844 hazardous locations
- UL 924 emergency lighting
- Emergency battery back-up
- CSA C22.2 No. 250.0-08
- CSA C22.2 No. 137-M1981
- NEMA 4X, 7CD
- ABS type approved
- IP66
- Paint spray booth
- DLC listed
- Tested to LM79 and LM80
- ATEX/IEC/EX approvals

Standard Materials

Body: A360 aluminum (less than .4% copper content) with baked-on gray epoxy finish

Gaskets: one-piece neoprene

Lens: tempered glass

Hardware: stainless steel

Model	Length	Wattage	Lumens	Lumens per Watt	Comparable Fluorescent Luminaire	CRI	Operating Voltage	Ambient Temperature
XML04LC2U	2-ft	30w	3806	129	2 x 24w T5HO / 2 x 35w T12HO	82	120 - 277v 50/60 HZ	55°C
XML05LC2U	2-ft	38w	4794	128	2 x 24w T5HO / 2 x 35w T12HO	82		55°C
XML06LC2U	2-ft	45w	6139	135	3 x 24w T5HO / 2 x 35w T12HO	82		55°C
XML07LC2U	4-ft	54w	7291	134	3 x 24w T5HO / 2 x 35w T12HO	82		60°C
XML09LC4U	4-ft	75w	9290	130	2 x 54w T5HO / 2 x 60w T12HO	82		60°C
XML14LC4U	4-ft	90w	12253	140	3 x 54w T5HO / 3 x 60w T12HO	82		60°C

XP LED

Key Features

- 1 Two permanent safety cable attachment points
- 2 Field-replaceable LED circuit boards and drivers with quick disconnects
- 3 Wiring access through screw-cap covers
- 4 Self-contained emergency battery back-up (optional)
- 5 Oversized, finned driver housing for greater heat dissipation
- 6 Factory sealed

Explosionproof LED lighting



Additional Features

- Shock-mount and beam clamp mounting options
- 2-, 3- or 4-tube versions available
- Dimming and outboard options
- 2.5kV surge protection
- 5-year warranty

Classifications

- Class I, Division 1, Groups C and D
- Class I, Division 2, Groups C and D
- Class II, Divisions 1 and 2, Groups E, F and G
- Class III
- Zone 1, Groups IIA and IIB
- Zone 2, Groups IIA, IIB and IIC
- Simultaneous Presence
- UL 1598A marine outside type
- UL 1598 wet locations
- UL 8750 LED safety
- UL 844 hazardous locations
- UL 924 emergency lighting
- Emergency battery backup

- 55°C ambient temperature
- NEMA 3, 4, 4X, 7CD and 9EFG
- cUL Listed
- IP66
- Paint spray booth
- DLC listed
- Tested to LM79 and LM80

Standard Materials

Body: A361 aluminum (less than .4% copper content)

Reflector: 6063T5 aluminum (less than .4% copper content) with baked-on white epoxy finish

Lens: borosilicate glass

Hardware: stainless steel

Model	Length	No. Tubes	Wattage	Lumens	Lumens per Watt	Comparable Fluorescent Luminaire	CRI	Operating Voltage	Ambient Temperature
XP30L22LU	2-ft	2	30w	2783	105	2 x 32w T8 / 2 x 48w T12HO	84	120 - 277V 50/60HZ	55°C
XP40L23LU	2-ft	3	40w	2725	68	2 x 32w T8 / 2 x 48w T12HO	84	120 - 277V 50/60HZ	55°C
XP50L42LU	4-ft	2	46w	5450	116	2 x 32w T8 / 2 x 48w T12HO	84	120 - 277V 50/60HZ	55°C
XP75L43LU	4-ft	3	73w	8220	112	3 x 32w T8 / 3 x 48w T12HO	84	120 - 277V 50/60HZ	55°C
XPI00L44LU	4-ft	4	93w	10918	117	4 x 32w T8 / 4 x 48w T12HO	84	120 - 277V 50/60HZ	55°C

RIG-A-LITE Products

MAR2 LED

Key Features

- ① Heavy-duty .094"-thick extruded housing
- ② Permanent safety cable attachment points
- ③ Two 3/4" NPT conduit hubs
- ④ 360° mounting flexibility
- ⑤ Field-replaceable LED circuit boards and drivers with quick disconnects
- ⑥ Toolless entry via twist-lock latches
- ⑦ Watershed design



*Linear LED lighting
for hazardous locations*

Additional Features

- Offset mounting bracket enables flush mounting
- Dimmable driver
- Low-profile design
- Optional pre-wired feed-through
- Standard 10kV surge protection
- 5-year warranty

Standard Materials

- Body: 5052-H32 aluminum (less than .4% copper content)
- Gasket: one-piece silicone
- Lens: acrylic
- Latches: stainless steel
- Hardware: stainless steel

Classifications

- Class I, Division 2, Groups A, B, C and D
- UL 1598A marine outside type
- UL 1598 wet locations
- UL 8750 LED safety
- UL 844 hazardous locations
- 55°C ambient temperature
- CSA C22.2 #250.0-08
- CSA C22.2 #137-M1981
- NEMA 4X
- DLC listed
- Tested to LM79 and LM80

Model	Length	Wattage	Lumens	Lumens per Watt	Comparable Fluorescent Luminaire	CRI	Operating Voltage	Ambient Temperature
MAR206L22UXX	2-ft	56w	5476	98	2 x 24w T5HO / 2 x 24w T12HO	85	120 - 277V 50/60HZ	55°C
MAR207L24UXX	4-ft	74w	7660	103	2 x 54w T5HO / 2 x 48w T12HO	82	120 - 277V 50/60HZ	55°C



Engineered for easier installation, reduced maintenance and increased safety

MHD2 LED

Key Features

- 1 Heavy-duty 3/16"-thick housing, reinforced to 3/8" at hub openings
- 2 Impact-resistant 1/8"-thick lens with reinforced corners
- 3 Component-assembly tray held captive by two nylon-coated, stainless steel cables
- 4 Toolless, cage-clamp terminal block
- 5 Two 3/4" NPT conduit hubs reinforced with 1/16" grounding plate and locknuts
- 6 Field-replaceable LED circuit boards and drivers with quick disconnects
- 7 Toolless entry via over-the-center cam latches



Non-metallic linear LED lighting for hazardous locations

Additional Features

- Vibration dampening, factory-installed mounting feet
- Dimmable driver
- Optional polycarbonate lens
- Stainless steel 45°, fixed-wall mounting kit available
- Standard 10kV surge protection
- 5-year warranty

Classifications

- Class I, Division 2, Groups A, B, C and D
- Class II, Division 2, Groups F and G
- Class III
- Class I, Zone 2, Groups IIA, IIB, IIC, Zone 22 (ANSI/UL 844)
- UL 1598A marine outside type
- UL 1598 wet locations
- UL 8750 LED safety
- UL 844 hazardous locations
- UL 924 emergency lighting
- 55°C ambient temperature

- CSA C22.2 #250.0-08
- CSA C22.2 #137-M1981
- NEMA 4X
- cUL listed
- ABS type approved
- IP66
- Tested to LM79 and LM80
- 1.24 spacing criteria-compliant

Standard Materials

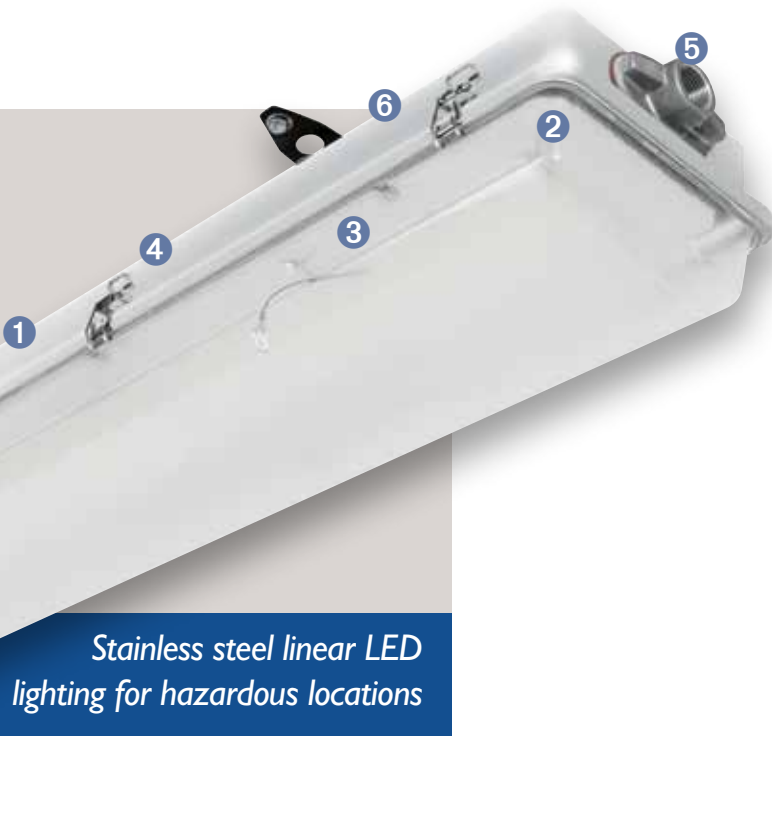
Body: fiberglass-reinforced PET resin
 Gasket: one-piece silicone
 Lens: acrylic
 Hubs (2): A360 aluminum (less than .4% copper content)
 Component tray: 5052-H32 aluminum (less than .4% copper content)
 Latches: stainless steel
 Mounting feet: stainless steel
 Hardware: stainless steel

Model	Length	Wattage	Lumens	Lumens per Watt	Comparable Fluorescent Luminaire	CRI	Operating Voltage	Ambient Temperature
MHD207L24UXX	4-ft	54w	7215	140	2 x 54w T5HO / 2 x 48w T12HO	82	120 - 277V 50/60HZ	55°C
MHD209L24UXX	4-ft	72w	9610	137	2 x 54w T5HO / 2 x 48w T12HO	82	120 - 277V 50/60HZ	55°C
MHD211L24UXX	4-ft	80w	11223	148	2 x 54w T5HO / 2 x 48w T12HO	82	120 - 277V 50/60HZ	55°C

MHDS LED

Key Features

- 1 Heavy-duty, continuous-seam-welded 1/16"-thick housing
- 2 Captive, impact-resistant 1/8"-thick lens with reinforced corners
- 3 Component-assembly tray held captive by two nylon-coated stainless steel cables
- 4 Toolless, cage-clamp terminal block
- 5 Two 3/4" NPT conduit hubs
- 6 Field-replaceable LED circuit boards and drivers with quick disconnects
- 7 Toolless entry via over-the-center cam latches



Stainless steel linear LED lighting for hazardous locations

Additional Features

- Vibration dampening, factory-installed mounting feet
- Dimmable driver
- Optional polycarbonate lens
- Stainless steel 45°, fixed-wall mounting kit available
- Standard 10kV surge protection
- 5-year warranty

Classifications

- Class I, Division 2, Groups A, B, C and D
- Class II, Division 2, Groups F and G
- Class III
- Zone 2, Groups IIA, IIB and IIC, Zone 22 (ANSI/UL 844)
- UL 1598A marine outside type
- UL 1598 wet locations
- UL 8750 LED safety
- UL 844 hazardous locations
- UL 924 emergency lighting
- cUL listed

- 55°C ambient temperature
- ABS type approved
- IP66
- 1.26 spacing criteria-compliant

Standard Materials

- Body: type 304 stainless steel (optional type 316)
- Gasket: one-piece silicone
- Lens: acrylic
- Hubs (2): A360 aluminum (less than .4% copper content)
- Component tray: 5052-H32 aluminum (less than .4% copper content)
- Latches: stainless steel
- Mounting feet: stainless steel
- Hardware: stainless steel

Model	Length	Wattage	Lumens	Lumens per Watt	Comparable Fluorescent Luminaire	CRI	Operating Voltage	Ambient Temperature
MHDS07L24UXX	4-ft	54w	7215	140	2 x 54w T5HO / 2 x 48w T12HO	82	120 - 277V 50/60HZ	55°C
MHDS09L24UXX	4-ft	72w	9610	137	2 x 54w T5HO / 2 x 48w T12HO	82	120 - 277V 50/60HZ	55°C
MHDS11L24UXX	4-ft	80w	11223	148	2 x 54w T5HO / 2 x 48w T12HO	82	120 - 277V 50/60HZ	55°C

MHDA LED

Key Features

- 1 Heavy-duty, continuous-seam-welded 1/16"-thick housing
- 2 Impact-resistant 1/8"-thick lens with reinforced corners
- 3 Component-assembly tray held captive by two nylon-coated, stainless steel cables
- 4 Toolless, cage-clamp terminal block
- 5 Two 3/4" NPT conduit hubs
- 6 Field-replaceable LED circuit boards and drivers with quick disconnects
- 7 Toolless entry via over-the-center cam latches



*Linear LED lighting
for hazardous locations*

Additional Features

- Vibration dampening, factory-installed mounting feet
- Dimmable driver
- Optional polycarbonate lens
- Stainless steel 45°, fixed-wall mounting kit available
- Standard 10kV surge protection
- 5-year warranty

Classifications

- Class I, Division 2, Groups A, B, C and D
- Class II, Division 2, Groups F and G
- Class III
- Class I, Zone 2, Groups IIA, IIB, IIC, Zone 22 (ANSI/UL 844)
- UL 1598A marine outside type
- UL 1598 wet locations
- UL 8750 LED safety
- UL 844 hazardous locations
- UL 924 emergency lighting
- 55°C ambient temperature

- cUL listed
- ABS type approved
- IP66
- 1.26 spacing criteria-compliant

Standard Materials

Body: 5052-H32 aluminum (less than .4% copper content) with baked-on white epoxy finish
 Gasket: one-piece silicone
 Lens: acrylic
 Hubs (2): A360 aluminum (less than .4% copper content)
 Component tray: 5052-H32 aluminum (less than .4% copper content)
 Latches: stainless steel
 Mounting feet: stainless steel
 Hardware: stainless steel

Model	Length	Wattage	Lumens	Lumens per Watt	Comparable Fluorescent Luminaire	CRI	Operating Voltage	Ambient Temperature
MHDA07L24UXX	4-ft	54w	7215	140	2 x 54w T5HO / 2 x 48w T12HO	82	120 - 277V 50/60HZ	55°C
MHDA09L24UXX	4-ft	72w	9610	137	2 x 54w T5HO / 2 x 48w T12HO	82	120 - 277V 50/60HZ	55°C
MHDA11L24UXX	4-ft	80w	11223	148	2 x 54w T5HO / 2 x 48w T12HO	82	120 - 277V 50/60HZ	55°C



Hazardous location expertise and technical support ensure optimal product selection for each environment

FPHB LED

Key Features

- 1 Sleek, debris-shedding design with drip edge
- 2 High-pressure hose tested to 1,500 PSI
- 3 NSF approved finish
- 4 Field-replaceable LED circuit boards and drivers with quick disconnects
- 5 Drop lens for increased uplight

Debris-shedding LED area lighting for harsh environments



Additional Features

- Optional emergency luminaire, 3 hour minimum
- 0-10% dimming option
- Optional anti-microbial cord
- 85 CRI on certain models
- Standard 10kV surge protection
- 5-year warranty

Standard Materials

Body: A360 aluminum (less than .4% copper content) with baked-on epoxy finish
 Gasket: silicone
 Lens: prismatic polycarbonate
 Hardware: stainless steel

Classifications

- UL 1598 wet locations
- UL 8750 LED safety
- UL 924 emergency lighting
- NSF-certified food equipment
- NEMA 4X
- IP66
- IP69K
- 1500 PSI hose-down
- 200-hour salt spray tested
- Natatorium rated
- DLC Listed (not all models listed. See DLC QPL for more information)

Model	Wattage	Lumens	Lumens per Watt	Comparable HID Luminaire	CRI	Operating Voltage	Ambient Temperature
FPHB12LUXX-85	133w	14150	106	400w MH	87	120 - 277V 50/60HZ, 347V/480V 60 Hz	55°C
FPHB15LUXX	160w	17586	110	400w-600w MH	86		55°C
FPHB20LUXX	205w	23750	116	750w MH	84		55°C

FPF LED

Key Features

- ① Patented liquid- and debris-shedding design
- ② Dual gasket seals (patent pending)
- ③ High-pressure hose tested to 1,500 PSI
- ④ 3' #16 AWG 3 conductor cable and cord grip
- ⑤ Single-bolt access to components
- ⑥ Optional quick disconnect 3P plug and receptacle with 6' cord
- ⑦ Field-replaceable LED circuit boards and drivers with quick disconnects



Debris-shedding linear LED lighting

Additional Features

- Diffused lens
- Heavy-duty extruded aluminum LED tray
- Optional emergency battery back-up with EM markings
- Optional stainless steel end caps
- Optional dimmable driver
- Standard 10kV surge protection
- 5-year warranty

Standard Materials

- Body/lens: DR acrylic
- LED tray: 6063-T5 aluminum
- Driver cover: 3105 H24 aluminum
- End caps: polycarbonate
- Gaskets: silicone
- Diffuser: acrylic
- Hardware: stainless steel

Classifications

- UL 1598 wet locations
- UL 8750 LED safety
- -20°C to 35°C ambient temperature
- CSA C22.2 No. 250.0-08
- NSF-certified food equipment
- NEMA 4X
- IP69K
- DLC listed
- LM79 and LM80

Model	Length	Wattage	Lumens	Lumens per Watt	Comparable Fluorescent Luminaire	CRI	Operating Voltage	Ambient Temperature
FPF04L2U	2-ft	33w	4169	128	2 X 24w T5HO	86	120V - 277V 50/60 Hz	-20°C < Tamb < 40°C
FPF07L4U	4-ft	65w	8337	128	2 X 54w T5HO	86	120V - 277V 50/60 Hz	-20°C < Tamb < 35°C
FPF14L8U	8-ft	130w	16674	128	4 X 54w T5HO	86	120V - 277V 50/60 Hz	-20°C < Tamb < 35°C

RIG-A-LITE Products

WFH LED

Key Features

- 1 Water-/debris-shedding housing design
- 2 Heavy-duty, continuous-seam-welded, 1/16"-thick housing
- 3 NSF-certified finish
- 4 Lens frame held captive by two nylon-coated stainless steel cables
- 5 Field-replaceable LED circuit boards and drivers with quick disconnects
- 6 Dual 1/2" NPT or single 3/4" NPT conduit hubs



High-bay lighting for hazardous and wet locations

Additional Features

- Captive hardware
- Optional hinged lens frame
- Pendant and cable mounting options
- Dimmable driver
- Meets USDA poultry inspection requirements
- Standard 10kV surge protection
- 5-year warranty

Classifications

- Class I, Division 2, Groups A, B, C, and D
- Class II, Division 2, Groups F and G
- Class III
- UL 1598 wet locations
- UL 8750 LED safety
- UL 844 hazardous locations
- NSF-certified food equipment

- NEMA 4X
- cUL listed
- DLC listed

Standard Materials

- Body: 5052-H32 aluminum (less than .4% copper content) with baked-on white epoxy finish
- Gaskets: one-piece silicone
- Lens: clear acrylic, prismatic acrylic or clear polycarbonate
- Hubs: A360 aluminum (less than .4% copper content)
- Hardware: stainless steel

Model	Length	Wattage	Lumens	Lumens per Watt	Comparable Fluorescent Luminaire	CRI	Operating Voltage	Ambient Temperature
WFHI50244SCA	4-ft	149w	14112	95	4 X 54w T5HO / 6 X 32w T8	83	120V - 277V 50/60 Hz, 347V/480V 60Hz	-20°C < Tamb < 50°C
WFHI50244SPA	4-ft	149w	13090	88	4 X 54w T5HO / 6 X 32w T8	83	120V - 277V 50/60 Hz, 347V/480V 60Hz	-20°C < Tamb < 50°C



Durable design and high-quality materials deliver exceptional illumination year after year in the most punishing environments

RIG-A-LITE Products

AVPH LED

Key Features

- 1 Compact luminaire with high lumen output
- 2 Rugged 5/32"-thick housing
- 3 Glare-reducing frosted globe
- 4 Field-replaceable LED circuit boards and drivers with quick disconnects
- 5 Standard protective guard

LED globe and guard lighting for hazardous locations

Additional Features

- Ceiling, pendant and wall mounting options
- No external fins
- Optional dimming driver
- 5-year warranty

Classifications

- Class I, Division 2, Groups A, B, C and D
- Zone 2, Groups IIA, IIB and IIC
- UL 1598A marine outside type
- UL 1598 wet locations
- UL 8750 LED safety
- UL 844 hazardous locations
- -20°C to 40°C ambient temperature
- NEMA 3, 4 and 4X
- cUL listed
- ABS type approved

Standard Materials

Body: A360 aluminum (less than .4% copper content) with baked-on gray epoxy finish
 Guard: A360 aluminum (less than .4% copper content) with baked-on gray epoxy finish
 Gasket: one-piece silicone
 Lens: borosilicate glass
 Hardware: stainless steel



Model	Wattage	Lumens (with frosted globe and guard)	Lumens per Watt	Comparable HID Luminaire	CRI	Operating Voltage	Ambient Temperature
AVPH20LUHFGXX	20w	1769	87	42w CFL	83	120 - 277V 50/60HZ	50°C

BVP LED

Key Features

- ① Compact luminaire with high lumen output
- ② Rugged 5/32"-thick housing
- ③ Glare-reducing frosted globe
- ④ Field-replaceable LED circuit boards and drivers with quick disconnects
- ⑤ Standard protective guard

Brass LED globe and guard lighting for marine and wet environments



Additional Features

- Ceiling, pendant and wall mounting options
- No external fins
- Optional dimming driver
- 5-year warranty

Classifications

- UL 1598A marine outside type
- UL 1598 wet locations
- UL 8750 LED safety
- -20°C to 25°C ambient temperature
- NEMA 3, 4 and 4X
- ABS type approved
- cUL listed

Standard Materials

Body: marine brass
 Guard: marine brass
 Gasket: one-piece silicone
 Lens: borosilicate glass
 Hardware: stainless steel

Model	Wattage	Lumens (with frosted globe and guard)	Lumens per Watt	Comparable HID Luminaire	CRI	Operating Voltage	Ambient Temperature
BVP20LUHFGXX	20w	1769	87	42w CFL	83	120 - 277V 50/60HZ	25°C

RIG-A-LITE Products

XPEL LED/XPEH LED

Key Features

- 1 Two adjustable high-lumen spotlights
- 2 Independent battery back-up system for exit signs and spotlights
- 3 Unit can power up to two optional remote spotlights
- 4 Field-replaceable LED circuit boards and drivers with quick disconnects
- 5 Emergency battery back-up integral to sign (no additional enclosure required)
- 6 3-hour emergency operation
- 7 Edge-lit sign

Explosionproof LED emergency light and exit sign

Additional Features

- Captive, hinged-access door
- Wide- and narrow-beam optics available
- Separate push-to-test and pilot light for local and remote heads
- Separate sealed NiCad batteries for exit sign
- Alternate exit legend and languages available
- Single- or double-sided option
- Three 1" NPT hubs
- Red or green LED options

Classifications

- Class I, Division I, Groups C and D
- Class II, Division I, Groups E, F and G
- Class III
- Zone I, Groups IIA and IIB
- UL 1598A marine outside type
- UL 1598 wet locations
- UL 8750 LED safety
- UL 844 hazardous locations
- UL 924 emergency lighting
- 10°C to 35°C ambient temperature (XPEH green)
- 10°C to 45°C ambient temperature (XPEH red)
- NEMA 4X
- IP65

- cUL listed
- NFPA 70- and NFPA 101-compliant

Standard Materials

Body: A360 aluminum (less than .4% copper content)
with baked-on gray epoxy finish

Gasket: one-piece neoprene

Sign: acrylic

Hardware: stainless steel



XPS LED/XPEX LED HLEX LED/HLS LED

Key Features

- 1 Emergency battery back-up integral to sign (no additional enclosure required)
- 2 3-hour emergency operation
- 3 Optional battery back-up self-diagnostic feature
- 4 Field-replaceable LED circuit boards and drivers with quick disconnects
- 5 Edge-lit sign

Explosionproof LED lighting

Additional Features

- Wall, pendant and end mounting options
- Custom colors and languages available
- Single- or double-sided option
- Sealed NiCad batteries
- Three 1/2" NPT hubs
- Red or green LED options

Classifications

- Class I, Division 1, Groups C and D (XPS/XPEX)
- Class I, Division 2, Groups A, B, C and D (HLEX/HLS)
- Class II, Division 1, Groups E, F and G (XPS/XPEX)
- Class II, Division 2, Groups F and G (HLEX/HLS)
- Class III
- Class I, Zone 1, Groups IIA and IIB (XPS/XPEX)
- Zone 2, Groups IIA, IIB + H2 and IIC (XPS/XPEX)
- UL 1598A marine outside type
- UL 1598 wet locations
- UL 8750 LED safety
- UL 844 hazardous locations
- UL 924 emergency lighting (XPEX)
- 40°C ambient temperature (green) (XPS/XPEX)
- 55°C ambient temperature (red) (XPS/XPEX)
- 40°C ambient temperature (green) (HLEX/HLS)
- 55°C ambient temperature (red) (HLEX/HLS)
- IP65

- NFPA 70- and NFPA 101-compliant

Standard Materials

Body: A356T6 aluminum (less than .4% copper content) with baked-on gray epoxy finish

Gasket: one-piece silicone

Sign: acrylic

Hardware: stainless steel





8500 Hansen Road
Houston, TX 77075
Phone: (713) 943-0340
azz.com/rigalite