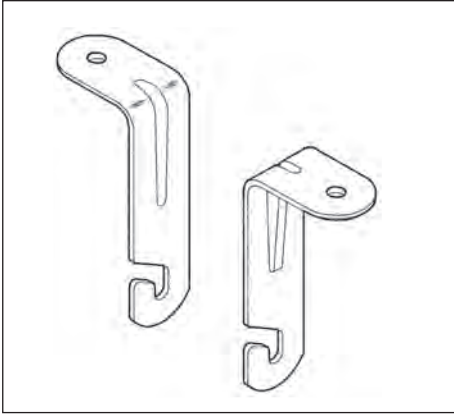


FLUORESCENT FPF Series

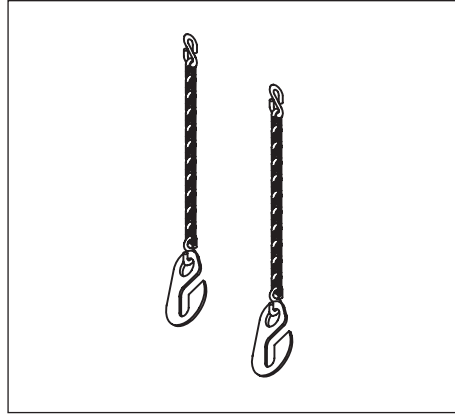
Non-Metallic Housing • UL 1598 • CUL • Wet Locations • High Pressure Hose Down • Indoor or Outdoor • NSF Certified

Accessories



Fixed Mounting Bracket Kit

Stainless Steel - For 3/8 in. Bolts (not provided)
Catalog Number: FPFXDMKT
Shipping Weight: 0.4 lbs.



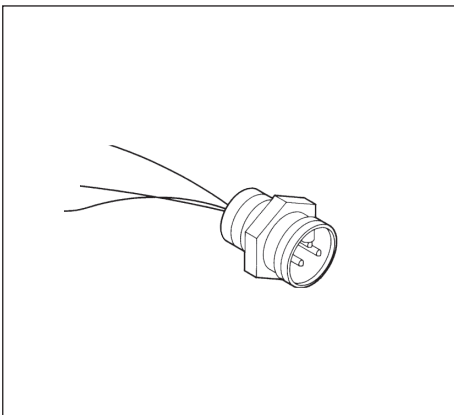
Chain Mounting Kit

Stainless Steel
Catalog Number: FPFCKMT1
Shipping Weight: 0.2 lbs.



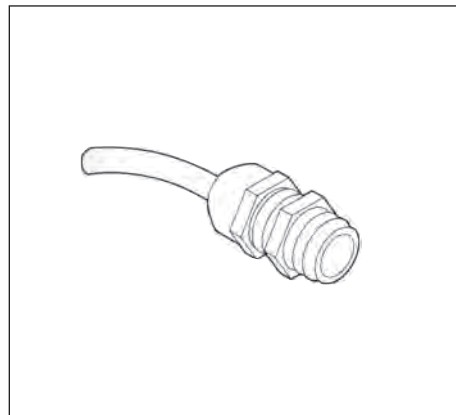
Stainless Steel Band Clamp

Catalog Number: FPFBNDMKT
Shipping Weight: 1.0 lbs.



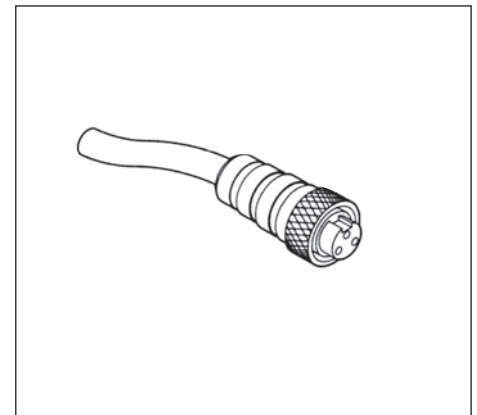
Mini Receptacle 3P Male

Catalog Number: 64005
Shipping Weight: 0.1 lbs.



Pigtail Assembly- 3 ft. Cable

Other Lengths Available - Consult Factory
Catalog Number: 53108
Shipping Weight: 0.4 lbs.



Mini Plug 3P- 6 ft. Mini Cable

Other Lengths Available - Consult Factory
Catalog Number: 60006
Shipping Weight: 0.6 lbs.



Polycarbonate Endcap Kit

Includes All Gaskets Glued in Place
Catalog Number: 53101
Shipping Weight: 3 lbs.



Stainless Endcap Kit

Includes All Gaskets Glued in Place
Catalog Number: 53101SS
Shipping Weight: 2.5 lbs.